

A MARLEY ENGINEERED PRODUCTS BRAND

THIS CATALOG CONTAINS PART NUMBERS FOR THE MOST COMMON REPLACEMENT PARTS FOR FAHRENHEAT HEATERS SHOWN IN THE TABLE OF CONTENTS. ADDITIONAL PARTS FOR THESE HEATERS MAY BE AVAILABLE - CONSULT FACTORY FOR AVAILABILITY. PARTS FOR FAHRENHEAT HEATERS NOT LISTED IN THE TABLE OF CONTENTS MAY BE AVAILABLE - CONSULT FACTORY FOR AVAILABILITY.

TABLE OF CONTENTS

BASEBOARD

F2500 & PLF..... 2

WALL HEATERS

FSSHO & FSSWH 3

FZL 4

FFR 4

FFC 4

SPECIALITY HEATERS

QTS 5

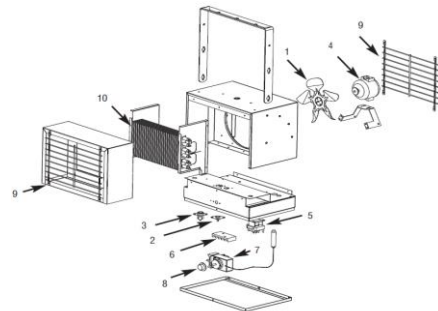
UNIT HEATERS

FUH 5

PORTABLE

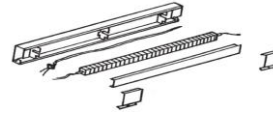
NPH4A 5

FBE 6



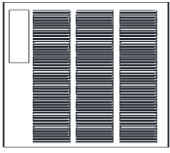


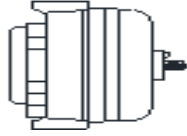
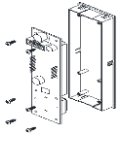
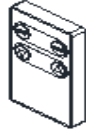
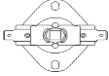
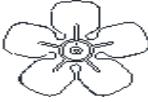
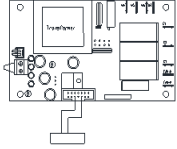

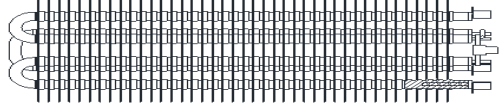
FOR SERVICE PARTS CONTACT CARROLL PARTS 800-654-3545

F2500 SERIES ELEMENTS							
1802-11021-003	1802-11021-007	1802-11021-011	1802-2044-017	1802-2044-023	1802-2094-015		
F2512NWCA	F25126NWCA	F2513NWCA	F2514NWCA	F2515NWCA	F2516NWCA		
1802-11021-001	1802-11021-005	1802-11021-009	1802-2044-015	1802-2044-021	1802-2094-017		
F2542NWCA	F25426NWCA	F2543NWCA	F2544NWCA	F2545NWCA	F2546NWCA		
1802-2094-001	1802-2094-004	CONTROL BOX COVER			MODEL		
F2548NWCA	F25408NWCA						
FACE PLATE				KNOB		THERMOSTATS	
COLOR				GA.	PART NUMBER	TA1ANWCA	42521-032-11
NORTHERN WHITE				24	1402-2261-600	TAZANWCA	42521-032-09
NORTHERN WHITE				THERMAL CUTOUT			
COLOR	FEET	GA.	PART NUMBER				
NORTHERN WHITE	2	22	1402-2122-623				
NORTHERN WHITE	2.5	22	1402-2122-616				
NORTHERN WHITE	3	22	1402-2122-617				
NORTHERN WHITE	4	22	1402-2122-618				
NORTHERN WHITE	5	22	1402-2122-619	4520-2018-000	4520-2018-001	4520-2018-002	4520-2018-003
NORTHERN WHITE	6	22	1402-2122-620	F2512NWCA	F25126NWCA	F2513NWCA	F2514NWCA
NORTHERN WHITE	8	22	1402-2122-621	F2542NWCA	F25426NWCA	F2543NWCA	F2544NWCA
				F2515NWCA	F2516NWCA	F2545NWCA	F2546NWCA
							F25408NWCA

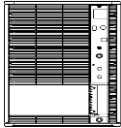
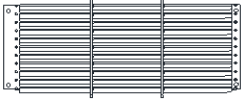
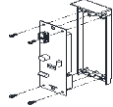
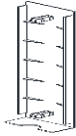

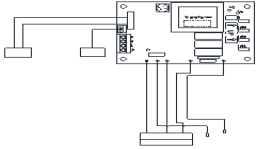


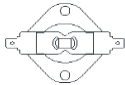
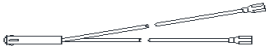


PLF SERIES BASEBOARD											
ELEMENT						LIMIT					
1802-2068-000	1802-2068-001	1802-2068-002	1802-2066-003	1802-2068-004	1802-2068-016	410122002	410122003	410122004	410122005	410122006	410122008
PLF500	PLF750	PLF1000	PLF1250	PLF1500	PLF2004	PLF500	PLF750	PLF1000	PLF1250	PLF1500	PLF2004
						PLF504	PLF754	PLF1004	PLF1254	PLF1504	
1802-2068-011						1802-2068-012					
PLF504						PLF754					
1802-2068-013						1802-2068-014					
PLF1004						PLF1254					
1802-2068-015						1802-2068-016					
PLF1504						PLF2004					
FRONT COVER						GRILLE					
1402-2066-600	1402-2066-601	1402-2066-602	1402-2066-603	1402-2066-604	1402-2066-605	2501-2012-012	2501-2012-013	2501-2012-014	2501-2012-015	2501-2012-010	2501-2012-011
PLF500	PLF750	PLF1000	PLF1250	PLF1500	PLF2004	PLF500	PLF750	PLF1000	PLF1250	PLF1500	PLF2004
PLF504	PLF754	PLF1004	PLF1254	PLF1504		PLF504	PLF754	PLF1004	PLF1254	PLF1504	
JUNCTION BOX COVER ALL MODELS 1800-2022-000						THERMOSTAT PTZDS					
MODEL						KNOB		THERMOSTATS			
PTZDS						3301-2011-000		5813-2015-000			












FSSHO SERIES					
GRILLE		GRILLE TABS (2 REQ)		LIGHT	MOTOR
					
2501-11022-000 FSSHO4004		1402-2120-002 FSSHO4004		3510-2017-005 FSSHO4004	3900-2002-522 FSSHO4004
DISPLAY ASSM.	REMOTE	MANUAL LIMIT	FAN BLADE	CTRL PWR BOARD	DISCONNECT SWITCH
					
1016-11199-000 FSSHO4004	1414-11037-001 FSSHO4004	4520-2027-000 FSSHO4004	490030103 FSSHO4004	1414-11043-000 FSSHO4004	410170001 FSSHO4004
ELEMENT					
					
1802-11005-001 FSSHO4004					







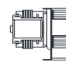
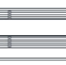
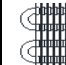


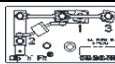




FSSWH SMART SERIES						
GRILLE PANEL		GRILLE ASSY INSERT		DISPLAY BEZEL	BOTTOM BEZEL	REMOTE
						
2501-11003-003 FSSWH1502 FSSWH2024		1016-11063-000 FSSWH1502 FSSWH2024		1016-11035-003 ALL MODELS	1219-11004-000 ALL MODELS	1414-11017-001 ALL MODELS
CNTRL PWR BOARD		BLOWER MOTOR		ELEMENT		MANUAL LIMIT
						
1414-11007-002 FSSWH1502	1414-11007-003 FSSWH2024	1225-11001-000 FSSWH1502	1225-11001-001 FSSWH2024	302023802 FSSWH1502	302023805 FSSWH2024	4520-11005-000 ALL MODELS
LIGHT						
						
3510-2010-000 FSSWH1502		3510-2010-001 FSSWH2024				



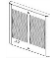




FZL-SERIES								
GRILLE	KNOB	FAN DELAY	MANUAL LIMIT	FAN BLADE	MOTOR	ELEMENTS		THERMOSTAT
								
2501-11028-000 FZL3004F FZL4004F	3301-11014-001 FZL3004F FZL4004F	410074000 FZL3004F FZL4004F	4520-2027-000 FZL3004F FZL4004F	490030103 FZL3004F FZL4004F	3900-2010-000 FZL3004F FZL4004F	302012809 FZL3004F	302012808 FZL4004F	5813-2027-000 FZL3004F FZL4004F



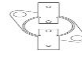


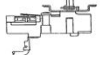



FZL-F



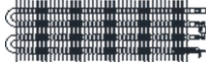







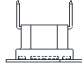





FFR SERIES							
KNOB	GRILLE	LIGHT		BLOWER ASM.		ELEMENT	
							
3301-11015-002 FFR1500T2 FFR2004T2	2501-11031-000 FFR1500T2 FFR2004T2	3510-2010-000 FFR1500T2	3510-2010-001 FFR2004T2	1225-2002-000 FFR1500T2	1225-2002-001 FFR2004T2	302023802 R1500	302023805 R2004
CLIP N FIT BOARD	THERMOSTAT	TEMPERATURE REGULATOR		HI-LIMIT			
							
1249-2005-000 FFR1500T2 FFR2004T2	410130001 FFR1500T2 FFR2004T2	410143000 FFR1500T2 FFR2004T2		4520-11010-001 FFR1500T2 FFR2004T2			

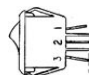



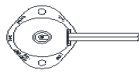


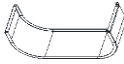
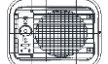





FFC WALL HEATER						
MENT (INCLUDES LIMIT & ONE SHOT F	MOTOR	GRILLE	THERMOSTAT	FAN IMPELLER	PARTS KIT	
					PICTURE NOT AVAILABLE	
1802-11014-011 FFC1012	1802-11014-010 FFC1512	3900-11032-000 FFC1012	3900-11032-001 FFC1048 FFC1548 FFC2048	2501-11024-000 ALL MODELS	5813-2090-000 ALL MODELS	2002-11004-000 ALL MODELS
1802-11014-014 FFC1048	1802-11014-013 FFC1548					1205-11028-500 ALL MODELS
	1802-11014-012 FFC2048					




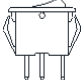
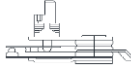
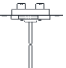

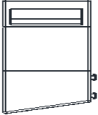
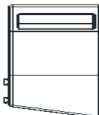
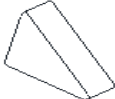




FTS SERIES							
ELEMENTS		MOTOR ASSEMBLY		SELF HOLD LIMIT	FAN DELAY	KNOB	THERMOSTAT
							
302023811 FTS1100 302023802 FTS1500T	302023803 FTS1104 302023806 FTS1504T	1225-2002-000 FTS1100 FTS1500T	1225-2002-001 FTS1104 FTS1504T	4520-11011-000 FTS1100 FTS1500T 4520-11011-001 FTS1104 FTS1504T	410074000 FTS1100 FTS1500T FTS1104 FTS1504T	3301-2020-006 FTS1500T FTS1504T	410129001 FTS1500T FTS1504T
PILOT LIGHT		GRILLE		THERMAL CUTOFF			
							
3510-2010-000 FTS1100 FTS1500T	3510-2010-001 FTS1104 FTS1504T	2501-2039-000 FTS1100 FTS1500T		4520-2030-000 FTS1100 FTS1500T FTS1104 FTS1504T			



FUH SERIES				
ELEMENT	MOTOR	FAN BLADE	KNOB	THERMOSTAT
				
302006807 FUH54C	302006810 FUH724A	3900-2008-000 FUH54C FUH724A	1210-2017-000 FUH54C FUH724A	3301-2014-006 FUH54C FUH724A
POWER BLOCK	RELAY	HI LIMIT	FAN DELAY	LIGHT
				
5823-0004-005 FUH54C	5823-0004-000 FUH724A UH724STA	5018-11006-000 FUH724A UH724STA	410027000 FUH54C FUH724A	410148000 FUH54C FUH724A
LOUVERS	LOUVER SPRING	MT. BRACKET		
				
3503-2004-109 FUH54C FUH724A	5208-7005-001 FUH54C FUH724A	310876001 FUH54C FUH724A		

NPH4A					
ROCKER SWITCH**	FAN BLADE	ELEMENT***	MOTOR	MANUAL RESET	THERMOSTAT
					
S99814893A000 NPH4A	1210-2000-001 NPH4A	1802-0087-038 NPH4A	3900-2002-506 NPH4A	4520-11004-000 NPH4A	5813-2018-000 NPH4A
STAND	CONTROL COVER	GRILLE	GUARD	T'STAT KNOB	STAND KNOB**
					
5210-2000-002 NPH4A	1402-0336-000 NPH4A	1402-2154-001 NPH4A	2504-0011-001 NPH4A	3301-2012-001 NPH4A	3301-2018-000 NPH4A
CORD					
					
1420-11012-000 NPH4A					

NOTE * INDICATES QUANTITY

FBE SERIES					
ELEMENT		SWITCH	THERMOSTAT	LIMIT	KNOB
					
1802-2087-000 FBE15002CA		5216-2027-000 FBE15002CA	5813-2058-001 FBE15002CA	4520-2011-004 FBE15002CA	3301-2011-003 FBE15002CA
END CAP RIGHT	END CAP LEFT	LEG RIGHT	LEG LEFT	FACE PLATE	
					
1800-2047-001 FBE15002CA	1800-2048-001 FBE15002CA	3507-2004-001 FBE15002CA	3507-2005-001 FBE15002CA	1402-2122-626 FBE15002CA	
CORD		CONTROL COVER			
					
1420-11013-000 FBE15002CA		1402-2243-001 FBE15002CA			

