



# MUH Series Modular Unit Heaters



## Installation, Operation & Maintenance Instructions

### Specifications

Basic Model No.	Height in (mm)	Width in. (mm)	Depth in. (mm)	Mounting Weight lbs. (kg)	Wiring Compartment Volume				
MUH0381	16 (406.4)	14 (355.6)	7 1/2 (190.5)	27 (12.2)	90 in <sup>3</sup> (14.70 cm <sup>3</sup> )				
MUH0321				27 (12.2)					
MUH0371				27 (12.2)					
MUH0341				30 (13.6)					
MUH0581				27 (12.2)					
MUH0521				27 (12.2)					
MUH0571				27 (12.2)					
MUH0541				30 (13.6)					
MUH0331				30 (13.6)					
MUH0361				30 (13.6)					
MUH0531				30 (13.6)					
MUH0561				30 (13.6)					
MUH078				21 3/4 (552.5)		19 (482.6)	7 1/2 (190.5)	38 (17.2)	100 in <sup>3</sup> (1639 cm <sup>3</sup> )
MUH072								38 (17.2)	
MUH077								38 (17.2)	
MUH074	38 (17.2)								
MUH108	38 (17.2)								
MUH102	38 (17.2)								
MUH107	38 (17.2)								
MUH104	38 (17.2)								
MUH073	38 (17.2)								
MUH076	38 (17.2)								
MUH103	38 (17.2)								
MUH106	38 (17.2)								

Basic Model No.	Height in (mm)	Width in. (mm)	Depth in. (mm)	Mounting Weight lbs. (kg)	Wiring Compartment Volume				
MUH158	21 3/4 (552.5)	19 (482.6)	12 3/4 (323.9)	54 (24.5)	140 in <sup>3</sup> (2295 cm <sup>3</sup> )				
MUH152				50 (22.7)					
MUH154				50 (22.7)					
MUH208				60 (27.2)					
MUH202				55 (24.9)					
MUH204				55 (24.9)					
MUH156				55 (24.9)					
MUH206				55 (24.9)					
MUH252				30 (76.2)		26 5/8 (676.4)	11 3/4 (298.5)	89 (40.4)	504 in <sup>3</sup> (8260 cm <sup>3</sup> )
MUH254								89 (40.4)	
MUH308	89 (40.4)								
MUH302	89 (40.4)								
MUH304	89 (40.4)								
MUH256	89 (40.4)								
MUH306	89 (40.4)								
MUH402	30 (76.2)	26 5/8 (676.4)	17 1/4 (435.1)		119 (54.0)			648 in <sup>3</sup> (10620 cm <sup>3</sup> )	
MUH404				119 (54.0)					
MUH508				119 (54.0)					
MUH502				119 (54.0)					
MUH504				119 (54.0)					
MUH406				119 (54.0)					
MUH506				119 (54.0)					

# IMPORTANT INSTRUCTIONS



## WARNING



WHEN USING ELECTRIC APPLIANCES, BASIC PRECAUTIONS SHOULD ALWAYS BE FOLLOWED TO REDUCE THE RISK OF FIRE, ELECTRIC SHOCK, AND INJURY TO PERSONS, INCLUDING THE FOLLOWING:

1. Read all instructions before installing or using this heater.
2. This heater is a commercial/industrial product not intended for use in a residential setting.
3. This heater is hot when in use. To avoid burns, do not let bare skin touch hot surfaces. Keep combustible materials, such as furniture, pillows, bedding, papers, clothes, etc. and curtains at least 3 feet (0.9 m) from the front of the heater.
4. Extreme caution is necessary when any heater is used by or near children or invalids and whenever the heater is left operating and unattended.
5. This heater has hot and arcing or sparking parts inside and is not intended for use in hazardous atmospheres where flammable vapors, gases, liquids or other combustible atmospheres as defined in the National Electrical Code are used or stored. Failure to comply can result in explosion or fire.
6. Do not operate any heater after it malfunctions. Disconnect power at service panel and have heater inspected by a reputable electrician before using.
7. Do not use outdoors.
8. To disconnect heater, turn controls to off, and turn off power to heater circuit at main disconnect panel.
9. Do not insert or allow foreign objects to enter any ventilation or exhaust opening as this may cause an electric shock, fire, or damage to the heater.
10. To prevent a possible fire, do not block air intake or exhaust in any manner.
11. Use this heater only as described in this manual. Any other use not recommended by the manufacturer may cause fire.
12. This heater is not intended for use in special environments. Do not use in damp or wet locations such as marine or greenhouse or in areas where corrosive or chemical agents are present.
13. When installing, see INSTALLATION INSTRUCTIONS for additional warnings and precautions.
14. For safe and efficient operation, and to extend the life of your heater, keep your heater clean - See MAINTENANCE INSTRUCTIONS.

## SAVE THESE INSTRUCTIONS

# INSTALLATION INSTRUCTIONS



## WARNING



To prevent a possible fire, injury to persons or damage to the heater, adhere to the following:

1. Disconnect all power coming to heater at main service panel before wiring or servicing.
- Important Note:** This heater must be installed by a qualified person.
2. All wiring procedures and connections must be in accordance with the National and Local Codes having jurisdiction and the heater must be grounded.
  3. Verify the power supply voltage coming to heater matches the ratings as shown on the heater nameplate.
- CAUTION:** ENERGIZING HEATER AT A VOLTAGE GREATER THAN THE VOLTAGE PRINTED ON THE NAMEPLATE WILL DAMAGE THE HEATER AND VOID THE WARRANTY AND COULD CAUSE A FIRE.
4. To reduce the risk of fire, do not store or use gasoline or other flammable vapors and liquids in the vicinity of the heater.
  5. The ceiling or wall mounting structure and the anchoring provisions must be of sufficient strength to support the combined weight of the heater and mounting bracket.
  6. All built-in thermostats: If the heater is used to prevent piping or liquids from freezing, and if the thermostat is set below 45° F (7°C), the fan must run continuously.
  7. The heater must be mounted at least 7' (2134 mm) above the floor to avoid accidental contact with the fan blade which could cause injury.
  8. Keep at least 5' clearance in front of the heater. Refer to Table 1 for side, top and back clearance requirements.
  9. Do not mount mercury type thermostat directly on unit. Vibration could cause heater to malfunction.

### Heater Location Instructions

Arrange units so that discharge air streams:

- a. are subjected to a minimum of interference from columns, machinery and partitions;
- b. wipe exposed walls without blowing directly at them;
- c. are directed away from room occupants in comfort heating;
- d. are directed along the windward side when installed in a building exposed to a prevailing wind.

Locate thermostats approximately 5' (1524mm) above the floor on interior partition walls or post away from cold drafts, internal heat sources and away from heater discharge air streams.

Small rooms can be heated by one unit heater.

Large rooms require multi-unit installations. Number and capacity of units will be determined by volume of building and square feet of floor area to be heated. Arrange units to provide perimeter air circulation where each unit supports the air stream from another.

## Mounting the Heater - General

The heater may be mounted to discharge the heated air either horizontally or vertically. When the heater is mounted for vertical discharge, it is recommended that the heater be positioned so that the access door will open away from the wall to provide greater access to the wiring and control compartment. If the heater is to be mounted with the access door facing a wall, the heater must be mounted far enough from that wall to allow full opening of the access door (a distance approximately equal to the width of the heater, check clearance before installing). Refer to Table 1 for wall and ceiling clearances before mounting heater.

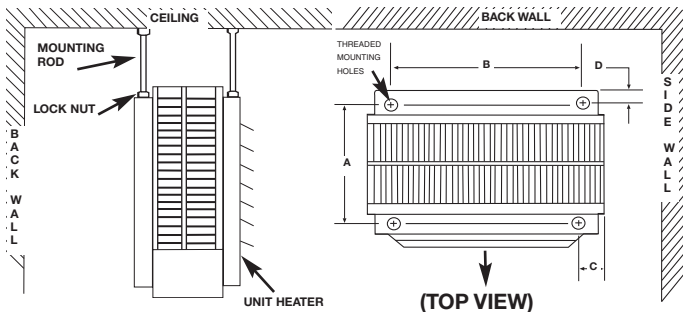
The heater may be mounted for either vertical or horizontal discharge by the use of threaded rods. (Refer to Table 2 for threaded rod sizes required.) Observe the detailed procedures in the following installation instructions.

The heater may also be suspended from the wall or ceiling by means of an optional mounting bracket (type MMB or MCMB) which permits horizontal pivoting of the heater.

After the heater is installed, the louvers may be positioned to direct the heated air in the desired direction. When the heater is installed for horizontal discharge, the louvers should direct the air either straight ahead or downward. Directing the air upward may cause the heated air to remain in the ceiling area and waste energy.

**Table 1. Wall and Ceiling Clearance, inches (mm)**

Unit	Discharge	Ceiling	Side Wall	Back Wall
3 & 5 kW	Horiz.	2 (50.8)	6 (152.4)	9 (228.6)
	Vert.	6 (152.4)	18 (457.2)	18 (457.2)
7.5 to 10 kW	Horiz.	6 (152.4)	6 (152.4)	13 (330.2)
	Vert.	6 (152.4)	24 (609.6)	24 (609.6)
15 to 10 kW	Horiz.	6 (152.4)	9 (228.6)	12½ (317.5)
	Vert.	6 (152.4)	24 (609.6)	24 (609.6)
25 to 50 kW	Horiz.	16 (406.4)	12 (304.8)	18½ (470.0)
	Vert.	12 (304.8)	39 (914.4)	39 (914.4)



**Figure 1. Horizontal Discharge Mounting and Spacing.**

**Table 2. Rod Thread and Spacing Dimensions, inches (mm) for Horizontal Discharge**

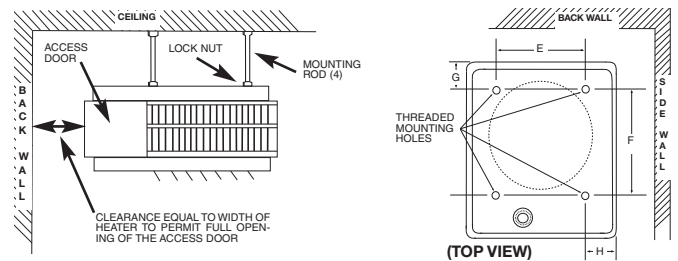
Unit	Rod Thread Type	A	B	C	D
3 - 5 kW	5/16 - 18	6 1/16 (153.9)	6 (152.4)	4 1/16 (103.1)	3/4 (19.0)
7.5 - 10 kW		11 3/8 (289.0)	8 7/8 (225.6)	5 1/8 (130.3)	3/4 (19.0)
15 - 20 kW		10 9/16 (268.2)	14 - 12 (368.3)	6 3/16 (157.2)	5/8 (16.0)
25 - 30 kW	3/8 - 16	15 15/16 (404.9)	14 - 12 (368.3)	6 3/16 (157.2)	5/8 (16.0)
40 - 50 kW					

## Horizontal Discharge (Rod-mount from Ceiling)

1. Install four threaded mounting rods in the threaded holes and secure in place using lock nuts. (See Table 2).
2. Securely attach the four mounting rods to the ceiling. (Refer to Table 1 for wall and ceiling clearances, and Table 2 for mounting rod spacing).

**Table 3. Rod Thread and Spacing Dimensions, inches (mm) for Vertical Discharge**

Unit	Rod Thread Type	E	F	G	H
3 - 5 kW	5/16 - 18	6 (152.4)	9 3/4 (247.7)	2 (50.8)	4 1/16 (103.1)
7.5 - 20 kW		8 7/8 (225.6)	14 5/8 (371.6)	2 (50.8)	5 1/8 (130.3)
25 - 30 kW	3/8 - 16	14 1/2 (368.3)	21 1/4 (539.8)	2 3/16 (56.0)	6 3/16 (157.2)



**Figure 2. Vertical Discharge Mounting and Rod Spacing**

## Vertical Discharge (Rod-Mount from Ceiling)

1. Remove bolts from the threaded holes in the back of the heater.
2. Install four threaded mounting rods in the threaded holes and secure in place using lock nuts.
3. Securely attach the four mounting rods to the ceiling. (Refer to Table 1 for wall and ceiling clearances, and Table 3 for mounting rod spacing dimensions.)

## Wiring Branch Circuit (Power)

1. Connect heater only to the voltage, amperage and frequency specified on the nameplate.
2. Field wiring must be properly sized to carry the amperage in accordance with the NEC.
3. The access door is hinged. There are either one or two screws accessible from the side that must be loosened to gain access. These screws are the captive type; do not try to remove them.
4. A knockout is provided in the back of the heater close to the power terminal block and the control terminal board. The control terminal board knockout is 1/2 inch (12.7 mm) conduit size. The power terminal block knockout is multiple diameter. Use the diameter that fits the required conduit size.
5. A ground terminal is provided near the power terminal board. The ground wire should be connected before other connections are made.
6. The power terminal block is equipped with box terminals sized to accept the correct size power supply wire. Branch circuit wire rated min 600V, 60° C is acceptable for heaters rated up to 80 amps. For heaters rated more than 80 amps, branch circuit wire must be rated at least 75°C. Either aluminum or copper wire is satisfactory for connection to the heater power terminal block box terminal. Copper wire is recommended and must be used with built-in disconnect switch.

- Each heater has a wiring diagram affixed to the inside of the access door. Consult this diagram before making any field connections.

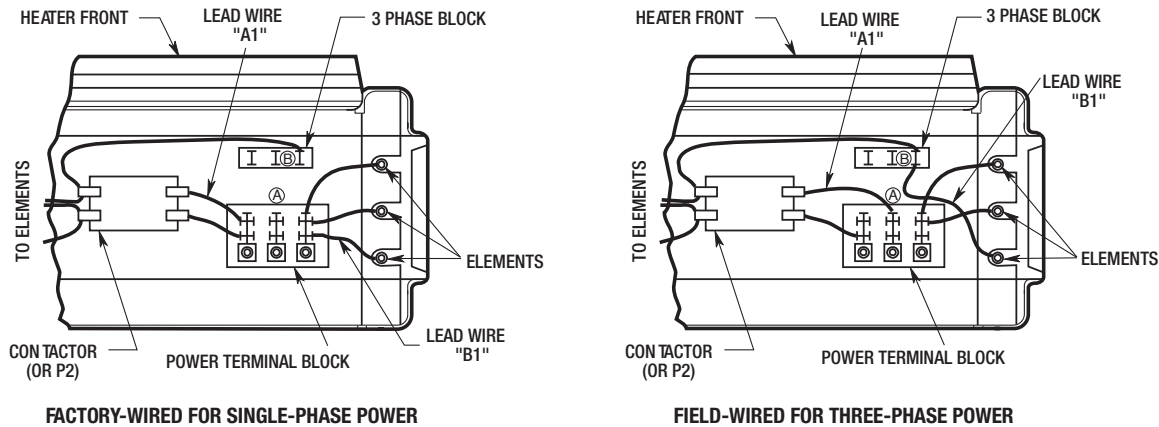
**Important Note - Installation Screw Lug Torque:**

During transportation it is possible screw lug connections can loosen. After installation, before power is turned on to the heater, check all screw lug connections for tightness to a recommended minimum torque as specified on the label affixed to the unit. Loose connections may present a hazard.

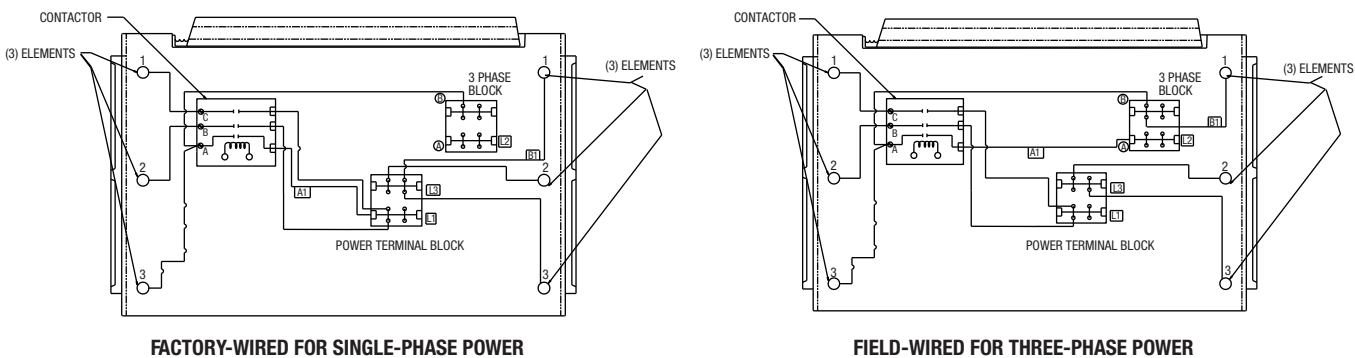
- Single or three-phase power connections may be used with heater models MUH0521, MUH0581, MUH072, MUH078, MUH102, MUH108, MUH158.

These units are factory wired for single-phase operation. If these heaters are for use with three-phased power, reconnect the wires as indicated in the wiring diagram attached to the heater. Additional information can be found by looking at the wiring illustrations in Figures 3a through 3b and following the directions shown below.

On models MUH0521, MUH0581, MUH072, MUH078, MUH102, and MUH108 (Figures 3a and 3b), move only the two wires marked "A1" and marked and marked "B1"; do not move or change any other wiring. The element lead wire marked "B1" which is factory connected to the power terminal block must be moved to terminal "B" on the three-phase terminal block.



**Figure 3a. Wiring Connections for Single-Phase and Three-Phase Power (MUH0521, MUH0581)**



**Figure 3b. Wiring Connections for Single-Phase and Three-Phase Power (MUH072, MUH078, MUH102, MUH108)**

For MUH072, MUH078, MUH102, and MUH108, wire "A1" must be moved from the power terminal block to the "A" terminal of the 3-phase terminal block (Figure 3b). For MUH0521 and MUH0581, wire "A1" must be moved to the "A" (middle) terminal of the power terminal block (Figure 3a).

Model MUH158 (Figure 3c) has two three-phase terminal blocks located adjacent to the relays (contactors). Move only the two wires marked "C1" and "D1" on each of these two three-phase terminal blocks to terminal "B." Do not move or change any other wires.

- Electrical Accessories, either kits or factory-installed options, are shown connected by a dash line on the heater wiring diagram.
- 208/240 VOLT HEATER:** The heaters are wired for 240V from factory. When heater is to be connected to 208V supply, the transformer leads **MUST BE** interchanged. For units rated 30/40kW or higher, interchange ORANGE and RED primary leads. The black colored lead is the COMMON for the transformer (50VA) provided with the high wattage units. For lower kW rated heaters, interchange BLACK and RED primary leads. The WHITE colored lead is the COMMON for the control transformer provided with these heaters. Always refer to the wiring diagram on the cover of the heater before making this reconnection of transformer primary leads.

**CAUTION:** To prevent a possible fire or damage to heater, if a two stage thermostat is provided, it **MUST** be wired so

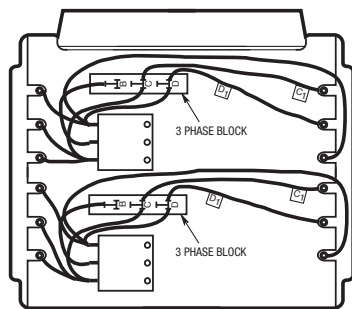
Stage 1 turns the rear heating element (where fan control is located) on first and off last. Stage 2 **MUST** turn on elements other than the rear element as the need for additional heat is required and will turn on last and off first.

### Control Wiring

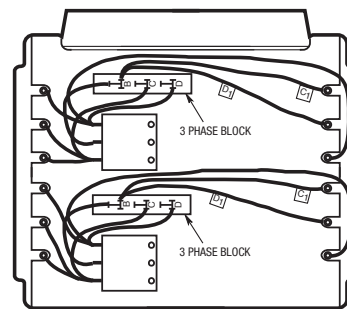
**⚠ WARNING ⚠**

LINE VOLTAGE IS PRESENT ON SOME OF THE TERMINALS ON THE CONTROL TERMINAL BOARD. ALWAYS DISCONNECT THE POWER FROM THE HEATER BEFORE MAKING ANY CONNECTIONS TO THE CONTROL BOARD TO PREVENT ELECTRIC SHOCK HAZARD.

- Use min. 600 volts, NEC Class 1 insulated wire for all control circuit wiring.
  - Use a crimp-on type fork terminal on the wire ends that attach to the control terminal board if more than one connection is to be made under the terminal screw.
  - On units not provided with internal contactor (3 & 5 KW), refer to Figure 4 for wiring diagram.
- NOTE:** Thermostat and control circuit wiring must be suitable to handle the full load of the heater (example MUH0581 is rated 24 amps)
- On units provided with internal contactor (units rated 7 KW and higher) refer to Figure 5 for wiring diagram. Control wiring must be rated minimum 18 AWG.



FACTORY-WIRED FOR SINGLE-PHASE POWER



FIELD-WIRED FOR THREE-PHASE POWER

Figure 3c. Wiring Connections for Single-Phase and Three-Phase Power (MUH158)

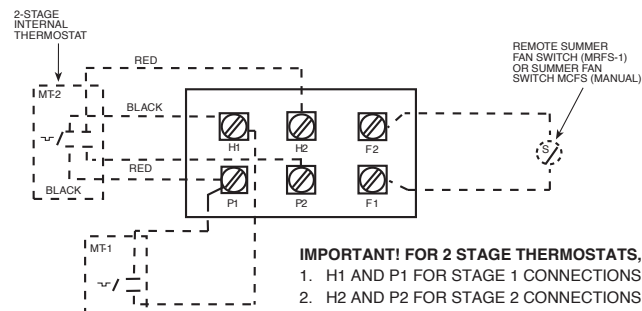


Figure 4. Control Terminal Board (for Heaters Without Contactors)

NOTES:

- THIS STYLE CONTROL TERMINAL BOARD USED WITH MODELS MUH0321, MUH0371, MUH0381, MUH0521, MUH0571, AND MUH0581.
- WHEN UNIT IS WIRED FOR SINGLE-PHASE, JUMPER H1 TO H2. IF SINGLE-POLE THERMOSTAT IS USED WITH SINGLE-PHASE UNIT, CONNECT THERMOSTAT LEADS TO P1 AND H1.
- EXTERNAL LINE VOLTAGE THERMOSTATS SHOULD BE TREATED AS SINGLE STAGE ONLY.

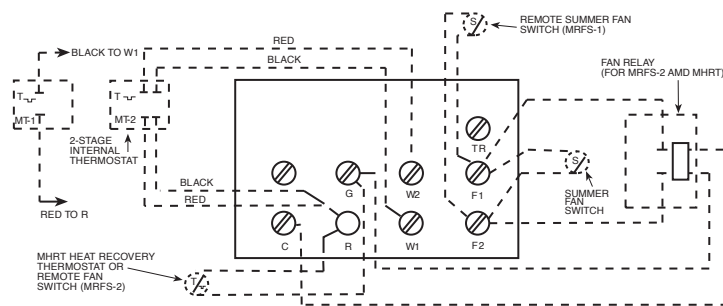


Figure 5. Control Terminal Board (for Heaters With Contactors)

NOTES:

- THIS STYLE CONTROL TERMINAL BOARD IS NOT USED WITH MODELS MUH0321, MUH0371, MUH0381, MUH0521, MUH0571, AND MUH0581.
- REMOVE JUMPER W1 TO W2 WHEN 2-STAGE THERMOSTAT IS USED.
- \*ONLY ONE OF THESE ACCESSORIES MAY BE INSTALLED IN A SINGLE HEATER.
- EXTERNAL LINE VOLTAGE THERMOSTATS SHOULD BE TREATED AS SINGLE STAGE ONLY.

# OPERATING INSTRUCTIONS

1. Heater must be properly installed before operation.
2. Turn power supply to heater "ON" at main switch panel.
3. Where applicable, refer to control accessory instructions regarding proper operation of any controls or accessories used with the heater.

## How to Reset Manual Reset Safety Limit (Factory Installed Option Only)

The manual reset switch is located internally on the rear of the heater. On the 3KW and 5KW models, the access to the reset button is on the right side (when facing rear of heater); on all other models it is near the top rear of the heater.

The manual reset limit is in series with the automatic recycling protector (limit). The manual reset limit will not reset until the heater has cooled and the button is pushed in.

### **WARNING**

DO NOT TAMPER WITH OR BYPASS ANY SAFETY LIMITS INSIDE HEATER.

### **CAUTION**

CAUTION - DO NOT CONTINUE TO ATTEMPT TO USE THE HEATER IF THE SAFETY CONTROL REPEATEDLY OPERATES AFTER BEING RESET. TO DO SO COULD PERMANENTLY DAMAGE THE HEATER OR CREATE A FIRE OR SAFETY HAZARD.

# MAINTENANCE INSTRUCTIONS

It is important to keep this heater clean. Your heater will give you years of service and comfort with only minimum care. To assure efficient operation follow the simple instructions below.

### **WARNING**

ALL SERVICING BEYOND SIMPLE CLEANING THAT REQUIRES DISASSEMBLY SHOULD BE PERFORMED BY QUALIFIED SERVICE PERSONNEL.

### **WARNING**

TO REDUCE RISK OF FIRE AND ELECTRIC SHOCK OR INJURY, DISCONNECT ALL POWER COMING TO HEATER AT MAIN SERVICE PANEL AND CHECK THAT THE ELEMENT IS COOL BEFORE SERVICING OR PERFORMING MAINTENANCE.

## User Cleaning Instructions:

1. After the heater has cooled, a vacuum cleaner with brush attachment may be used to remove dust and lint from exterior surfaces of the heater including the grille openings.
2. With a damp cloth, wipe dust and lint from grille and exterior

## Maintenance Cleaning Instructions:

*(To be performed only by Qualified Service Personnel)*

At least annually, the heater should be cleaned and serviced by a qualified service person to assure safe and efficient operation. This should include as necessary, vacuuming dust and debris from the elements and fan, and checking all screw lug connections for tightness to a recommended minimum torque as specified on the label affixed to the unit. After completing the cleaning and servicing, the heater should be fully reassembled and checked for proper operation.

## LIMITED WARRANTY

All products manufactured by Marley Engineered Products are warranted against defects in workmanship and materials for one year from date of purchase, except heating elements which are warranted against defects in workmanship for five years from date of purchase. This warranty does not apply to damage from accident, misuse, or alteration; nor where the connected voltage is more than 5% above the nameplate voltage; nor to equipment improperly installed or wired or maintained in violation of the product's installation instructions. This warranty does not apply to refurbished products. All claims for warranty work must be accompanied by proof of the date of purchase.

The customer shall be responsible for all costs incurred in the removal or reinstallation of products, including labor costs, and shipping costs incurred to return products. Within the limitations of this warranty, inoperative units should be returned to Marley Engineered Products, and we will repair or replace, at our option, at no charge to you with return freight paid by Marley. It is agreed that such repair or replacement is the exclusive remedy available from Marley Engineered Products.

THE ABOVE WARRANTIES ARE IN LIEU OF ALL OTHER WARRANTIES EXPRESSED OR IMPLIED, AND ALL IMPLIED WARRANTIES OF MERCHANTABILITY AND FITNESS FOR A PARTICULAR PURPOSE WHICH EXCEED THE AFORESAID EXPRESSED WARRANTIES ARE HEREBY DISCLAIMED AND EXCLUDED FROM THIS AGREEMENT. MARLEY ENGINEERED PRODUCTS SHALL NOT BE LIABLE FOR CONSEQUENTIAL DAMAGES ARISING WITH RESPECT TO THE PRODUCT, WHETHER BASED UPON NEGLIGENCE, TORT, STRICT LIABILITY, OR CONTRACT.

Some states do not allow the exclusion or limitation of incidental or consequential damages, so the above exclusion or limitation may not apply to you. This warranty gives you specific legal rights, and you may also have other rights which vary from state to state.

Contact Marley Engineered Products in Bennettsville, SC, at 1-800-642-4328. Merchandise returned to the factory must be accompanied by a return authorization and service identification tag, both available from Marley Engineered Products. When requesting return authorization, include all catalog numbers shown on the products.

## HOW TO OBTAIN WARRANTY SERVICE AND WARRANTY PARTS PLUS GENERAL INFORMATION

- |                                |  |
|--------------------------------|--|
| 1. Warranty Service or Parts   | 1-800-642-4328   |
| 2. Purchase Replacement Parts  | 1-800-654-3545   |
| 3. General Product Information | <a href="http://www.marleymep.com">www.marleymep.com</a> |

**Note:** When obtaining service always have the following:

1. Model number of the product
2. Date of manufacture
3. Part number or description



**Marley**<sup>®</sup>  
Engineered Products

470 Beauty Spot Rd. East  
Bennettsville, SC 29512 USA





## Serie MUH

### Unidades calefactoras modulares



## Instrucciones de instalación, operación y mantenimiento

### Especificaciones

Modelo básico N°	Altura, pulg. (mm)	Ancho, pulg. (mm)	Prof., pulg. (mm)	Peso de montaje lb (kg)	Volumen del compartimiento de cables
MUH0381	16 (406.4)	14 (355.6)	7 1/2 (190.5)	27 (12.2)	90 pulg. <sup>3</sup> (14.70 cm <sup>3</sup> )
MUH0321				27 (12.2)	
MUH0371				27 (12.2)	
MUH0341				30 (13.6)	
MUH0581				27 (12.2)	
MUH0521				27 (12.2)	
MUH0571				27 (12.2)	
MUH0541				30 (13.6)	
MUH0331				30 (13.6)	
MUH0361				30 (13.6)	
MUH0531				30 (13.6)	
MUH0561				30 (13.6)	
MUH078	21 3/4 (552.5)	19 (482.6)	7 1/2 (190.5)	38 (17.2)	100 pulg. <sup>3</sup> (1639 cm <sup>3</sup> )
MUH072				38 (17.2)	
MUH077				38 (17.2)	
MUH074				38 (17.2)	
MUH108				38 (17.2)	
MUH102				38 (17.2)	
MUH107				38 (17.2)	
MUH104				38 (17.2)	
MUH073				38 (17.2)	
MUH076				38 (17.2)	
MUH103				38 (17.2)	
MUH106				38 (17.2)	

Modelo básico N°	Altura, pulg. (mm)	Ancho, pulg. (mm)	Prof., pulg. (mm)	Peso de montaje lb (kg)	Volumen del compartimiento de cables				
MUH158	21 3/4 (552.5)	19 (482.6)	12 3/4 (323.9)	54 (24.5)	140 pulg. <sup>3</sup> (2295 cm <sup>3</sup> )				
MUH152				50 (22.7)					
MUH154				50 (22.7)					
MUH208				60 (27.2)					
MUH202				55 (24.9)					
MUH204				55 (24.9)					
MUH156				55 (24.9)					
MUH206				55 (24.9)					
MUH252				30 (76.2)		26 5/8 (676.4)	11 3/4 (298.5)	89 (40.4)	504 pulg. <sup>3</sup> (8260 cm <sup>3</sup> )
MUH254								89 (40.4)	
MUH308	89 (40.4)								
MUH302	89 (40.4)								
MUH304	89 (40.4)								
MUH256	89 (40.4)								
MUH306	89 (40.4)								
MUH402	30 (76.2)	26 5/8 (676.4)	17 1/4 (435.1)	119 (54.0)	648 pulg. <sup>3</sup> (10620 cm <sup>3</sup> )				
MUH404				119 (54.0)					
MUH508				119 (54.0)					
MUH502				119 (54.0)					
MUH504				119 (54.0)					
MUH406				119 (54.0)					
MUH506				119 (54.0)					



# INSTRUCCIONES IMPORTANTES



## ADVERTENCIA



AL UTILIZAR ARTEFACTOS ELÉCTRICOS, PARA REDUCIR EL RIESGO DE INCENDIO, CHOQUE ELÉCTRICO Y LESIONES PERSONALES DEBEN OBSERVARSE SIEMPRE ALGUNAS PRECAUCIONES BÁSICAS, COMO LAS SIGUIENTES:

1. Lea todas las instrucciones antes de instalar o utilizar este calefactor.
2. Este calefactor es un producto comercial/industrial, que no está destinado a su empleo en un entorno residencial.
3. Cuando está en funcionamiento, el calefactor está muy caliente. Para evitar quemaduras, no deje que su piel haga contacto directo con las superficies calientes. Mantenga los materiales combustibles como muebles, almohadas, ropas de cama, papeles, ropas, cortinas, etc. a 0.9 m (3 pies) como mínimo del frente del calefactor.
4. Se necesita extremo cuidado al utilizar cualquier calefactor junto a o cerca de niños o inválidos, y en todo momento en que el calefactor quede funcionando y desatendido.
5. Este calefactor tiene en su interior piezas calientes y piezas en las que se producen arcos o chispas, y no está destinado a su empleo en atmósferas peligrosas en las que se usen o almacenen vapores, gases o líquidos inflamables u otras atmósferas combustibles como las define el Código Eléctrico Nacional de los EE. UU. Si no se cumple esto puede producirse una explosión o incendio.
6. No opere ningún calefactor después de que haya tenido una falla de funcionamiento. Desconecte la alimentación eléctrica en el tablero de servicio y haga revisar el calefactor por un electricista calificado antes de usarlo.
7. No use el equipo en exteriores.
8. Para desconectar el calefactor, lleve los controles a la posición Apagado (OFF) y desconecte la alimentación del circuito del calefactor en el tablero de desconexión principal.
9. No inserte ni permita que entren objetos extraños en ninguna abertura de ventilación o de descarga, porque esto puede ser causa de choque eléctrico, incendio o daño al calefactor.
10. Para evitar un posible incendio, no bloquee de ningún modo la entrada ni la descarga de aire.
11. Utilice este calefactor únicamente de la manera descrita en este manual. Todo otro uso no recomendado por el fabricante puede originar un incendio.
12. Este calefactor no está destinado a su empleo en entornos especiales. No lo use en lugares húmedos o mojados como zonas marítimas o invernaderos, ni en áreas en las que estén presentes agentes químicos o corrosivos.
13. Al realizar la instalación, vea las advertencias y precauciones adicionales en las INSTRUCCIONES DE INSTALACIÓN.
14. Para asegurar una operación segura y eficiente, y para extender la vida útil de su calefactor, manténgalo limpio. Vea las INSTRUCCIONES DE MANTENIMIENTO.

## GUARDE ESTAS INSTRUCCIONES

# INSTRUCCIONES DE INSTALACIÓN



## ADVERTENCIA



Para evitar un posible incendio, lesiones personales o daños al calefactor, observe lo siguiente:

1. Antes de proceder a tareas de conexión o de reparación del calefactor, desconecte toda la alimentación eléctrica que llega al mismo desde el tablero principal de servicio.
2. Todos los procedimientos de cableado y conexiones deben hacerse de conformidad con los códigos nacionales y locales que tengan jurisdicción, y el calefactor debe estar conectado a tierra.
3. Verifique que la tensión de alimentación provista al calefactor coincida con la tensión nominal indicada en la placa de características del mismo.
4. Para reducir el riesgo de incendio, no almacene ni use gasolina u otros vapores y líquidos inflamables en las cercanías del calefactor.
5. La estructura de montaje en el cielorraso o la pared, así como los medios de anclaje, deben tener la resistencia suficiente para soportar el peso combinado del calefactor y del soporte de montaje.
6. Todos los termostatos incorporados: si el calefactor se usa para prevenir el congelamiento de tuberías o líquidos y el termostato se ajusta por debajo de 7 °C (45 °F), el ventilador debe funcionar continuamente.
7. El calefactor debe montarse al menos a 2134 mm (7') encima del piso para evitar el contacto accidental con la paleta del ventilador, lo que podría causar lesiones.
8. Mantenga un espacio libre de 1524 mm (5') como mínimo delante del calefactor. Para ver los requisitos de espacio libre lateral, superior y posterior consulte la Tabla 1.
9. No monte un termostato de mercurio directamente sobre la unidad. La vibración podría hacer que el calefactor funcione mal.

**Nota importante:** este calefactor debe ser instalado por personal calificado.

**ATENCIÓN:** SI SE ENERGIZA UN CALEFACTOR CON UNA TENSIÓN MAYOR QUE EL VALOR DE TENSIÓN IMPRESO EN LA PLACA DE CARACTERÍSTICAS, SE DAÑARÁ EL CALEFACTOR, SE ANULARÁ LA GARANTÍA, Y PODRÍA PRODUCIRSE UN INCENDIO.

### Instrucciones sobre la ubicación del calefactor

Disponga las unidades de manera que las corrientes de aire de descarga:

- a. Estén sujetas a un mínimo de interferencia a causa de columnas, maquinaria y tabiques;
- b. Se deslicen por las paredes expuestas sin impactar directamente contra ellas.
- c. Se dirijan lejos de los ocupantes de la habitación en aplicaciones de calefacción ambiental;
- d. Se dirijan a lo largo del lado de donde viene el viento, cuando se instalan

en un edificio expuesto a un viento preponderante.

Localice los termostatos aproximadamente 1524 mm (5') por encima del piso, en paredes divisorias interiores, o colóquelos lejos de corrientes de aire frío, fuentes de calor internas y de las corrientes de aire de descarga de calefactores.

Las habitaciones pequeñas pueden usar una unidad calefactora única.

Las habitaciones grandes requieren instalaciones de unidades múltiples. La cantidad y la capacidad de las unidades se determinará de acuerdo con el volumen del edificio y el área de piso (pies cuadrados) a calefaccionar. Disponga las unidades para proporcionar una circulación de aire perimetral, en la que cada unidad soporte la corriente de aire de otra.

## Montaje del calefactor - Generalidades

El calefactor puede montarse para descargar el aire caliente horizontalmente o verticalmente. Cuando el calefactor se monta para descarga vertical, se recomienda posicionarlo de manera que la puerta de acceso se abra en sentido contrario a la pared, a fin de proporcionar mayor acceso al compartimiento de cables y control. Si el calefactor se va a montar con la puerta de acceso enfrentada a una pared, debe montarse lo suficientemente lejos de esa pared a fin de permitir la apertura plena de la puerta (una distancia aproximadamente igual al ancho del calefactor; verifique el espacio libre antes de la instalación). Para ver los espacios libres en relación con las paredes y el cielorraso antes de montar el calefactor, consulte la Tabla 1.

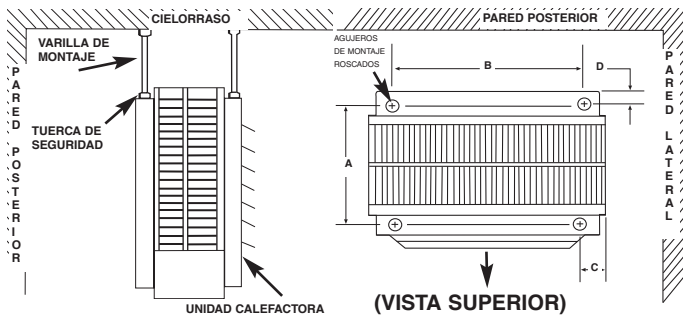
El calefactor puede montarse para descarga vertical u horizontal, mediante el uso de varillas roscadas. (Para ver los tamaños de varillas roscadas requeridos, consulte la Tabla 2). Observe los procedimientos detallados en las instrucciones de instalación siguientes.

El calefactor puede también ir suspendido de la pared o del cielorraso por medio de un soporte de montaje opcional (tipo MMB o MCMB) que le permite pivotar horizontalmente.

Después de instalar el calefactor, las celosías pueden posicionarse para orientar el aire caliente en la dirección deseada. Cuando el calefactor se instala para descarga horizontal, las celosías deben dirigir el aire en línea recta hacia adelante, o hacia abajo. La orientación hacia arriba puede hacer que el aire caliente permanezca en el área del cielorraso, con lo que se desperdicia energía.

**Tabla 1. Espacio libre en relación con las paredes y el cielorraso, pulgadas (mm)**

Unidad	Descarga	Cielorraso	Pared lateral	Pared posterior
3 y 5 kW	Horiz.	2 (50.8)	6 (152.4)	9 (228.6)
	Vert.	6 (152.4)	18 (457.2)	18 (457.2)
7.5 a 10 kW	Horiz.	6 (152.4)	6 (152.4)	13 (330.2)
	Vert.	6 (152.4)	24 (609.6)	24 (609.6)
15 a 10 kW	Horiz.	6 (152.4)	9 (228.6)	12 <sup>1</sup> / <sub>2</sub> (317.5)
	Vert.	6 (152.4)	24 (609.6)	24 (609.6)
25 a 50 kW	Horiz.	16 (406.4)	12 (304.8)	18 <sup>1</sup> / <sub>2</sub> (470.0)
	Vert.	12 (304.8)	39 (914.4)	39 (914.4)



**Figura 1. Montaje y espaciado de varillas para descarga horizontal**

**Tabla 2. Dimensiones de espaciado y rosca de las varillas, pulgadas (mm), para descarga horizontal**

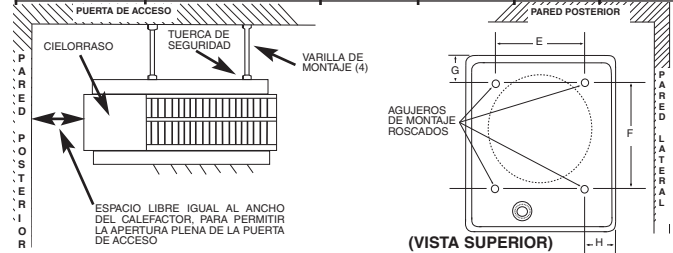
Unidad	Tipo de rosca de las varillas	A	B	C	D
3 - 5 kW	5/16 - 18	6 <sup>1</sup> / <sub>16</sub> (153.9)	6 (152.4)	4 <sup>1</sup> / <sub>16</sub> (103.1)	3/4 (19.0)
7.5 - 10 kW		11 <sup>3</sup> / <sub>8</sub> (289.0)	8 <sup>7</sup> / <sub>8</sub> (225.6)	5 <sup>1</sup> / <sub>8</sub> (130.3)	3/4 (19.0)
15 - 20 kW		10 <sup>3</sup> / <sub>16</sub> (268.2)	14 - 12 (368.3)	6 <sup>3</sup> / <sub>16</sub> (157.2)	5/8 (16.0)
25 - 30 kW	3/8 - 16	15 <sup>15</sup> / <sub>16</sub> (404.9)	14 - 12 (368.3)	6 <sup>3</sup> / <sub>16</sub> (157.2)	5/8 (16.0)
40 - 50 kW					

## Descarga horizontal (montaje con varillas desde el cielorraso)

1. Instale cuatro varillas roscadas de montaje en los agujeros roscados, y asegúrelas en su posición mediante tuercas de seguridad (vea la Tabla 2).
2. Fije firmemente las cuatro varillas de montaje al cielorraso. (Para ver los espacios libres en relación con las paredes y el cielorraso consulte la Tabla 1, y para ver el espaciado de las varillas de montaje consulte la Tabla 2).

**Tabla 3. Dimensiones de espaciado y rosca de las varillas, pulgadas (mm), para descarga vertical**

Unidad	Tipo de rosca de las varillas	E	F	G	H
3 - 5 kW	5/16 - 18	6 (152.4)	9 <sup>3</sup> / <sub>4</sub> (247.7)	2 (50.8)	4 <sup>1</sup> / <sub>16</sub> (103.1)
7.5 - 20 kW		8 <sup>7</sup> / <sub>8</sub> (225.6)	14 <sup>5</sup> / <sub>8</sub> (371.6)	2 (50.8)	5 <sup>1</sup> / <sub>8</sub> (130.3)
25 - 30 kW	3/8 - 16	14 <sup>1</sup> / <sub>2</sub> (368.3)	21 <sup>1</sup> / <sub>4</sub> (539.8)	2 <sup>3</sup> / <sub>16</sub> (56.0)	6 <sup>3</sup> / <sub>16</sub> (157.2)



**Figura 2. Montaje y espaciado de varillas para descarga vertical**

## Descarga vertical (montaje con varillas desde el cielorraso)

1. Quite los pernos de los agujeros roscados que están en la parte trasera del calefactor.
2. Instale cuatro varillas roscadas de montaje en los agujeros roscados, y asegúrelas en su posición mediante tuercas de seguridad.
3. Fije firmemente las cuatro varillas de montaje al cielorraso. (Para ver los espacios libres en relación con las paredes y el cielorraso consulte la Tabla 1, y para ver las dimensiones de espaciado de las varillas de montaje consulte la Tabla 3).

## Cableado del circuito de derivación (alimentación)

1. Conecte el calefactor únicamente a un circuito apto para la tensión (V), corriente (A) y frecuencia (Hz) especificadas en la placa de características.
2. El cableado de campo debe estar dimensionado correctamente para la corriente (A) que debe conducir, de acuerdo con el NEC.
3. La puerta de acceso está abisagrada. Existen uno o dos tornillos accesibles desde el costado, que deben aflojarse para tener acceso. Estos tornillos son del tipo prisionero; no intente quitarlos.
4. Se ha provisto un prepunzonado en la parte posterior del calefactor, cerca de las borneras de alimentación eléctrica y de control. El prepunzonado para la bornera de control es para un tamaño de conducto de 12.7 mm (1/2 pulgada). El prepunzonado para la bornera de alimentación eléctrica es de diámetro múltiple. Use el diámetro que corresponda al tamaño de conducto necesario.
5. Se ha provisto un terminal de masa cerca de la bornera de alimentación eléctrica. El cable de masa debe conectarse antes de hacer las otras conexiones.
6. La bornera de alimentación eléctrica está equipada con terminales dimensionados para aceptar el cable de alimentación eléctrica de calibre correcto. El cable para circuitos de derivación con especificación de 600 V, 60 °C, es aceptable para los calefactores que consumen hasta 80 A. Para los calefactores que consumen más de 80 A, el cable del circuito de derivación debe tener una especificación de 75 °C como mínimo. Para la conexión a los terminales de la bornera de alimentación eléctrica del calefactor pueden usarse tanto cables de cobre como de aluminio. Se recomiendan los cables de cobre, y deben usarse con un interruptor de desconexión incorporado.

7. Cada calefactor tiene un diagrama de conexionado fijado en el interior de la puerta de acceso. Consulte este diagrama antes de hacer las conexiones de campo.

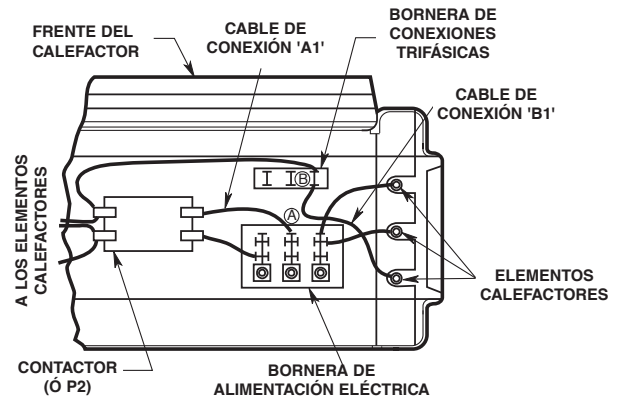
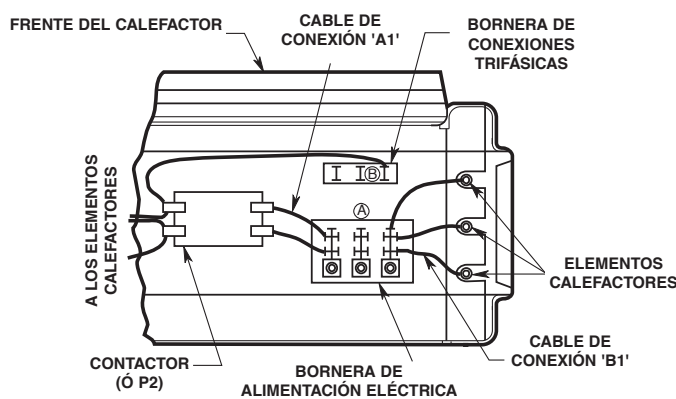
**Nota importante – Par de apriete de los terminales de tornillo en la instalación:**

Durante el transporte es posible que las conexiones de los terminales de tornillo se aflojen. Una vez instalado, antes de encender el calefactor, verifique que todos los tornillos estén ajustados con los valores de ajuste mínimos recomendados en el rótulo adjunto a la unidad. Las conexiones flojas pueden ser riesgosas.

8. En los modelos de calefactor MUH0521, MUH0581, MUH072, MUH078, MUH102 y MUH108 pueden usarse conexiones

monofásicas o trifásicas. Estas unidades están cableadas en fábrica para operación monofásica. Si estos calefactores van a usarse con alimentación trifásica, reconecte los cables según se indica en el diagrama de conexionado fijado al calefactor. Puede encontrarse información adicional en las ilustraciones de conexionado de las Figuras 3a a 3c, y en las instrucciones que siguen a continuación.

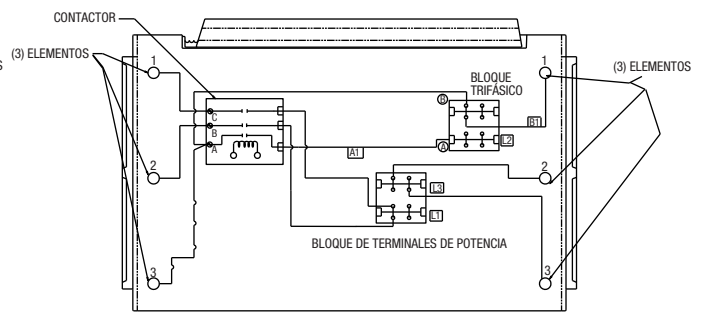
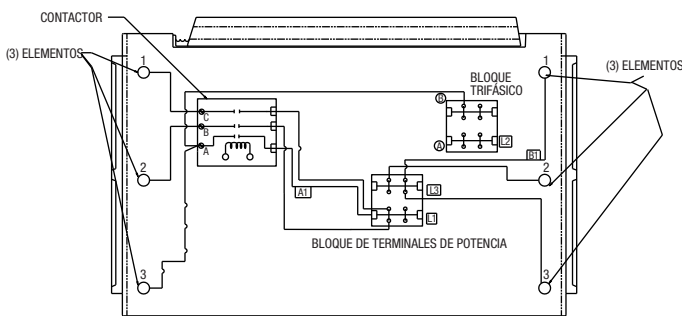
En los modelos MUH0521, MUH0581, MUH072, MUH078, MUH102 y MUH108 (Figuras 3a y 3b), mueva sólo los dos cables marcados 'A1' y 'B1'; no mueva ni cambie ninguna otra conexión. El cable de conexión del elemento calefactor marcado 'B1', que está conectado en fábrica a la bornera de alimentación eléctrica debe moverse al terminal 'B' de la bornera de conexiones trifásicas.



**CABLEADO EN FÁBRICA PARA ALIMENTACIÓN MONOFÁSICA**

**CABLEADO EN CAMPO PARA ALIMENTACIÓN TRIFÁSICA**

**Figura 3a. Conexiones de cables para alimentación monofásica y trifásica (MUH0521, MUH0581)**



**CABLEADO EN FÁBRICA PARA ALIMENTACIÓN MONOFÁSICA**

**CABLEADO EN CAMPO PARA ALIMENTACIÓN TRIFÁSICA**

**Figura 3b. Conexiones de cableado para alimentación monofásica y trifásica (MUH072, MUH078, MUH102, MUH108)**

Para MUH072, MUH078, MUH102 y MUH108, el cable "A1" debe moverse del bloque de terminales de alimentación al terminal "A" del bloque de terminales trifásico (Figura 3b). Para MUH0521 y MUH0581, el cable "A1" se debe mover al terminal "A" (medio) del bloque de terminales de alimentación (Figura 3a).

Le modèle MUH158 (Figure 3c) possède des bornes pour triphasé située près des relais (contacteurs). Ne déplacez que les deux fils marqués "C1" et "D1" de chacun de ces deux bornier pour triphasé sur la borne "B". Ne déplacez ou ne modifiez aucun autre câblage.

- Des accessoires électriques, soit en kits ou en options installées en usine, ont leur connexion indiquée en lignes pointillées sur le schéma de câblage du radiateur.
- Radiateur en 208/240 volts : Les radiateurs sont câblés en usine pour du secteur 240 V. Quand un tel radiateur doit être alimenté en 208 V, les fils du transformateur DOIVENT être permutés. Pour des appareils de puissance 30/40 kW ou plus, permutez les fils de primaire ORANGE et ROUGE. Le fil NOIR est pour le COMMUN du transformateur (50 VA) fourni sur les radiateurs de forte puissance. Pour les radiateurs de puissance moindre, permutez les fils de primaire NOIR et ROUGE. Le fil de BLANC est pour le COMMUN du transformateur fourni avec ces radiateurs. Référez-vous toujours au schéma de câblage sur l'intérieur de porte du radiateur avant d'effectuer ces changements de connexion au primaire du transformateur.

**ATTENTION :** Pour éviter la possibilité d'un incendie ou des dommages à l'appareil de chauffage, si un thermostat à deux stages est fourni, il DOIT être câblé de sorte que le Stage 1 allume l'élément de chauffage arrière (où se situe le contrôl du ventilateur) en premier et l'éteigne en

dernier. Le Stage 2 DOIT allumer les éléments autres que l'élément arrière lorsqu'il y a un besoin supplémentaire de chaleur et ceux-ci s'allumeront en dernier et s'éteindront en premier.

### Câblage de contrôle

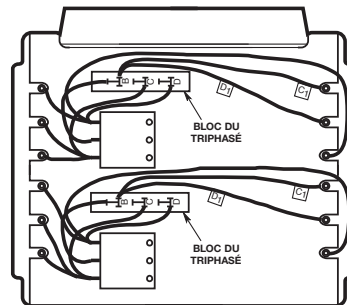
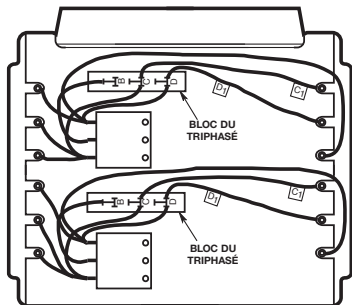
**⚠ AVERTISSEMENT ⚠**

**LA TENSION SECTEUR EST PRÉSENTE SUR CERTAINES BORNES DE LA CARTE DE TERMINAISON DES CONTRÔLES. COUPEZ TOUJOURS L'ALIMENTATION SECTEUR EN AMONT DU RADIATEUR AVANT DE RÉALISER N'IMPORTE QUELLES CONNEXIONS À LA CARTE DE CONTRÔLE AFIN D'ÉVITER UNE POSSIBLE COMMOTION ÉLECTRIQUE.**

- Utilisez du fil isolé Classe 1 de NEC, supportant 600 V, pour tout câblage du circuit de contrôle.
- Utilisez une cosse sertie en fourche sur les extrémités de fil pour réaliser la connexion à la carte de contrôle si plus d'un fil doit arriver sous la vis de terminaison.
- Sur les radiateurs non fournis avec un contacteur interne (3 et 5 kW), référez-vous à la Figure 4 comme schéma de câblage.

**REMARQUE :** Le câblage de thermostat et de circuit de contrôle doit être prévu pour supporter la pleine charge du radiateur (par exemple un MUH0581 est spécifié pour 24 ampères).

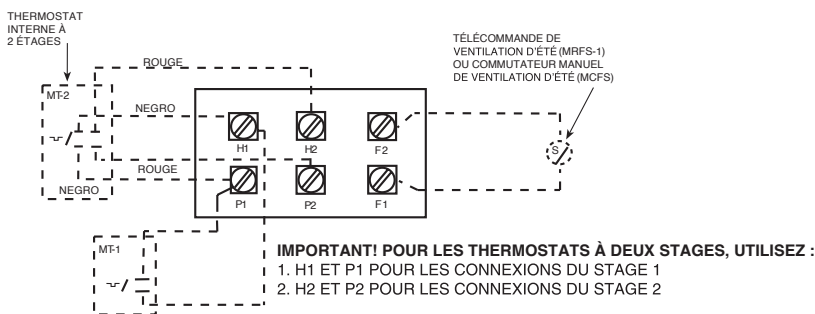
- Sur les radiateurs fournis avec un contacteur interne (7 et plus), référez-vous à la Figure 5 comme schéma de câblage. Le câblage pour le contrôle doit au moins être de calibre 18 AWG.



**CÂBLAGE D'USINE POUR ALIMENTATION EN MONOPHASÉ**

**CÂBLAGE D'USINE POUR ALIMENTATION EN TRIPHASÉ**

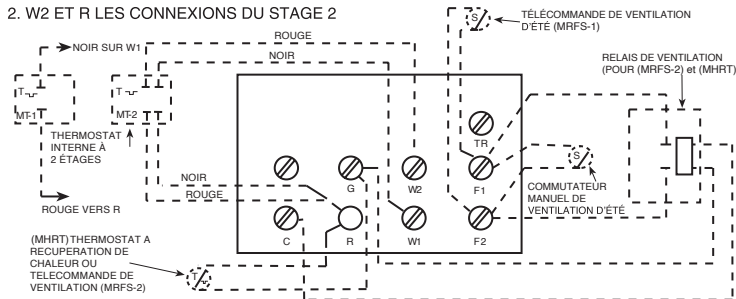
**Figure 3c. Raccordements d'alimentation pour du secteur monophasé et triphasé (MUH158)**



**Figure 4. Carte de terminaison de commandes (pour radiateurs sans contacteur)**

**IMPORTANT! POUR LES THERMOSTATS À DEUX STAGES, UTILISEZ :**

- W1 ET R POUR LES CONNEXIONS DU STAGE 1
- W2 ET R LES CONNEXIONS DU STAGE 2



**Figure 5. Carte de terminaison de commandes (pour radiateurs avec contacteur)**

NOTES :

- TYPE DE CARTE DE RACCORDEMENT UTILISÉ AVEC LES MODÈLES MUH0321, MUH0371, MUH0381, MUH0521, MUH0571, ET MUH0581.
- QUAND LE RADIATEUR EST CÂBLÉ POUR DU MONOPHASÉ, RELIEZ H1 ET H2. SI UN THERMOSTAT UNIPOLAIRE EST UTILISÉ SUR UN RADIATEUR EN MONOPHASÉ, BRANCHEZ SES FILS SUR P1 ET H1.
- DES THERMOSTATS ALIMENTÉS PAR TENSION EXTÉRIEURE SONT À CONSIDÉRER COMME À UN SEUL ÉTAGE.

NOTES :

- TYPE DE CARTE DE RACCORDEMENT UTILISÉ AVEC LES MODÈLES MUH0321, MUH0371, MUH0381, MUH0521, MUH0571 ET MUH0581.
- ÔTEZ LE CAVALIER ENTRE W1 ET W2 QUAND UN THERMOSTAT À 2 ÉTAGES EST UTILISÉ.
- \*SEULEMENT UN DE CES ACCESSOIRES PEUT ÊTRE INSTALLÉ SUR UN MÊME RADIATEUR.
- DES THERMOSTATS ALIMENTÉS PAR TENSION EXTÉRIEURE SONT À CONSIDÉRER COMME À UN SEUL ÉTAGE.

# INSTRUCCIONES DE OPERACIÓN

1. El calefactor debe instalarse correctamente antes de ponerlo en funcionamiento.
2. Conecte la alimentación eléctrica al calefactor en el tablero de distribución principal.
3. Donde sea aplicable, para ver la operación correcta de los controles y accesorios que pueda utilizar el calefactor consulte las instrucciones de los accesorios de control.

## Cómo restablecer el Restablecimiento manual del límite de seguridad (opción instalada de fábrica solamente)

El interruptor de límite se encuentra internamente en la parte posterior del calentador. En los modelos de 3 kW y de 5 kW, el acceso al botón de reposición es por el lado derecho (al mirar a la parte trasera del calefactor); en todos los demás modelos está cerca de la parte superior trasera del calefactor.

El límite de reposición manual está en serie con el protector (límite) de reciclado automático. El límite de reposición manual no se repondrá hasta que el calefactor se haya enfriado y se oprima el botón.

### ⚠️ ADVERTENCIA ⚠️

NO ALTERE NI PUENTE NINGÚN LÍMITE DE SEGURIDAD INTERNO DEL CALEFACTOR.

### PRECAUCIÓN ⚠️

ATENCIÓN: SI EL CONTROL DE SEGURIDAD SE ACTIVA REPETIDAMENTE DESPUÉS DE LA REPOSICIÓN, NO VUELVA A INTENTAR USAR EL CALEFACTOR. SI LO HACE, EL CALEFACTOR PUEDE SUFRIR DAÑOS PERMANENTES, O PROVOCAR UN INCENDIO O RIESGO PARA LA SEGURIDAD.

# INSTRUCCIONES DE MANTENIMIENTO

Es importante mantener limpio este calefactor. Su calefactor le brindará muchos años de servicio y confort con sólo un mínimo de cuidado. Para asegurar un funcionamiento eficiente, observe las instrucciones simples que se indican a continuación.

### ⚠️ ADVERTENCIA ⚠️

TODO SERVICIO, MÁS ALLÁ DE UNA SIMPLE LIMPIEZA, QUE REQUIERA UN DESMONTAJE DEBE SER REALIZADO POR PERSONAL DE SERVICIO CALIFICADO.

### ⚠️ ADVERTENCIA ⚠️

PARA REDUCIR EL RIESGO DE INCENDIO Y DE CHOQUE ELÉCTRICO O LESIONES, DESCONECTE TODA LA ALIMENTACIÓN ELÉCTRICA QUE LLEGA AL CALEFACTOR EN EL TABLERO PRINCIPAL DE SERVICIO Y VERIFIQUE QUE EL ELEMENTO CALEFACTOR ESTÉ FRÍO ANTES DE PRESTAR SERVICIO O DE REALIZAR EL MANTENIMIENTO.

## Instrucciones de limpieza para el usuario:

1. Después de que el calefactor se haya enfriado, puede utilizarse una aspiradora con accesorio de cepillo para eliminar el polvo y la pelusa de las superficies exteriores del calefactor, incluidas las aberturas de la rejilla.
2. Con un paño húmedo, elimine el polvo y la pelusa de la rejilla y las superficies exteriores.
3. Vuelva a conectar la alimentación eléctrica al calefactor y asegúrese de que funcione correctamente.

## Instrucciones de limpieza de mantenimiento:

*(a realizarse únicamente por personal de servicio calificado)*

Al menos una vez por año, un técnico de servicio calificado debe limpiar y prestar servicio al calefactor para asegurar un funcionamiento seguro y eficiente. Esto debe incluir, según sea necesario, la aspiración del polvo y los desperdicios de los elementos calefactores y del ventilador, y la revisión de las conexiones de los terminales de tornillo para verificar que cumplan con el valor de par de apriete recomendado. Como se especifica en la etiqueta adherida a la unidad. Después de terminada la limpieza y servicio, el calefactor debe volver a montarse completamente y verificarse que funcione correctamente.

## GARANTÍA LIMITADA

Todos los productos fabricados por Marley Engineered Products tienen garantía contra defectos de fabricación y materiales por un año a partir de la fecha de compra, excepto los elementos calefactores que están garantizados contra defectos de mano de obra durante cinco años a partir de la fecha de compra. Esta garantía no se aplica a los daños causados por accidente, uso incorrecto o alteración, tensión conectada superior al 5% de la especificada en la placa de datos o instalación, cableado o mantenimiento incorrecto del equipo en violación de las instrucciones de instalación. Esta garantía no se aplica a los productos reacondicionados. Todos los reclamos de garantía deben estar acompañados por un comprobante de la fecha de compra.

El cliente se hará cargo de todos los costos incurridos para la desinstalación o reinstalación de los productos, incluida la mano de obra y los costos de envío de los productos devueltos. Dentro de las limitaciones de esta garantía, las unidades que no funcionen deben ser devueltas a Marley Engineered Products para que las reparamos o cambiemos, a nuestra entera discreción, sin costo alguno para el cliente y con el flete a cargo de Marley. Se conviene que dicha reparación o cambio es el único resarcimiento que ofrece Marley Engineered Products.

ESTAS GARANTÍAS REEMPLAZAN A CUALQUIER OTRA GARANTÍA EXPLÍCITA O IMPLÍCITA, Y TODA GARANTÍA IMPLÍCITA DE COMERCIABILIDAD Y APTITUD PARA UN FIN DETERMINADO QUE EXCEDA LAS GARANTÍAS EXPLÍCITAS MENCIONADAS ARRIBA QUEDARÁ EXCLUIDA DEL PRESENTE ACUERDO. MARLEY ENGINEERED PRODUCTS NO SERÁ RESPONSABLE POR LOS DAÑOS EMERGENTES QUE SURJAN CON RESPECTO AL PRODUCTO, YA SEA BASÁNDOSE NEGLIGENCIA, RESPONSABILIDAD CIVIL, RESPONSABILIDAD OBJETIVA O CONTRATO.

Algunos estados no permiten la exclusión o limitación de los daños incidentales o emergentes, por lo que es posible que la exclusión o limitación mencionada arriba no se aplique en su caso. Esta garantía le otorga derechos legales específicos, pero usted podría tener otros derechos adicionales dependiendo del estado.

Los productos devueltos a la fábrica deben estar acompañados por una autorización de devolución y un rótulo de identificación de reparación, que deben ser proporcionados por Marley Engineered Products. Al solicitar una autorización de devolución, incluya todos los números de catálogo que se muestran en los productos.

## CÓMO OBTENER SERVICIO EN GARANTÍA, PIEZAS DE REPUESTO E INFORMACIÓN GENERAL

- |  |  |
|--|--|
| 1. Servicio o repuestos en garantía    | 1-800-642-4328   |
| 2. Compra de repuestos                 | 1-800-654-3545   |
| 3. Información general sobre productos | <a href="http://www.marleymep.com">www.marleymep.com</a> |

**Nota:** cuando solicite servicio, siempre dé la información que sigue:

1. Número de modelo del producto
2. Fecha de fabricación
3. Número de parte o descripción



**Marley**<sup>®</sup>  
Engineered Products

470 Beauty Spot Rd. East  
Bennettsville, SC 29512 USA





# Séries MUH

## Radiateurs modulaires



### Instructions d'installation, d'utilisation et d'entretien

#### Spécifications

N° de modèle de base	Hauteur pouces (mm)	Largeur pouces (mm)	Profondeur pouces (mm)	Poids de montage Lbs. (Kg)	Volume du compartiment de câblage				
MUH0381	16 (406.4)	14 (355.6)	7 <sup>1</sup> / <sub>2</sub> (190.5)	27 (12.2)	90 in <sup>3</sup> (14.70 cm <sup>3</sup> )				
MUH0321				27 (12.2)					
MUH0371				27 (12.2)					
MUH0341				30 (13.6)					
MUH0581				27 (12.2)					
MUH0521				27 (12.2)					
MUH0571				27 (12.2)					
MUH0541				30 (13.6)					
MUH0331				30 (13.6)					
MUH0361				30 (13.6)					
MUH0531				30 (13.6)					
MUH0561				30 (13.6)					
MUH078				21 <sup>3</sup> / <sub>4</sub> (552.5)		19 (482.6)	7 <sup>1</sup> / <sub>2</sub> (190.5)	38 (17.2)	100 in <sup>3</sup> (1639 cm <sup>3</sup> )
MUH072								38 (17.2)	
MUH077								38 (17.2)	
MUH074	38 (17.2)								
MUH108	38 (17.2)								
MUH102	38 (17.2)								
MUH107	38 (17.2)								
MUH104	38 (17.2)								
MUH073	38 (17.2)								
MUH076	38 (17.2)								
MUH103	38 (17.2)								
MUH106	38 (17.2)								

N° de modèle de base	Hauteur pouces (mm)	Largeur pouces (mm)	Profondeur pouces (mm)	Poids de montage Lbs. (Kg)	Volume du compartiment de câblage				
MUH158	21 <sup>3</sup> / <sub>4</sub> (552.5)	19 (482.6)	12 <sup>3</sup> / <sub>4</sub> (323.9)	54 (24.5)	140 in <sup>3</sup> (2295 cm <sup>3</sup> )				
MUH152				50 (22.7)					
MUH154				50 (22.7)					
MUH208				60 (27.2)					
MUH202				55 (24.9)					
MUH204				55 (24.9)					
MUH156				55 (24.9)					
MUH206				55 (24.9)					
MUH252				30 (76.2)		26 <sup>5</sup> / <sub>8</sub> (676.4)	11 <sup>3</sup> / <sub>4</sub> (298.5)	89 (40.4)	504 in <sup>3</sup> (8260 cm <sup>3</sup> )
MUH254								89 (40.4)	
MUH308	89 (40.4)								
MUH302	89 (40.4)								
MUH304	89 (40.4)								
MUH256	89 (40.4)								
MUH306	89 (40.4)								
MUH402	30 (76.2)	26 <sup>5</sup> / <sub>8</sub> (676.4)	17 <sup>1</sup> / <sub>4</sub> (435.1)	119 (54.0)	648 in <sup>3</sup> (10620 cm <sup>3</sup> )				
MUH404				119 (54.0)					
MUH508				119 (54.0)					
MUH502				119 (54.0)					
MUH504				119 (54.0)					
MUH406				119 (54.0)					
MUH506				119 (54.0)					

# INSTRUCTIONS IMPORTANTES



## AVERTISSEMENT



LORS DE L'UTILISATION D'APPAREILS ÉLECTRIQUES, DES PRÉCAUTIONS DE BASE DOIVENT TOUJOURS ÊTRE SUIVIES AFIN DE RÉDUIRE LE RISQUE DE DÉPART D'INCENDIE, DE COMMOTION ÉLECTRIQUE ET DE BLESSURES AUX PERSONNES, INCLUANT CELLES QUI SUIVENT :

1. Lisez toutes les instructions avant d'installer ou d'utiliser le radiateur.
2. Ce radiateur est un produit commercial/industriel, non prévu pour une utilisation en résidentiel.
3. Ce radiateur est chaud quand il est en fonctionnement. Pour éviter des brûlures, ne laissez pas de peau nue toucher ses surfaces chaudes. Maintenez les matières combustibles comme le mobilier, les oreillers, la literie, les papiers, les vêtements et les couvertures, à au moins 3 pieds (90 cm) de distance de l'avant du radiateur.
4. Il faut faire très attention quand un radiateur quelconque est utilisé par des enfants ou des personnes invalides ou près d'eux, et à chaque fois que le radiateur est laissé en marche sans surveillance.
5. Ce radiateur comporte des pièces intérieures brûlantes qui génèrent des arcs ou des étincelles électriques, il ne doit pas être utilisé dans des atmosphères dangereuses, où sont entreposés ou utilisés des vapeurs ou liquides inflammables, ou d'autres combustibles tels que définis par NEC (norme électrique américaine). La non-observation de cette consigne peut entraîner explosion ou départ d'incendie.
6. N'utilisez plus un radiateur s'il a présenté des dysfonctionnements.

Débranchez son alimentation au panneau de distribution du secteur et faites-le inspecter par un bon électricien avant de le réutiliser.

7. Ne l'utilisez pas à l'extérieur.
8. Pour déconnecter le radiateur, passez sa commande sur arrêt (Off) et coupez le secteur en amont au panneau de distribution.
9. N'insérez pas d'objets étrangers, et ne permettez pas qu'il en entre, dans toute ouverture d'admission ou d'évacuation, car cela peut causer une commotion électrique ou un départ d'incendie, ou endommager le radiateur.
10. Pour éviter un possible départ d'incendie, n'obstruez en aucune façon les admissions et les échappements d'air.
11. N'utilisez ce radiateur que comme c'est décrit dans ce manuel. Tout autre type d'utilisation qui n'est pas recommandé par le constructeur peut provoquer un départ d'incendie.
12. Ce radiateur n'est pas prévu pour une utilisation dans des environnements spéciaux. Ne l'utilisez pas dans des lieux humides ou mouillés, tels que dans un contexte marin ou une serre, ou dans des endroits où il y a présence d'agents corrosifs ou chimiques.
13. Lors de l'installation, voyez les INSTRUCTIONS D'INSTALLATION pour des mises en gardes et précautions supplémentaires.
14. Pour un fonctionnement sûr et efficace, et pour prolonger sa durée de service, gardez votre radiateur propre – Voyez les INSTRUCTIONS D'ENTRETIEN.

## CONSERVEZ CES INSTRUCTIONS

## INSTRUCTIONS D'INSTALLATION



## AVERTISSEMENT



Pour éviter un possible départ d'incendie, des blessures corporelles ou des dommages au radiateur, respectez ces consignes :

1. Débranchez toute alimentation secteur arrivant au panneau de service principal avant de câbler ou d'intervenir pour du service.

**Remarque importante :** Ce radiateur doit être installé par une personne qualifiée.

2. Toutes les procédures de câblage et les raccordements doivent être en conformité avec les normes nationales et locales applicables, et le radiateur doit être relié à la terre.
3. Vérifiez que la tension du secteur arrivant au radiateur correspond bien aux valeurs spécifiées sur sa plaque signalétique.

**ATTENTION:** ALIMENTER LE RADIATEUR AVEC UNE TENSION DÉPASSANT LA VALEUR IMPRIMÉE SUR LA PLAQUE SIGNALÉTIQUE ENDOMMAGERA LE RADIATEUR ET ANNULERA SA GARANTIE, ET CELA PEUT PROVOQUER UN DÉPART D'INCENDIE.

4. Pour réduire le risque de départ d'incendie, n'entrez pas et n'utilisez pas d'essence ou d'autres produits inflammables sous

forme de liquide ou de vapeurs à proximité du radiateur.

5. La structure de montage au plafond ou au mur et les dispositions d'ancrage doivent avoir une résistance suffisante pour supporter le poids du radiateur et de son support de montage.
6. Tous les thermostats sont intégrés : Si le radiateur est utilisé pour éviter le gel de tuyauteries ou de liquides, et que le thermostat est réglé en dessous de 45°F (7 °C) le ventilateur doit tourner continuellement.
7. Le radiateur peut être monté à au moins 7' (231,4 cm) au-dessus du sol, pour éviter un contact accidentel avec la pale de ventilateur qui pourrait causer une blessure.
8. Gardez au moins 5' (152 cm) d'espacement sur l'avant du radiateur. Référez-vous au Tableau 1 pour les besoins en espacement sur les côtés, en haut et en bas.
9. Ne montez pas de thermostat de type au mercure directement sur le radiateur. La vibration pourrait causer un dysfonctionnement du radiateur.

### Instructions de localisation du radiateur

Disposez les radiateurs de façon à ce que leur flux d'air envoyé :

- a. soit soumis à un minimum d'interférence venant de colonnes, machines ou cloisons
- b. passe sur les murs exposés sans souffler directement dessus
- c. ne soit pas dirigé vers des occupants de la pièce en chauffage de confort
- d. soit dirigé le long du côté face au vent quand l'installation est dans un bâtiment soumis à un vent dominant

Placez les thermostats à environ 5' (152,4 cm) au-dessus du sol sur des cloisons de séparation intérieures ou des poteaux, à l'écart des courants d'air froids, des sources de chaleur intérieures et à distance des évacuations d'air des radiateurs.

Des petites pièces peuvent être réchauffées avec un seul radiateur. Des pièces plus grandes nécessitent l'installation de plusieurs radiateurs. Le nombre et la capacité des radiateurs sont à déterminer en fonction du volume de bâtiment et de la surface en mètres carrés des zones à réchauffer. Disposez les radiateurs pour fournir une ventilation du périmètre, chaque radiateur renforçant le flux d'air du précédent.



## Montage de radiateurs, généralités

Le radiateur peut être installé pour envoyer de l'air chaud soit horizontalement soit verticalement. Quand il est monté pour envoi verticalement, il est recommandé de le positionner de façon à ce que la porte d'accès s'ouvre en s'écartant du mur afin de donner plus de place pour entrer dans le compartiment de câblage et de contrôles. Si le radiateur doit être monté avec sa porte d'accès en face d'un mur, il faut le monter suffisamment loin de ce mur pour permettre une ouverture complète de la porte d'accès (à une distance approximativement égale à la largeur du radiateur, vérifiez l'écartement avant l'installation). Référez-vous au Tableau 1 pour les écartements par rapport aux murs ou plafond avant de monter le radiateur.

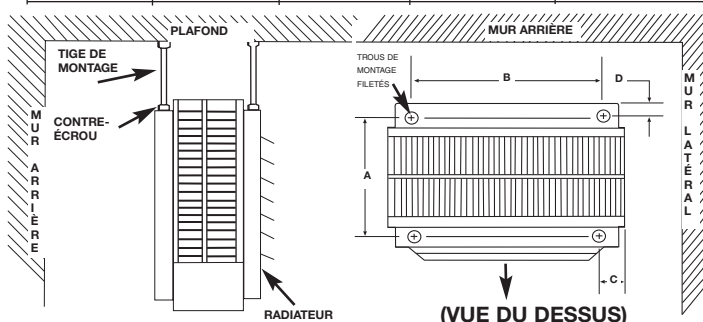
Le radiateur peut être monté pour distribution verticale ou horizontale en utilisant des tiges filetées (Référez-vous au Tableau 2 pour les tailles de tiges filetées nécessaires). Suivez les procédures détaillées dans les instructions d'installation ci-dessous.

Le radiateur peut aussi être suspendu depuis le mur ou le plafond au moyen d'un support de montage optionnel (type MMB ou MCMB) qui permet un pivotement horizontal du radiateur.

Une fois le radiateur installé, les volets peuvent être positionnés pour diriger l'air chauffé dans la direction voulue. Quand le radiateur est installé pour une évacuation horizontale, les volets doivent envoyer l'air soit droit devant soit vers le bas. Le fait de diriger l'air vers le haut ferait rester l'air chaud dans la zone du plafond, et ce serait un gaspillage d'énergie.

**Tableau 1. Écartement par rapport aux murs et au plafond en pouces (mm)**

Puissance	Distrib.	Plafond	Mur latéral	Mur arrière
3 et 5 kW	Horiz.	2 (50.8)	6 (152.4)	9 (228.6)
	Vert.	6 (152.4)	18 (457.2)	18 (457.2)
7.5 à 10 kW	Horiz.	6 (152.4)	6 (152.4)	13 (330.2)
	Vert.	6 (152.4)	24 (609.6)	24 (609.6)
15 à 10 kW	Horiz.	6 (152.4)	9 (228.6)	12 1/2 (317.5)
	Vert.	6 (152.4)	24 (609.6)	24 (609.6)
25 à 50 kW	Horiz.	16 (406.4)	12 (304.8)	18 1/2 (470.0)
	Vert.	12 (304.8)	39 (914.4)	39 (914.4)



**Figure 1. Montage à distribution horizontale et espacement.**

**Table 2. Type de tige filetée et dimensions d'espacement, en pouces (mm) pour envoi horizontal**

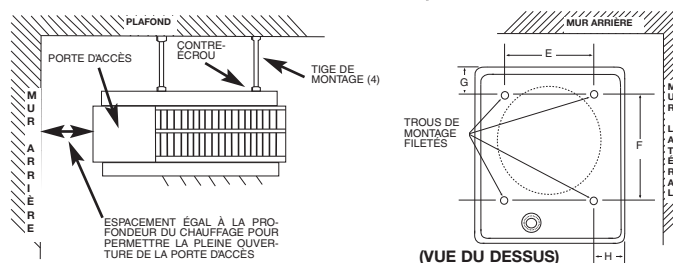
Puissance	Type de tige	A	B	C	D
3 - 5 kW	5/16 - 18	6 1/16 (153.9)	6 (152.4)	4 1/16 (103.1)	3/4 (19.0)
7.5 - 10 kW		11 3/8 (289.0)	8 7/8 (225.6)	5 1/8 (130.3)	3/4 (19.0)
15 - 20 kW			14 - 12 (368.3)	6 3/16 (157.2)	5/8 (16.0)
25 - 30 kW	3/8 - 16	10 9/16 (268.2)	14 - 12 (368.3)	6 3/16 (157.2)	5/8 (16.0)
40 - 50 kW		15 15/16 (404.9)	14 - 12 (368.3)	6 3/16 (157.2)	5/8 (16.0)

## Distribution horizontale (montage sur tige depuis le plafond)

1. Installez quatre tiges de montage filetées dans les trous filetés et fixez en place en utilisant des contre-écrous (Voir le Tableau 2).
2. Fixez bien les quatre tiges de montage au plafond (Référez-vous au Tableau 1 pour les espacements par rapport au mur et au plafond, et au Tableau 2 pour l'écartement des tiges de montage).

**Table 3. Type de tige filetée et dimensions d'espacement, en pouces (mm) pour distribution verticale**

Puissance	Type de tige	E	F	G	H
3 - 5 kW	5/16 - 18	6 (152.4)	9 3/4 (247.7)	2 (50.8)	4 1/16 (103.1)
7.5 - 20 kW		8 7/8 (225.6)	14 5/8 (371.6)	2 (50.8)	5 1/8 (130.3)
25 - 30 kW	3/8 - 16	14 1/2 (368.3)	21 1/4 (539.8)	2 3/16 (56.0)	6 3/16 (157.2)



**Figure 2. Montage à distribution verticale et espacement.**

## Distribution verticale (montage sur tige depuis le plafond)

1. Enlevez les boulons des trous filetés à l'arrière du radiateur.
2. Installez quatre tiges de montage filetées dans les trous filetés et fixez en place en utilisant des contre-écrous.
3. Fixez bien les quatre tiges de montage au plafond (Référez-vous au Tableau 1 pour les espacements par rapport au mur et au plafond, et au Tableau 3 pour l'écartement des tiges de montage).

## Circuit d'alimentation (secteur)

1. Ne branchez le radiateur que sur un secteur conforme (tension/ampérage/fréquence) à la spécification de la plaque signalétique.
2. Le câblage sur site doit être correctement dimensionné pour supporter l'ampérage conformément à NEC.
3. La porte d'accès est à charnière. Il y a une ou deux vis accessibles depuis le dessous qu'il faut desserrer pour obtenir l'accès. Ce sont des vis de type imperdable, donc n'essayez pas de les enlever.
4. Une pastille à enfoncer est fournie au dos du radiateur près du bornier d'alimentation et près du connecteur de la carte de contrôle. Le passage près de la carte de contrôle peut recevoir un conduit de 1/2" (12,7 mm). Celui près du bornier d'alimentation a plusieurs diamètres possibles. Utilisez le diamètre à enfoncer qui correspond à votre taille de conduit d'arrivée secteur.
5. Une borne de raccordement de terre est fournie près de l'emplacement d'arrivée du secteur. Le fil d'arrivée de terre doit y être connecté avant d'effectuer toute autre connexion.
6. La carte de terminaison d'alimentation est équipée d'une boîte à bornes de taille à accepter le bon calibre de fils d'arrivée du secteur. Du fil prévu pour supporter 600 V et 60°C est adéquat pour le circuit d'alimentation secteur du radiateur. La composition des fils vers le radiateur peut être en aluminium ou en cuivre jusqu'au bornier. Du fil en cuivre est cependant recommandé et doit être utilisé pour le commutateur de coupure intégré.
7. Chaque radiateur possède un schéma de câblage sur l'intérieur de sa porte d'accès. Consultez ce schéma avant de réaliser de quelconques connexions sur le site.

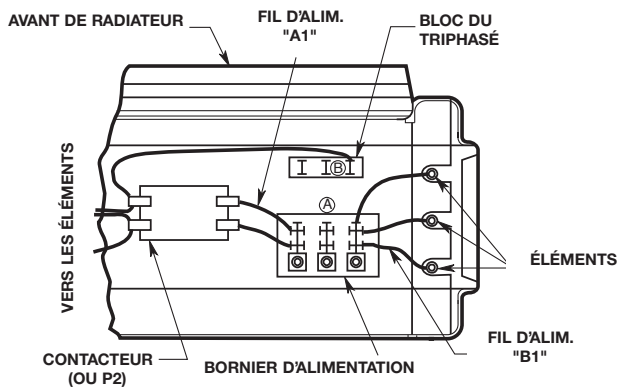
**Note importante – Couple des bornes à vis d'installation:**

Durant le transport il est possible que les connexions par bornes à vis se soient desserrées. Après l'installation et avant d'allumer le dispositif de chauffage, vérifiez le serrement approprié au couple minimal recommandé de toutes les vis à fixation selon l'étiquette apposée sur l'appareil.

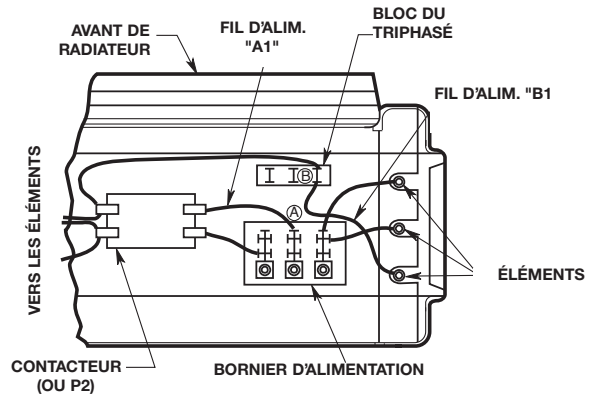
8. Des connexions en secteur monophasé ou triphasé peuvent être utilisées avec les radiateurs de modèles MUH0521, MUH0581, MUH072, MUH078, MUH102, MUH108 et MUH158. Ces appareils sont câblés en usine pour un raccordement sur du secteur monophasé. Si ces radiateurs doivent être alimentés en secteur

monophasé. Si ces radiateurs doivent être alimentés en secteur triphasé, reconnectez les fils comme c'est indiqué au schéma de câblage fixé sur le radiateur. Des informations supplémentaires peuvent être trouvées en examinant les illustrations de câblage données aux Figures 3a à 3c et en suivant les instructions données cidessous.

Sur les modèles MUH0521, MUH0581, MUH072, MUH078, MUH102 et MUH108 (Figure 3a et 3b), ne déplacez que les deux fils marqués "A1" et "B1"; ne déplacez ou ne modifiez aucun autre câblage. Le fil d'alimentation d'éléments chauffants marqué "B1" qui est connecté en usine au bornier monophasé doit être déplacé à la borne "B" sur le bornier du triphasé.

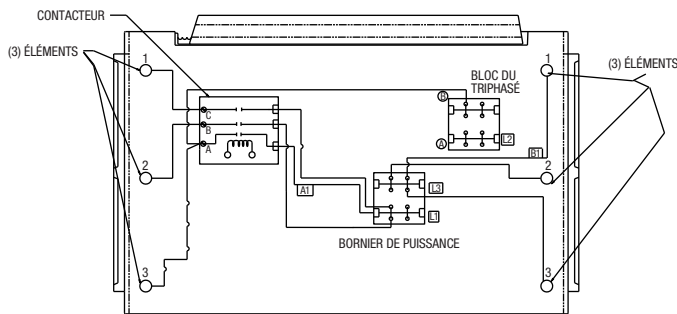


**CÂBLAGE D'USINE POUR ALIMENTATION EN MONOPHASÉ**

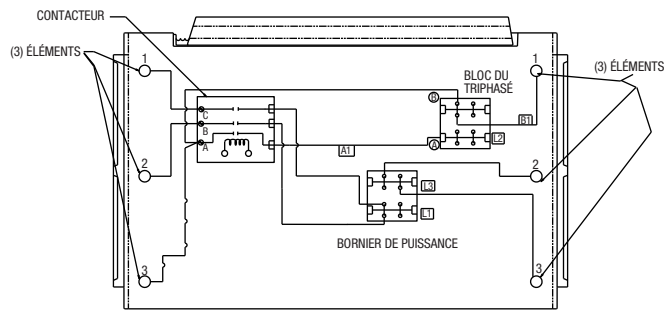


**CÂBLAGE D'USINE POUR ALIMENTATION EN TRIPHASÉ**

**Figure 3a. Raccordements d'alimentation pour du secteur monophasé et triphasé (MUH0521, MUH0581)**



**CÂBLAGE D'USINE POUR ALIMENTATION EN MONIPHASÉ**



**CÂBLAGE D'USINE POUR ALIMENTATION EN TRIPHASÉ**

**Figure 3b. Raccordements d'alimentation pour du secteur monophasé et triphasé (MUH072, MUH078, MUH102, MUH108)**

Pour MUH072, MUH078, MUH102 et MUH108, le fil « A1 » doit être déplacé du bornier d'alimentation à la borne « A » du bornier triphasé (Figure 3b). Pour MUH0521 et MUH0581, le fil "A1" doit être déplacé vers la borne "A" (milieu) du bornier d'alimentation (Figure 3a).

Le modèle MUH158 (Figure 3c) possède des bornes pour triphasé située près des relais (contacteurs). Ne déplacez que les deux fils marqués "C1" et "D1" de chacun de ces deux bornier pour triphasé sur la borne "B". Ne déplacez ou ne modifiez aucun autre câblage.

- Des accessoires électriques, soit en kits ou en options installées en usine, ont leur connexion indiquée en lignes pointillées sur le schéma de câblage du radiateur.
- Radiateur en 208/240 volts : Les radiateurs sont câblés en usine pour du secteur 240 V. Quand un tel radiateur doit être alimenté en 208 V, les fils du transformateur DOIVENT être permutés. Pour des appareils de puissance 30/40 kW ou plus, permutez les fils de primaire ORANGE et ROUGE. Le fil NOIR est pour le COMMUN du transformateur (50 VA) fourni sur les radiateurs de forte puissance. Pour les radiateurs de puissance moindre, permutez les fils de primaire NOIR et ROUGE. Le fil de BLANC est pour le COMMUN du transformateur fourni avec ces radiateurs. Référez-vous toujours au schéma de câblage sur l'intérieur de porte du radiateur avant d'effectuer ces changements de connexion au primaire du transformateur.

**ATTENTION :** Pour éviter la possibilité d'un incendie ou des dommages à l'appareil de chauffage, si un thermostat à deux stages est fourni, il DOIT être câblé de sorte que le Stage 1 allume l'élément de chauffage arrière (où se situe le contrôl du ventilateur) en premier et l'éteigne en dernier. Le Stage 2 DOIT allumer les éléments autres que l'élément

dernier. Le Stage 2 DOIT allumer les éléments autres que l'élément arrière lorsqu'il y a un besoin supplémentaire de chaleur et ceux-ci s'allumeront en dernier et s'éteindront en premier.

### Câblage de contrôle

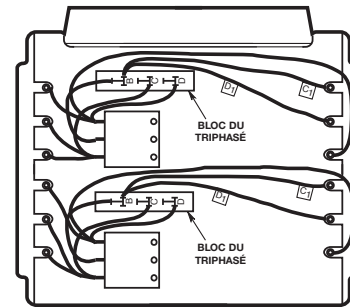
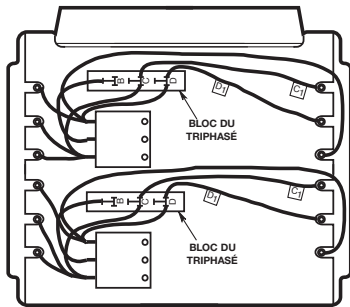
**⚠ Avertissement ⚠**

**LA TENSION SECTEUR EST PRÉSENTE SUR CERTAINES BORNES DE LA CARTE DE TERMINAISON DES CONTRÔLES. COUPEZ TOUJOURS L'ALIMENTATION SECTEUR EN AMONT DU RADIATEUR AVANT DE RÉALISER N'IMPORTE QUELLES CONNEXIONS À LA CARTE DE CONTRÔLE AFIN D'ÉVITER UNE POSSIBLE COMMOTION ÉLECTRIQUE.**

- Utilisez du fil isolé Classe 1 de NEC, supportant 600 V, pour tout câblage du circuit de contrôle.
- Utilisez une cosse sertie en fourche sur les extrémités de fil pour réaliser la connexion à la carte de contrôle si plus d'un fil doit arriver sous la vis de terminaison.
- Sur les radiateurs non fournis avec un contacteur interne (3 et 5 kW), référez-vous à la Figure 4 comme schéma de câblage.

**REMARQUE :** Le câblage de thermostat et de circuit de contrôle doit être prévu pour supporter la pleine charge du radiateur (par exemple un MUH0581 est spécifié pour 24 ampères).

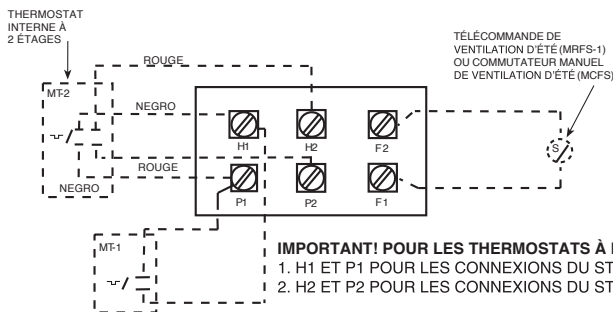
- Sur les radiateurs fournis avec un contacteur interne (7 et plus), référez-vous à la Figure 5 comme schéma de câblage. Le câblage pour le contrôle doit au moins être de calibre 18 AWG.



### CÂBLAGE D'USINE POUR ALIMENTATION EN MONOPHASÉ

### CÂBLAGE D'USINE POUR ALIMENTATION EN TRIPHASÉ

Figure 3c. Raccordements d'alimentation pour du secteur monophasé et triphasé (MUH158)

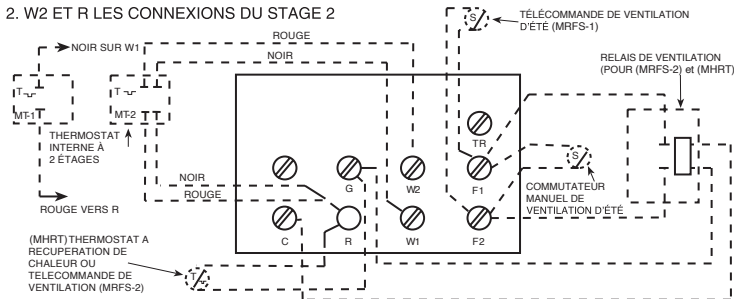


**IMPORTANT! POUR LES THERMOSTATS À DEUX STAGES, UTILISEZ :**  
 1. H1 ET P1 POUR LES CONNEXIONS DU STAGE 1  
 2. H2 ET P2 POUR LES CONNEXIONS DU STAGE 2

Figure 4. Carte de terminaison de commandes (pour radiateurs sans contacteur)

**IMPORTANT! POUR LES THERMOSTATS À DEUX STAGES, UTILISEZ :**

- W1 ET R POUR LES CONNEXIONS DU STAGE 1
- W2 ET R LES CONNEXIONS DU STAGE 2



NOTES :

- TYPE DE CARTE DE RACCORDEMENT UTILISÉ AVEC LES MODÈLES MUH0321, MUH0371, MUH0381, MUH0521, MUH0571, ET MUH0581.
- QUAND LE RADIATEUR EST CÂBLÉ POUR DU MONOPHASÉ, RELIEZ H1 ET H2. SI UN THERMOSTAT UNIPOLAIRE EST UTILISÉ SUR UN RADIATEUR EN MONOPHASÉ, BRANCHEZ SES FILS SUR P1 ET H1.
- DES THERMOSTATS ALIMENTÉS PAR TENSION EXTÉRIEURE SONT À CONSIDÉRER COMME À UN SEUL ÉTAGE.

NOTES :

- TYPE DE CARTE DE RACCORDEMENT UTILISÉ AVEC LES MODÈLES MUH0321, MUH0371, MUH0381, MUH0521, MUH0571 ET MUH0581.
- ÔTEZ LE CAVALIER ENTRE W1 ET W2 QUAND UN THERMOSTAT À 2 ÉTAGES EST UTILISÉ.
- \*SEULEMENT UN DE CES ACCESSOIRES PEUT ÊTRE INSTALLÉ SUR UN MÊME RADIATEUR.
- DES THERMOSTATS ALIMENTÉS PAR TENSION EXTÉRIEURE SONT À CONSIDÉRER COMME À UN SEUL ÉTAGE.

Figure 5. Carte de terminaison de commandes (pour radiateurs avec contacteur)

# INSTRUCTIONS D'UTILISATION

1. Le radiateur doit être correctement installé avant d'être mis en marche.
2. Mettez le radiateur en marche (ON) au panneau de contrôle principal.
3. Là où c'est applicable, référez-vous aux instructions d'accessoires de contrôle en ce qui concerne le bon fonctionnement des accessoires ou contrôles utilisés avec le radiateur.

## Réinitialisation de la commande antisurchauffe de sécurité (option installée en usine seulement)

Le limiteur thermique est placé à l'intérieur à l'arrière du radiateur. Sur les modèles 3 kW et 5 kW, l'accès au bouton de réenclenchement est sur le côté droit (lorsque l'on fait face à l'arrière du radiateur). Sur tous les autres modèles l'accès est près du dessus à l'arrière du radiateur. Le limiteur à réenclenchement manuel est monté en série avec la protection à recyclage automatique (limiteur). Le limiteur à réenclenchement manuel ne se réinitialise pas tant que le radiateur n'est pas refroidi et que le bouton n'est pas enfoncé.

### ⚠ AVERTENCIA ⚠

NO ALTERE NI PUENTEE NINGÚN LÍMITE DE SEGURIDAD INTERNO DEL CALEFACTOR.

### PRECAUCION ⚠

ATTENTION: SI LE CONTRÔLE DE SÉCURITÉ EST ACTIVÉ RÉPÉTEMENT APRÈS LE REMPLACEMENT, NON ESSAYEZ À NOUVEAU D'UTILISER LE CHAUFFAGE. S'IL LE FAIT, LE CHAUFFAGE PEUT SOUFFRIR DES DOMMAGES PERMANENTS, OU PROVOQUER UN INCENDIE OU UN RISQUE SÉCURITÉ.

## GARANTIE LIMITÉE

Tous les produits fabriqués par Marley Engineered Products sont garantis contre les défauts au niveau de la main-d'oeuvre et des matériaux pendant un (1) an de la date d'achat, à l'exception des éléments chauffants qui sont garantis contre les défauts de fabrication pendant cinq ans à compter de la date d'achat. Cette garantie ne s'applique pas en cas de dommages découlant d'un accident, d'une mauvaise utilisation ou d'une modification, ni où la tension connectée est de plus de 5 % au-dessus de la tension de la plaque signalétique, ni où de l'équipement incorrectement installé ou câblé ou entretenu de manière non conforme aux instructions d'installation du produit. Cette garantie ne s'applique pas aux produits remis à neuf. Toutes les réclamations à des fins de garantie doivent être accompagnées par la preuve de la date d'achat.

Le client est responsable de tous les coûts du retrait ou de la réinstallation des produits, y compris les coûts de main-d'oeuvre découlant du retour des produits. Dans les limites de cette garantie, les unités non opérationnelles doivent être retournées à Marley Engineered Products. À notre option, nous réparerons ou remplacerons, sans frais pour le client et avec le frêt de retour du produit payé par Marley. Il est convenu qu'une telle réparation ou remplacement est la solution exclusive disponible de Marley Engineered Products.

LES GARANTIES CI-DESSUS SONT AU LIEU DE TOUTES LES AUTRES GARANTIES EXPRESSES OU IMPLICITES DE MARCHANDABILITÉ ET D'ADÉQUATION À UNE FIN PARTICULIÈRE QUI DÉPASSE LES GARANTIES EXPRIMÉES SUSMENTIONNÉES ET SONT PAR LES PRÉSENTES REJETÉES ET EXCLUES DU PRÉSENT ACCORD. MARLEY ENGINEERED PRODUCTS NE DOIT PAS ÊTRE TENU RESPONSABLE DES DOMMAGES DE CONSÉQUENCE DÉCOULANT DE L'UTILISATION DU PRODUIT, QUE CE SOIT PAR NÉGLIGENCE, RESPONSABILITÉ, RESPONSABILITÉ STRICTE OU CONTRAT.

Certains États/provinces ne permettent pas l'exclusion ou la limitation de dommages incidentels ou consécutifs. L'exclusion ou la limitation ci-haut peuvent ne pas s'appliquer dans votre cas. Cette garantie vous octroie des droits juridiques spécifiques. Vous pourriez avoir d'autres droits variant d'un État/province à l'autre. Communiquez avec Marley Engineered Products à Bennettsville, SC, au 1 800 642-4328. Les produits retournés à l'usine doivent être accompagnés d'une autorisation de retour et d'une étiquette d'identification de service. Les deux sont disponibles de Marley Engineered Products. Lors de la demande d'une autorisation de retour, indiquez tous les numéros de catalogue illustrés sur les produits.

## POUR OBTENIR UNE RÉPARATION OU DES PIÈCES SOUS GARANTIE, DE MÊME QUE DES INFORMATIONS GÉNÉRALES

1. Réparations et pièces sous garantie 1-800-642-4328
2. Achat de pièces de rechange 1-800-654-3545
3. Informations générales sur les produits [www.marleymep.com](http://www.marleymep.com)

**Remarque :** Lorsque vous demandez une intervention, ayez toujours en main les informations suivantes :

1. Numéro de modèle du produit
2. Date de fabrication
3. Numéro de pièce ou description

# INSTRUCTIONS D'ENTRETIEN

Il est important de garder propre le radiateur. Votre radiateur vous fournira des années de bon service et de confort avec juste un minimum de soins. Pour assurer son fonctionnement efficace, suivez les instructions simples ci-dessous :

### ⚠ AVERTISSEMENT ⚠

TOUTE INTERVENTION DE SERVICE AU-DELÀ D'UN SIMPLE NETTOYAGE, QUI NÉCESSITE UN DÉMONTAGE, DEVRA ÊTRE RÉALISÉE PAR DU PERSONNEL DE SERVICE QUALIFIÉ.

### ⚠ AVERTISSEMENT ⚠

POUR RÉDUIRE LE RISQUE DE DÉPART D'INCENDIE ET DE COMMOTION ÉLECTRIQUE OU DE BLESSURE, DÉBRANCHEZ TOUTE ALIMENTATION ÉLECTRIQUE ALLANT AU RADIATEUR EN AMONT AU PANNEAU DE SERVICE, ET VÉRIFIEZ QUE L'ÉLÉMENT DE CHAUFFE EST FROID AVANT D'INTERVENIR POUR DU SERVICE OU DE L'ENTRETIEN.

## Instructions de nettoyage par l'utilisateur :

1. Une fois que le radiateur est froid, vous pouvez utiliser un aspirateur avec son accessoire brosse pour éliminer la poussière et les peluches des surfaces extérieures du radiateur, y compris les ouvertures de la grille.
2. Avec un chiffon humide, enlevez toute poussière et peluche de la grille et des surfaces extérieures.
3. Remettez le radiateur sous tension et vérifiez son bon fonctionnement.

## Instructions de nettoyage d'entretien : (Ne doit être exécuté que par du personnel de service qualifié)

Au moins une fois par an le radiateur doit être nettoyé et vérifié par une personne de service qualifiée afin d'assurer un fonctionnement sûr et efficace. Cela doit inclure si nécessaire l'aspiration des poussières et un contrôle du bon serrage de tous les raccordements par cosses, avec un couple recommandé comme spécifié sur l'étiquette apposée sur l'unité. Une fois le nettoyage et le service terminés, le radiateur doit être complètement remonté et son bon fonctionnement vérifié.



**Marley**<sup>®</sup>  
Engineered Products

470 Beauty Spot Rd. East  
Bennettsville, SC 29512 USA