

F Series Fan Forced Ceiling Mounted Heaters

Installation, Operation & Maintenance Instructions

Table 1. Specifications

Model Number	Volts	Watts	BTU/HR	Amps	Phase
F1500	120	1500	5,120	12.5	1
F3007	277	3000/1500*	10,239	10.8	1
F4008	208	4000/2000*	13,652	19.2	1
F4004	240 208	4000/2000* 3000/1500*	13,652/10,239 10,239/5,120	16.7/14.4 14.4/7.2	1
F4007	277 240	4000/2000* 3000/1500*	13,652/6,826 10,239/5,120	14.4/12.5 12.5/6.2	1
F4804	240/208	4800/3600*	16,382/12,287	20.0/17.3	1
F4807	277/240	4800/3600*	16,382/12,287	17.3/15.0	1
F3003	347	3000	10,239	8.6	1
F4003	347	4000	13,652	11.5	1

Model Number	Volts	Watts	BTU/HR	Amps	Phase
F4006	600	4000	13,652	6.7	1
F4803	347	4800	16,382	13.8	1
F4806	600	4800	16,382	8	1
F48483	480	4800	16,382	5.8	3
F48483LV**	480	4800	16,382	5.8	3

**Includes 24V Control Relay

*Factory wired at higher wattage.

IMPORTANT INSTRUCTIONS



WARNING



WHEN USING ELECTRIC APPLIANCES, BASIC PRECAUTIONS SHOULD ALWAYS BE FOLLOWED TO REDUCE THE RISK OF FIRE, ELECTRIC SHOCK, AND INJURY TO PERSONS, INCLUDING THE FOLLOWING:

1. Read all instructions before installing or using this heater.
2. This heater is hot when in use. To avoid burns, do not let bare skin touch hot surfaces. Keep combustible materials, such as furniture, pillows, bedding, papers, clothes, etc. and curtains at least 3 feet (0.9 m) from the front of the heater.
3. Extreme caution is necessary when any heater is used by or near children or invalids and whenever the heater is left operating and unattended.
4. Do not operate any heater after it malfunctions. Disconnect power at service panel and have heater inspected by a reputable electrician before using.
5. Do not use outdoors.
6. To disconnect heater, turn controls to off, and turn off power to heater circuit at main disconnect panel.
7. Do not insert or allow foreign objects to enter any ventilation or exhaust opening as this may cause an electric shock, fire, or damage to the heater.

8. To prevent a possible fire, do not block air intake or exhaust in any manner.
9. A heater has hot and arcing or sparking parts inside. Do not use it in areas where gasoline, paint, or flammable liquids are used or stored.
10. Use this heater only as described in this manual. Any other use not recommended by the manufacturer may cause fire, electric shock, or injury to persons.
11. This heater is intended for comfort heating applications and not intended for use in special environments. Do not use in damp or wet locations such as marine or greenhouse or in areas where corrosive or chemical agents are present.
12. When installing, see INSTALLATION INSTRUCTIONS for additional warnings and precautions.
13. For safe and efficient operation, and to extend the life of your heater, keep your heater clean - See MAINTENANCE INSTRUCTIONS.

SAVE THESE INSTRUCTIONS

INSTALLATION INSTRUCTIONS

⚠ WARNING ⚠

To prevent a possible fire, injury to persons or damage to the heater, adhere to the following:

1. Disconnect all power coming to heater at main service panel before wiring or servicing.
2. All wiring procedures and connections must be in accordance with the National and Local Codes having jurisdiction and the heater must be grounded.
3. Power supply must enter back box through the knockouts.
4. Verify the power supply voltage coming to heater matches the ratings as shown on the heater nameplate.

CAUTION: ENERGIZING HEATER AT A VOLTAGE GREATER THAN THE VOLTAGE PRINTED ON THE NAMEPLATE WILL DAMAGE THE HEATER AND VOID THE WARRANTY AND COULD CAUSE A FIRE.

5. **CAUTION** - High temperature, risk of fire, keep electrical cords, drapery, furnishings, and other combustibles at least 3 feet (0.9 m) from front of heater. Do not install heater behind doors, below towel racks, or in an area where it is subject to being blocked by furniture, curtains or storage materials. Hot air from the heater may damage certain fabrics and plastics.
6. To reduce the risk of fire, do not store or use gasoline or other flammable vapors and liquids in the vicinity of the heater.
7. This heater is to be ceiling mounted only using back box provided and may be installed with the back box recessed or surface mounted as described within this manual.
8. Risk of falling. The heater back box must be securely mounted to the building structure. The building structure must be capable of supporting the heater and all accessories (heater weighs approximately 25 lbs. (11.4 kg)).
9. The following minimum clearance must be maintained:
Sides of heater to adjacent wall - 12" (305 mm).
10. Do not operate the heater without the grille installed.
11. Do not use this heater for dry out as the paint, plaster, sawdust and drywall sanding dust will permanently damage the heater and must be kept out of the heater.

6. Remove the desired knockout from the back box in the area behind the disconnect switch, install cable clamp and bring power supply cable into box leaving at least 6" (152 mm) of cable in box for wiring.
7. Fit heater back box into hole in ceiling and secure in position using mounting holes in side of back box with four (4) fasteners (not provided). See WARNING Number 8.
8. If there are any accessories to be installed with this heater, these should be installed at this time. Refer to the instructions provided with the accessories.
9. Remove the wiring compartment cover from heater assembly by removing two (2) screws. Mount the heater to the back box using four (4) screws previously removed in step 5.
10. Attach the supply ground conductor to the green colored ground screw in the heater back box.
11. Connect the power supply lead wires to the blue colored lead wires on the disconnect switch using appropriately sized wire connectors. See Wiring Diagrams Figure 1A-1E.
12. Feed the heater (or accessory if provided) lead wires through the smooth hole in the disconnect switch bracket and connect these leads to the black colored lead wires from the disconnect switch using appropriately sized wire connectors. See Wiring Diagrams Figure 1A-1E.
13. Carefully bundle lead wires under disconnect switch bracket and secure bracket to back box using two (2) screws removed in step 5.
14. Install the wiring compartment cover removed in step 9. Push the disconnect switch to the "ON" position.
15. Install the front cover using the four (4) standard cross recess or the spanner tamper resistant screws provided with the heater.

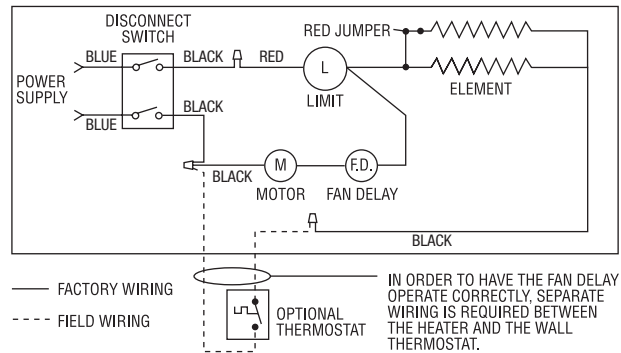


Figure 1A - Single Phase Ceiling Heaters
For reduced wattage, remove red jumper

Installation of Recessed Mounted Heater in Plaster Ceiling

1. Determine the desired mounting location of the heater.
2. Cut a 14-1/2" (368 mm) x 18-3/8" (466 mm) hole in the ceiling for the recessed back box. Maintain 12" (305 mm) minimum distance between edge of hole and adjacent wall.
3. Bring the power supply cable to the heater location providing at least 12" (304 mm) of cable for wiring. Refer to NEC (National Electrical Code) for proper wire size.
4. Remove front cover and heater assembly from carton.

NOTE: Screws to mount the front cover are packed separately in an envelope. The kit contains four (4) standard philips (cross) recess screws and four (4) spanner head screws if tamper resistance is required.

5. Remove the heater assembly (4 screws) and disconnect switch assembly (2 screws) from the back box.

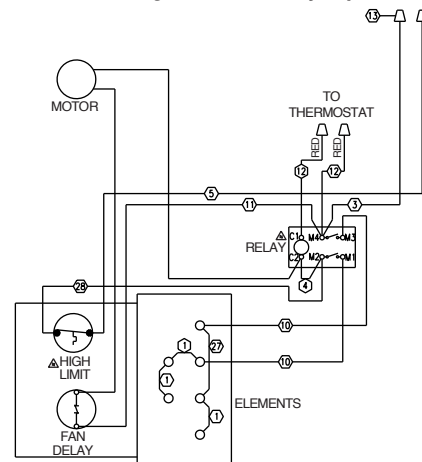


Figure 1B - Wiring Diagram for 4800 Watts, 208 Volts
Single Phase Ceiling Heater

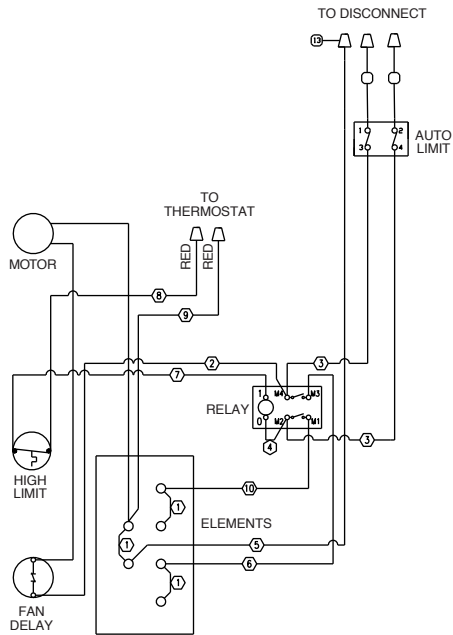


Figure 1C - Wiring Diagram for Three Phase Ceiling Heaters

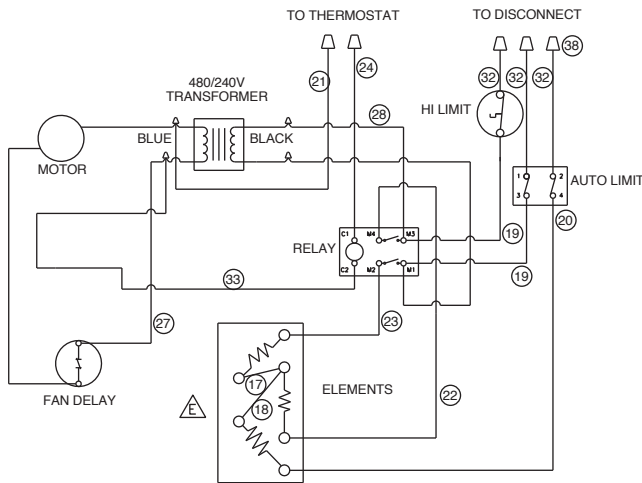


Figure 1D - Wiring Diagram for 4800 Watts, 480 Volts Three Phase Ceiling Heaters

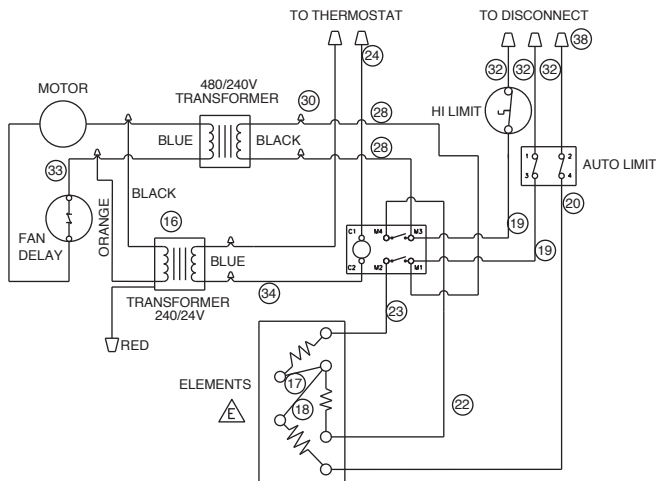


Figure 1E - Wiring Diagram for 4800 Watts, 480 Volts Three Phase Ceiling Heaters with Low Voltage Control

Installation of Heater Using Model F-SM Surface Mounting Frame

1. Determine the desired location for the heater.
2. Follow steps 3, 4, 5, and 6 of the "Installation of Recessed Mounted Heater in Plaster Ceiling" instructions and WARNING Number 8, page 2.

NOTE: The power supply cable must be routed between the heater back box and the surface mounting frame.

3. Mount the back box to the ceiling using mounting holes in the back of the back box and four (4) fasteners (not provided).
4. Fit the Surface Mounting Frame over the back box.
5. Complete the installation by following steps 8 through 15 of the "Installation of Recessed Mounted Heater in Plaster Ceiling" instructions.

Installation of Heater in T-Bar Ceiling Using Model F-TBF Frame Kit

1. Determine the desired location for the heater.
2. Remove heater from carton, remove front cover, heater assembly and disconnect switch from back box as described in steps 4 and 5 of the "Installation of Recessed Mounted Heater in Plaster Ceiling" instructions.
3. Mount the heater back box to the F-TBF kit frame using the four (4) screws provided with kit. See Figure 2.

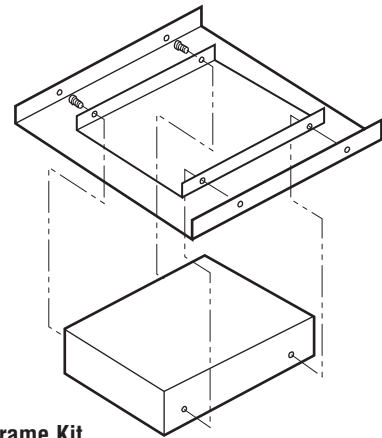


Figure 2 - F-TBF Frame Kit

4. Place the F-TBF frame with heater back box installed in ceiling framing and secure in position. Secure the frame to the building structure as necessary using appropriate wire to prevent the heater and frame from falling (See WARNING Number 8, page 2).
5. Bring power supply cable to heater location, remove the desired knockout in back box and install cable using an appropriate clamp, leaving at least 12" (25mm) of wire in box for connections. Refer to NEC (National Electrical Code) for proper wire size.

NOTE: Power supply cable must enter back box in location behind the disconnect switch assembly.

6. Complete the installation by following steps 8 through 15 of the "Installation of Recessed Mounted Heater in Plaster Ceiling" instructions.

OPERATING INSTRUCTIONS

1. Heater must be properly installed before operation.
2. Turn the thermostat that is provided to control the heater to the full counter-clockwise direction (LO or OFF setting).
3. Turn power to heater ON at main service panel.
4. Check heater to confirm it is not operating.
5. Turn thermostat to the full clockwise position (HI setting). This should energize the heater. In a short time, the fan should come on and warm air should flow from the heater.

NOTE: This heater is provided with a fan delay control that allows the heating element to warm prior to the fan coming on. This delay will also allow the fan to operate for a short period after the the heating element has been turned off to remove the residual heat from the heater.

6. After the room has reached the desired temperature, adjust the thermostat back to the desired temperature setting. The fan should turn off in a short time.

NOTE: For the best results, the heater should be left "ON" constantly during the heating season as the thermostat, when properly set, will maintain the desired temperature.

MAINTENANCE INSTRUCTIONS

It is important to keep this heater clean. Your heater will give you years of service and comfort with only minimum care. To assure efficient operation follow the simple instructions below.

WARNING

ALL SERVICING BEYOND SIMPLE CLEANING THAT REQUIRES DISASSEMBLY SHOULD BE PERFORMED BY QUALIFIED SERVICE PERSONNEL.

WARNING

TO REDUCE RISK OF FIRE AND ELECTRIC SHOCK OR INJURY, DISCONNECT ALL POWER COMING TO HEATER AT MAIN SERVICE PANEL AND CHECK THAT THE ELEMENT IS COOL BEFORE SERVICING OR PERFORMING MAINTENANCE.

User Cleaning Instructions:

(To be performed at least annually)

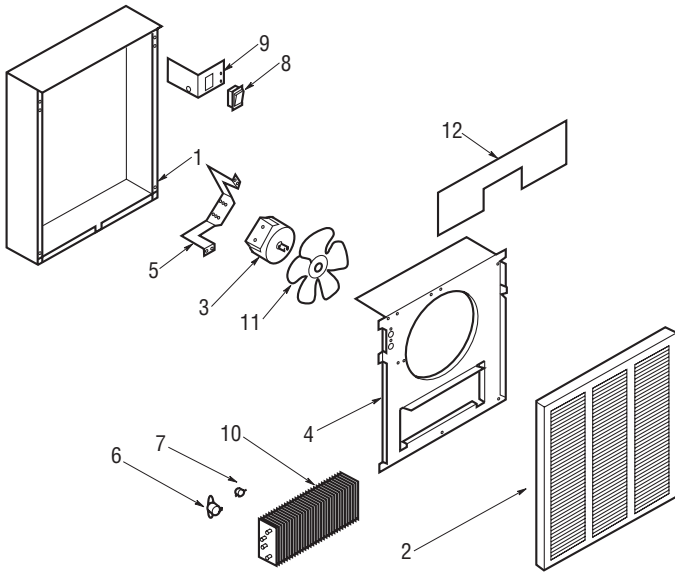
1. After the heater has cooled, a vacuum cleaner with brush attachment may be used to remove dust and lint from exterior surfaces of the heater including the grille openings.
2. With a damp cloth, wipe dust and lint from grille and exterior surfaces.
3. Return power to heater and check to make sure it is operating properly

Maintenance Cleaning Instructions:

(To be performed only by Qualified Service Personnel)

At least annually, the heater should be cleaned and serviced by a qualified service person to assure safe and efficient operation. This should include the removal of the grille and, as necessary the heater from the backbox to clean residue from the unit. After completing the cleaning and servicing, the heater should be fully reassembled and checked for proper operation.

Replacement Parts



Ref. No.	Description	Part Number
1	Back Box	1203-2015-000
2	Front Cover	1402-2149-000
3	Motor, 208/240V	3900-2010-000
3	Motor, 240/277V	3900-2010-001
3	Motor, 120V	3900-2010-003
4	Fan Panel	4513-2042-000
5	Motor Mount	310914002
6	High Limit	410169001
7	Fan Delay	410074000
8	Disconnect Switch Disconnect Switch (3 Pole)	410170001 5216-2019-000
9	Disconnect Switch Bracket	1215-2058-000
10	Element-1500W, 120V	302012827
10	Element- 3000W, 277V Element- 3000W, 347V Element- 3000W, 600V	302012006 302012019 302012020
10	Element- 4000W, 208V Element- 4000W, 240V Element- 4000W, 277V Element- 4000W, 347V Element- 4000W, 600V	302012007 302012008 302012009 302012021 302012022
10	Element- 4000W, 208V, 3Ph Element- 4000W, 240V, 3Ph	1802-2075-000 1802-2075-002
10	Element- 4800W, 240V Element- 4800W, 277V Element- 4800W, 347V Element- 4800W, 600V Element- 4800W, 277V	302012010 302012011 302012023 302012024 302012011
10	Element- 4800W, 208V, 1/3Ph Element- 4800W, 240V, 3Ph Element- 4800W, 480V, 3Ph	1802-2075-001 1802-2075-003 1802-2075-804
11	Fan Blade	490030103
12	Wire Compartment Cover	4513-2037-000

LIMITED WARRANTY

All products manufactured by Marley Engineered Products are warranted against defects in workmanship and materials for one year from the date of purchase, except heating elements which are warranted against defects in workmanship and materials for five years from date of purchase. This warranty does not apply to damage from accident, misuse, or alteration; nor where the connected voltage is more than 5% above the nameplate voltage; nor to equipment improperly installed or wired or maintained in violation of the product's installation instructions. This warranty does not apply to refurbished products. All claims for warranty work must be accompanied by proof of the date of purchase.

The customer shall be responsible for all costs incurred in the removal or reinstallation of products, including labor costs, and shipping costs incurred to return products to Marley Engineered Products. Within the limitations of this warranty, inoperative units should be returned to Marley Engineered Products, and we will repair or replace, at our option, at no charge to you with return freight paid by Marley. It is agreed that such repair or replacement is the exclusive remedy available from Marley Engineered Products.

THE ABOVE WARRANTIES ARE IN LIEU OF ALL OTHER WARRANTIES EXPRESSED OR IMPLIED, AND ALL IMPLIED WARRANTIES OF MERCHANTABILITY AND FITNESS FOR A PARTICULAR PURPOSE WHICH EXCEED THE AFORESAID EXPRESSED WARRANTIES ARE HEREBY DISCLAIMED AND EXCLUDED FROM THIS AGREEMENT. MARLEY ENGINEERED PRODUCTS SHALL NOT BE LIABLE FOR CONSEQUENTIAL DAMAGES ARISING WITH RESPECT TO THE PRODUCT, WHETHER BASED UPON NEGLIGENCE, TORT, STRICT LIABILITY, OR CONTRACT.

Some states do not allow the exclusion or limitation of incidental or consequential damages, so the above exclusion or limitation may not apply to you. This warranty gives you specific legal rights, and you may have other rights which vary from state to state.

Contact Marley Engineered Products in Bennettsville, SC, USA, at 1-800-642-4328. Merchandise returned to the factory must be accompanied by a return authorization and service identification tag, both available from Marley Engineered Products. When requesting return authorization, include all catalog numbers shown on the products.

HOW TO OBTAIN WARRANTY SERVICE AND WARRANTY PARTS PLUS GENERAL INFORMATION

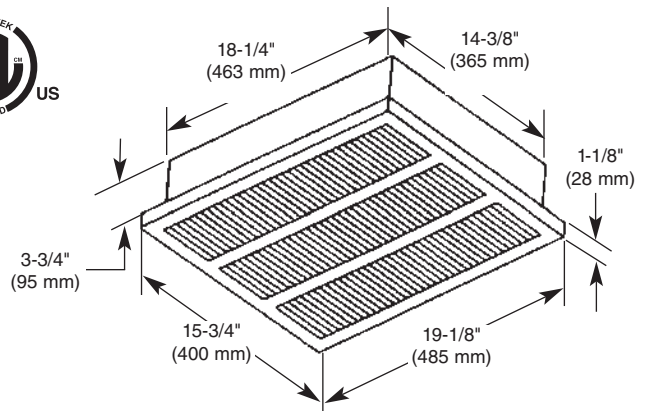
1. Warranty Service or Parts **1-800-642-4328**
2. Purchase Replacement Parts **1-800-654-3545**
3. General Product Information **www.marleymep.com**

Note: When obtaining service always have the following:

1. Model number of the product
2. Date of manufacture
3. Part number or description



470 Beauty Spot Rd. East
Bennettsville, SC 29512 USA



Serie F

Calefactores con ventilador para montaje en cielorraso

Instrucciones de instalación, utilización y mantenimiento

Tabla 1. Especificaciones

MODELO	VOLTAJE	POTENCIA	BTU/HORA	CORRIENTE	FASES
F1500	120	1500	5,120	12.5	1
F3007	277	3000/1500*	10,239	10.8	1
F4008	208	4000/2000*	13,652	19.2	1
F4004	240 208	4000/2000* 3000/1500*	13,652/10,239 10,239/5,120	16.7/14.4 14.4/7.2	1
F4007	277 240	4000/2000* 3000/1500*	13,652/6,826 10,239/5,120	14.4/12.5 12.5/6.2	1
F4804	240/208	4800/3600*	16,382/12,287	20.0/17.3	1
F4807	277/240	4800/3600*	16,382/12,287	17.3/15.0	1
F3003	347	3000	10,239	8.6	1
F4003	347	4000	13,652	11.5	1

*Cableado de fábrica para la mayor potencia.

MODELO	VOLTAJE	POTENCIA	BTU/HORA	CORRIENTE	FASES
F4006	600	4000	13,652	6.7	1
F4803	347	4800	16,382	13.8	1
F4806	600	4800	16,382	8	1
F48483	480	4800	16,382	5.8	3
F48483LV**	480	4800	16,382	5.8	3

** Incluye relé de control de 24 V.

INSTRUCCIONES IMPORTANTES

⚠️ ADVERTENCIA ⚠️

CUANDO SE UTILIZAN APARATOS ELÉCTRICOS, SIEMPRE DEBEN SEGUIRSE PRECAUCIONES BÁSICAS PARA REDUCIR EL RIESGO DE INCENDIO, DESCARGAS ELÉCTRICAS Y LESIONES A PERSONAS, ENTRE ELLAS LAS SIGUIENTES:

1. Lea todas las instrucciones antes de instalar o utilizar este calefactor.
2. Este calefactor se calienta cuando está en uso. Para evitar quemaduras, no toque las superficies calientes. Mantenga los materiales combustibles, tales como muebles, almohadas, ropa de cama, papeles, ropa y cortinas a más de 3 pies (0,9 m) del frente del calefactor.
3. Tome precauciones extremas cuando el calefactor sea usado por o cerca de niños o personas con problemas motrices y siempre que el calefactor se deje en funcionamiento sin vigilancia.
4. No utilice el calefactor si ha sufrido desperfectos. Desconecte la energía eléctrica en el panel de suministro y haga revisar el calefactor por un electricista matriculado antes de usarlo.
5. No lo use al aire libre.
6. Para desconectar el calefactor, apague los controles y desconecte el circuito de alimentación del calefactor en el panel eléctrico principal.

7. No inserte ni permita que objetos extraños penetren en las aberturas de entrada o salida de aire del calefactor pues se podría producir una descarga eléctrica, un incendio o averías en el calefactor.
8. Para evitar un posible incendio, no obstruya las entradas o salidas de aire del calefactor de ninguna manera.
9. El calefactor tiene en su interior piezas calientes y que pueden producir arcos o chispas. No use el calefactor en lugares donde se utilizan o almacenan gasolina, pintura o líquidos inflamables.
10. Utilice este calefactor únicamente como se describe en este manual. Cualquier otro uso no recomendado por el fabricante puede causar incendios, descargas eléctricas o lesiones personales.
11. Este calefactor está construido para ofrecer una calefacción adecuada en un ambiente normal y no para ser usado en ambientes especiales. No lo utilice en lugares húmedos o mojados tales como ambientes marinos o invernaderos o en zonas en las que haya elementos corrosivos o productos químicos.
12. Al instalarlo, vea las INSTRUCCIONES DE INSTALACIÓN donde encontrará advertencias y precauciones adicionales.
13. Para lograr un funcionamiento seguro y eficiente, y una mayor vida útil de su calefactor, manténgalo limpio. Vea las INSTRUCCIONES DE MANTENIMIENTO.

GUARDE ESTAS INSTRUCCIONES

INSTRUCCIONES DE INSTALACIÓN

⚠️ ADVERTENCIA ⚠️

Para evitar la posibilidad de incendios, lesiones personales o averías en el calefactor, cumpla las siguientes indicaciones:

1. Desconecte la alimentación del calefactor en el panel de suministro eléctrico antes de instalarlo o repararlo.
2. Todos los procedimientos de cableado y las conexiones deben cumplir con los códigos nacionales y locales pertinentes y el calefactor debe estar conectado a tierra.
3. La alimentación eléctrica debe entrar a la caja posterior a través de los accesos troquelados.
4. Verifique que el voltaje de alimentación del calefactor coincida con los valores indicados en su placa de identificación.

PRECAUCIÓN: SI EL VOLTAJE DE ALIMENTACIÓN DEL CALEFACTOR ES MAYOR QUE EL IMPRESO EN LA PLACA DE IDENTIFICACIÓN, DAÑARÁ EL CALEFACTOR, ANULARÁ LA GARANTÍA Y PODRÍA CAUSAR UN INCENDIO.

5. **PRECAUCIÓN** - el calefactor genera una temperatura elevada y existe el riesgo de incendio. No permita que haya cables eléctricos, objetos de tela, muebles y otros elementos combustibles a menos de 3 pies (0,9 m) del frente del calefactor. No instale el calefactor detrás de puertas ni debajo de toalleros o en lugares en los que pudiera resultar cubierto por muebles, cortinas o materiales almacenados. El aire caliente del calefactor puede dañar algunas telas y plásticos.
6. Para reducir el riesgo de incendio, no almacene ni utilice gasolina ni gases o líquidos inflamables cerca del calefactor.
7. Este calefactor se debe montar en el cielorraso utilizando únicamente la caja posterior suministrada. Se puede instalar con la caja posterior empotrada o sobre la superficie como se describe en este manual.
8. **Riesgo de caída.** La caja posterior del calefactor se debe asegurar firmemente en la estructura del edificio, la cual debe tener capacidad suficiente para sostener el calefactor y todos sus accesorios (el calefactor pesa aproximadamente 25 libras (11,4 kg)).
9. Se deben respetar las siguientes separaciones mínimas:
Lados del calefactor a pared adyacente: 12" (305 mm).
10. No utilice el calefactor sin haber instalado la rejilla.
11. No utilice este calefactor para tareas de secado pues la pintura, el yeso, el aserrín y el polvo producido por el lijado de las paredes dañarán permanentemente el calefactor y se debe evitar que estas materias penetren en su interior.

5. Desmonte el conjunto calefactor (4 tornillos) y retire el interruptor con su soporte (2 tornillos) de la caja posterior.
6. Quite el acceso troquelado de la caja posterior en la zona detrás del interruptor, instale la abrazadera para cable e introduzca el cable de alimentación en la caja dejando al menos 6" (152 mm) de cable dentro de la caja para la conexión.
7. Coloque la caja posterior del calefactor en el hueco del cielorraso y asegúrela en su posición mediante cuatro (4) tornillos (no suministrados) utilizando los orificios de montaje ubicados en los laterales de la caja. Vea la ADVERTENCIA n.º 8.
8. Si hay algún accesorio que deba ser instalado con este calefactor, hágalo ahora antes de continuar con el montaje. Consulte las instrucciones suministradas con los accesorios.
9. Retire los dos (2) tornillos que sujetan la tapa del compartimiento del cableado y desmonte la tapa del conjunto calefactor. Monte el calefactor en la caja posterior utilizando los cuatro (4) tornillos retirados en el paso 5.
10. Asegure el conductor de tierra del cable de alimentación bajo el tornillo verde de puesta a tierra ubicado en la caja posterior del calefactor.
11. Conecte los cables de alimentación a los cables azules del interruptor utilizando conectores de la medida adecuada. Vea los diagramas de cableado, figuras 1A a 1E.
12. Pase los cables del calefactor (o de los accesorios, si se han provisto) a través del orificio de bordes redondeados del soporte del interruptor y conéctelos con los cables negros del interruptor utilizando conectores de la medida adecuada. Vea los diagramas de cableado, figuras 1A a 1E.
13. Sujete cuidadosamente los cables bajo el soporte del interruptor y asegure el soporte a la caja posterior con los dos (2) tornillos retirados en el paso 5.
14. Instale la tapa del compartimiento del cableado que retiró en el paso 9. Pulse el interruptor en la posición de encendido "ON".
15. Instale la cubierta delantera utilizando los cuatro (4) tornillos con cabeza philips estándar o los tornillos de seguridad provistos con el calefactor.

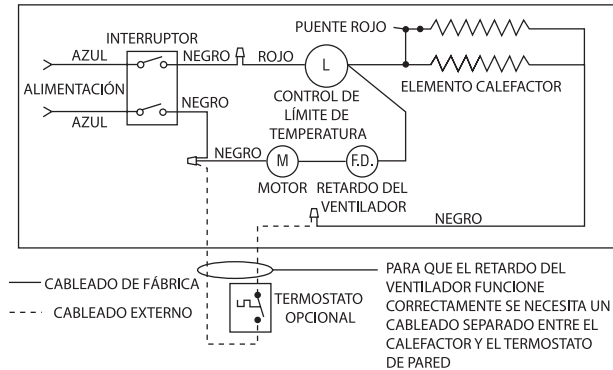


Figura 1A - Calefactor para cielorraso monofásico
Si desea la menor potencia, desmonte el puente rojo

Instalación del calefactor con montaje empotrado en cielorrasos de yeso

1. Determine la ubicación deseada para el calefactor.
2. Corte un hueco de 14-1/2" (368 mm) x 18-3/8" (466 mm) en el cielorraso para instalar la caja posterior empotrada. Mantenga una distancia mínima de 12" (305 mm) entre el borde del hueco y la pared adyacente.
3. Instale el cable de alimentación hasta el lugar de montaje del calefactor dejando al menos 12" (304 mm) de cable para la conexión. Para determinar la medida de cable correcta, consulte el NEC (Código Nacional Eléctrico Estadounidense).
4. Retire la cubierta delantera y el conjunto calefactor de la caja.

NOTA: los tornillos para montar la cubierta delantera se encuentran separados en un sobre. El juego contiene cuatro (4) tornillos estándar con cabeza philips (ranuras en cruz) y cuatro (4) tornillos de seguridad (en caso que se necesite resistencia a manipulaciones indebidas).

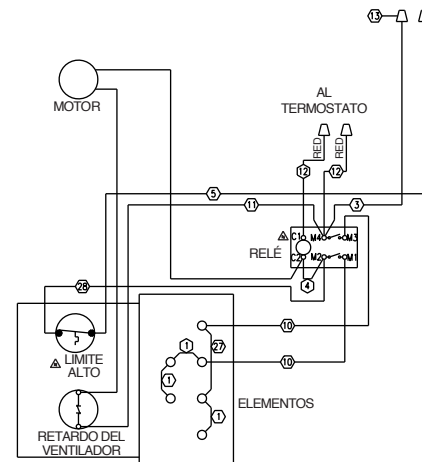


Figura 1B - Diagrama de cableado del calefactor para cielorraso monofásico, 208 V, 4800 W

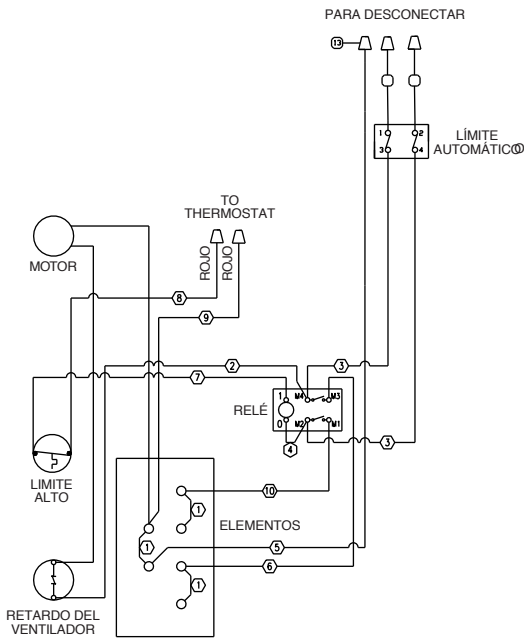


Figura 1C - Diagrama de cableado del calefactor para cielorraso trifásico

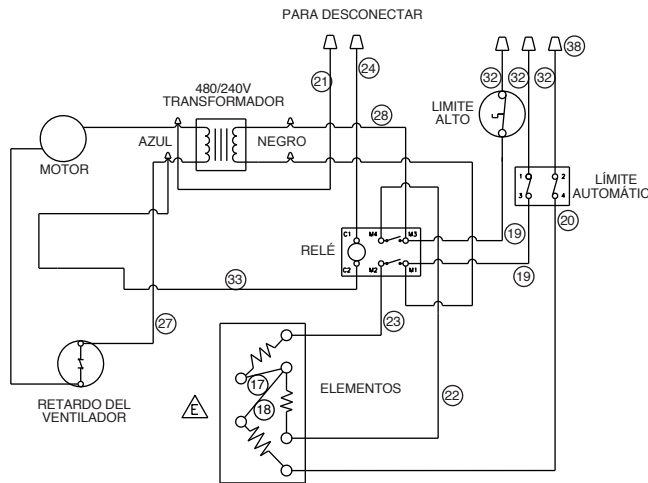


Figura 1D - Diagrama de cableado del calefactor para cielorraso trifásico, 480 V, 4800 W

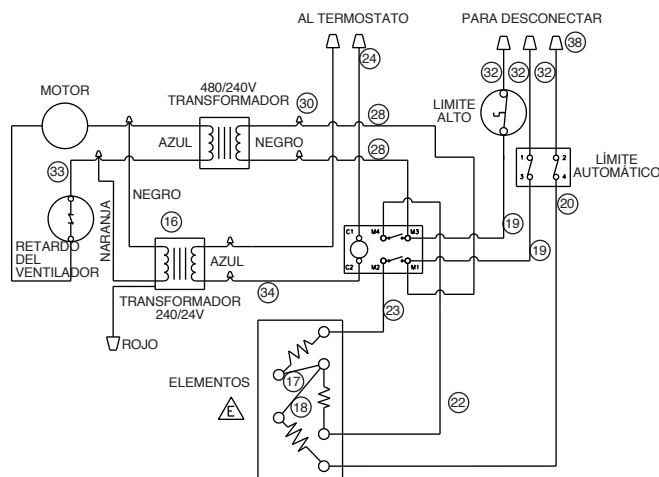


Figura 1E - Diagrama de cableado del calefactor para cielorraso trifásico, 480 V, 4800 W, con control de bajo voltaje

Instalación de un calefactor utilizando el marco para montaje en superficie modelo F-SM

1. Determine la ubicación deseada para el calefactor.
2. Siga los pasos 3, 4, 5 y 6 de las instrucciones "Instalación del calefactor con montaje empotrado en cielorrasos de yeso" y la ADVERTENCIA n.º 8 de la página 2.

NOTA: el cable de alimentación se debe pasar entre la caja posterior del calefactor y el marco para montaje en superficie.

3. Monte la caja posterior en el cielorraso mediante cuatro (4) tornillos (no suministrados) utilizando los orificios de montaje ubicados en la parte de atrás de la caja posterior.
4. Coloque el marco para montaje en superficie sobre la caja posterior.
5. Complete la instalación siguiendo los pasos 8 al 15 de las instrucciones "Instalación del calefactor con montaje empotrado en cielorrasos de yeso".

Instalación de un calefactor en cielorraso con perfiles en T utilizando un bastidor modelo F-TBF

1. Determine la ubicación deseada para el calefactor.
2. Retire el calefactor de la caja y desmonte la cubierta delantera, el conjunto calefactor y el interruptor de la caja posterior como se ha descrito en los pasos 4 y 5 de las instrucciones "Instalación del calefactor con montaje empotrado en cielorrasos de yeso".
3. Monte la caja posterior al juego de bastidor F-TBF utilizando los cuatro (4) tornillos provistos con el juego (vea la figura 2).

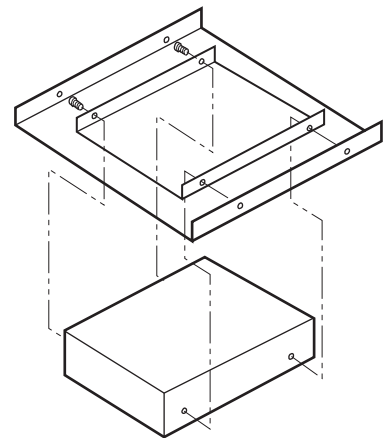


Figura 2 – Juego de bastidor F-TBF

4. Coloque el bastidor F-TBF con la caja posterior instalada en la estructura del cielorraso y asegúrelo en su posición. Asegure el bastidor a la estructura del edificio según sea necesario utilizando alambres de la medida apropiada para evitar la caída del calefactor y el bastidor (vea la ADVERTENCIA n.º 8 en la página 2).
5. Instale el cable de alimentación hasta el lugar de montaje del calefactor, retire el troquel deseado de la caja posterior y fije el cable con una abrazadera apropiada, dejando al menos 12" (250 mm) de cable dentro de la caja para la conexión. Para determinar la medida de cable correcta, consulte el NEC (Código Nacional Eléctrico Estadounidense).

NOTA: el cable de alimentación debe entrar en la caja posterior por un lugar detrás del soporte de montaje del interruptor.

6. Complete la instalación siguiendo los pasos 8 al 15 de las instrucciones "Instalación del calefactor con montaje empotrado en cielorrasos de yeso".

INSTRUCCIONES DE USO

1. El calefactor debe estar correctamente instalado antes de su uso.
2. Gire la perilla del termostato suministrado para controlar el calefactor hacia la izquierda, hasta alcanzar la posición LO (baja) u OFF (apagado), al final de su recorrido.
3. Encienda la alimentación eléctrica al calefactor en el panel principal.
4. Revise el calefactor para confirmar que no está funcionando.
5. Gire la perilla del termostato a la derecha hasta la posición HI (alta), al final de su recorrido. Esto deberá encender el calefactor. En poco tiempo se encenderá el ventilador y comenzará a fluir aire caliente del calefactor.

NOTA: este calefactor está equipado con un control de retardo del ventilador que permite que el elemento calefactor se caliente antes de encender el ventilador. Este retardo también permite que el ventilador funcione durante un cierto tiempo después de haber sido apagado el elemento calefactor para eliminar el calor residual del calefactor.

6. Una vez que el cuarto ha alcanzado la temperatura deseada, ajuste nuevamente el termostato a la temperatura deseada. El ventilador se apagará después de un corto tiempo.

NOTA: para obtener los mejores resultados, el calefactor deberá permanecer constantemente encendido durante la temporada en que se necesita calefacción pues el termostato, si está correctamente ajustado, mantendrá la temperatura deseada.

INSTRUCCIONES DE MANTENIMIENTO

Es importante mantener limpio este calefactor. Su calefactor le brindará años de servicio y comodidad con solo cuidados mínimos. Para asegurar el funcionamiento eficiente siga estas simples instrucciones.

ADVERTENCIA

CUALQUIER REPARACIÓN MÁS ALLÁ DE UNA SIMPLE LIMPIEZA, QUE REQUIERA DESMONTAR EL CALEFACTOR, DEBE SER REALIZADA POR UN ELECTRICISTA MATRICULADO.

ADVERTENCIA

PARA DISMINUIR EL RIESGO DE INCENDIO Y DE DESCARGAS ELÉCTRICAS O LESIONES, DESCONECTE LA ALIMENTACIÓN DEL CALEFACTOR DESDE EL TABLERO DE DISTRIBUCIÓN PRINCIPAL Y VERIFIQUE QUE EL ELEMENTO ESTÉ FRÍO ANTES DE REPARARLO O REALIZAR TAREAS DE MANTENIMIENTO.

Instrucciones de limpieza:

(Se realizará al menos una vez al año)

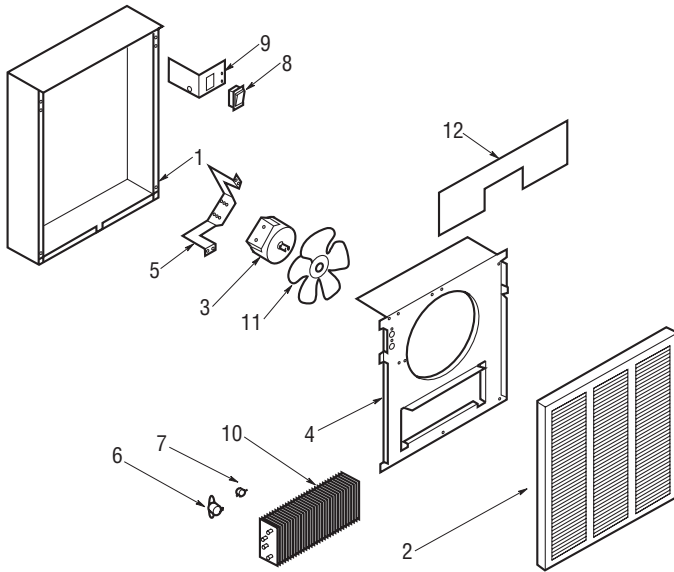
1. Luego de que el calefactor se haya enfriado, utilice una aspiradora con un cepillo para eliminar el polvo y pelusas de las superficies exteriores del calefactor incluyendo las aberturas de la rejilla.
2. Con un paño húmedo limpie el polvo y las pelusas de la rejilla y las superficies exteriores.
3. Vuelva a encender el calefactor y verifique su correcto funcionamiento.

Instrucciones de limpieza para mantenimiento:

(Solo puede ser realizada por electricistas matriculados)

Al menos una vez al año, el calefactor deberá ser limpiado y revisado por un electricista matriculado para asegurar un funcionamiento seguro y eficiente. Este proceso deberá incluir la remoción de la rejilla y, de ser necesario, del calefactor de la caja posterior para eliminar los residuos del interior de la unidad. Una vez finalizada la limpieza y la revisión, el calefactor se deberá montar nuevamente y verificar su correcto funcionamiento.

Piezas de repuesto



Posición	Descripción	N.º de pieza
1	Caja posterior	1203-2015-000
2	Cubierta delantera	1402-2149-000
3	Motor, 208/240 V	3900-2010-000
3	Motor, 240/277 V	3900-2010-001
3	Motor, 120 V	3900-2010-003
4	Panel del ventilador	4513-2042-000
5	Soporte del motor	310914002
6	Control de límite de temperatura	410169001
7	Temporizador para retardo del ventilador	410074000
8	Interruptor Interruptor tripolar	410170001 5216-2019-000
9	Soporte de interruptor	1215-2058-000
10	Elemento calefactor-1500 W, 120 V	302012827
10	Elemento calefactor- 3000 W, 277 V	302012006
	Elemento calefactor- 3000 W, 347 V	302012019
	Elemento calefactor- 3000 W, 600 V	302012020
10	Elemento calefactor- 4000 W, 208 V	302012007
	Elemento calefactor- 4000 W, 240 V	302012008
	Elemento calefactor- 4000 W, 277 V	302012009
	Elemento calefactor- 4000 W, 347 V	302012021
	Elemento calefactor- 4000 W, 600 V	302012022
10	Elemento calefactor- 4000 W, 208 V, 3 Ph	1802-2075-000
	Elemento calefactor- 4000 W, 240 V, 3 Ph	1802-2075-002
10	Elemento calefactor- 4800 W, 240 V	302012010
	Elemento calefactor- 4800 W, 277 V	302012011
	Elemento calefactor- 4800 W, 347 V	302012023
	Elemento calefactor- 4800 W, 600 V	302012024
	Elemento calefactor- 4800 W, 277 V	302012011
10	Elemento calefactor- 4800 W, 208 V, 1/3 Ph	1802-2075-001
	Elemento calefactor- 4800 W, 240 V, 3 Ph	1802-2075-003
	Elemento calefactor- 4800 W, 480 V, 3 Ph	1802-2075-804
11	Palas del ventilador	490030103
12	Cubierta del compartimiento de cableado	4513-2037-000

GARANTÍA LIMITADA

Todos los productos fabricados por Marley Engineered Products están garantizados contra defectos de fabricación y de materiales por 1 año desde la fecha de compra, excepto los elementos calefactores los cuales están garantizados contra defectos en manufactura y materiales durante 5 años a partir de la fecha de compra. Esta garantía no se aplica a daños debidos a accidente, mal uso o alteración, ni a los casos en que la tensión eléctrica conectada supere a la tensión nominal indicada en la placa de características- en más de 5 %, ni a equipos que hayan sido instalados o cableados incorrectamente, o mantenidos en forma que no cumpla lo indicado en las instrucciones de instalación del producto. Esta garantía no se aplica a los productos reacondicionados. Todo reclamo por trabajos en garantía debe acompañarse con una prueba de la fecha de compra.

El cliente será responsable de todos los costos incurridos en el retiro o reinstalación de productos, incluyendo los costos de mano de obra y los costos de envío incurridos para regresar productos a un Centro de Servicio de Marley Engineered Products. Dentro de las limitaciones de esta garantía, las unidades que no funcionan deben regresarse al centro de servicio autorizado Marley más cercano, o al Centro de Servicio de Marley Engineered Products, y nosotros lo repararemos o reemplazaremos, a nuestra opción, sin cargo para usted, con el flete de retorno pagado por Marley. Se acuerda que tal reparación o reemplazo es el único recurso que Marley Engineered Products pone a su disposición.

LAS GARANTÍAS EXPUESTAS MÁS ARRIBA TOMAN EL LUGAR DE TODA OTRA GARANTÍA, EXPRESA O IMPLÍCITA, Y POR LA PRESENTE SE DECLINA Y EXCLUYE DE ESTE ACUERDO TODA GARANTÍA IMPLÍCITA DE COMERCIABILIDAD Y ADECUACIÓN A UN PROPÓSITO PARTICULAR QUE EXCEDA LAS GARANTÍAS EXPRESAS ANTEDICHAS. MARLEY ENGINEERED PRODUCTS NO SE HARÁ RESPONSABLE POR DAÑOS CONSIGUIENTES QUE SE PRODUZCAN CON RESPECTO AL PRODUCTO, EN BASE YA SEA A NEGLIGENCIA, AGRAVIO, RESPONSABILIDAD ESTRUCTIVA, O CONTRATO.

Algunos estados o jurisdicciones no permiten la exclusión o limitación de daños incidentales o consiguientes, de modo que la exclusión o limitación expresada más arriba puede no aplicarse a su caso. Esta garantía le da derechos legales específicos, y usted puede tener también otros derechos, que varían de un estado o jurisdicción a otro.

Para obtener la dirección de su centro de servicio autorizado más cercano comuníquese con Marley Engineered Products en Bennettsville, SC, Estados Unidos, llamando al 1-800-642-4328. Toda mercadería regresada a la fábrica debe ser acompañada por una autorización de retorno y una etiqueta de identificación de servicio, disponibles ambas en Marley Engineered Products. Cuando solicite la autorización de retorno, incluya todos los números de catálogo mostrados en los productos.

CÓMO OBTENER SERVICIO EN GARANTÍA, PIEZAS DE REPUESTO E INFORMACIÓN GENERAL

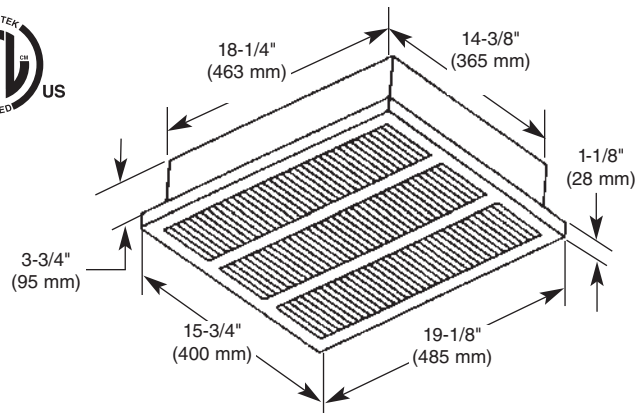
- Servicio o repuestos en garantía **1-800-642-4328**
- Compra de repuestos **1-800-654-3545**
- Información general sobre productos **www.marlymep.com**

Nota: cuando solicite servicio, siempre dé la información que sigue:

- Número de modelo del producto
- Fecha de fabricación
- Número de parte o descripción



470 Beauty Spot Rd. East
Bennettsville, SC 29512 USA



Série F

Radiateurs à air pulsé montés au plafond

Instructions d'installation, d'utilisation et d'entretien

Tableau 1 - Spécifications

MODÈLE	VOLTS	WATTS	BTU/HR	AMPÈRES	PHASE
F1500	120	1500	5,120	12.5	1
F3007	277	3000/1500*	10,239	10.8	1
F4008	208	4000/2000*	13,652	19.2	1
F4004	240 208	4000/2000* 3000/1500*	13,652/10,239 10,239/5,120	16.7/14.4 14.4/7.2	1
F4007	277 240	4000/2000* 3000/1500*	13,652/6,826 10,239/5,120	14.4/12.5 12.5/6.2	1
F4804	240/208	4800/3600*	16,382/12,287	20.0/17.3	1
F4807	277/240	4800/3600*	16,382/12,287	17.3/15.0	1
F3003	347	3000	10,239	8.6	1
F4003	347	4000	13,652	11.5	1

*Câblé en usine pour la puissance maximale.

MODÈLE	VOLTS	WATTS	BTU/HR	AMPÈRES	PHASE
F4006	600	4000	13,652	6.7	1
F4803	347	4800	16,382	13.8	1
F4806	600	4800	16,382	8	1
F48483	480	4800	16,382	5.8	3
F48483LV**	480	4800	16,382	5.8	3

** Incluant un relais de commande en 24 V.

INSTRUCTIONS IMPORTANTES



AVERTISSEMENT



LORS DE L'UTILISATION D'APPAREILS ÉLECTRIQUES, DES PRÉCAUTIONS DE BASE DOIVENT TOUJOURS ÊTRE SUIVIES AFIN DE RÉDUIRE LE RISQUE DE DÉPART D'INCENDIE, DE COMMOTION ÉLECTRIQUE ET DE BLESSURES AUX PERSONNES, INCLUANT CELLES QUI SUIVENT :

1. Lisez toutes les instructions avant d'installer ou d'utiliser le radiateur.
2. Ce radiateur est chaud quand il est en fonctionnement. Pour éviter des brûlures, ne laissez pas de peau nue toucher ses surfaces chaudes. Maintenez les matières combustibles comme le mobilier, les oreillers, la literie, les papiers, les vêtements et les couvertures, à au moins 3 pieds (90 cm) de distance de l'avant du radiateur.
3. Il faut faire très attention quand un radiateur quelconque est utilisé par des enfants ou des personnes invalides ou près d'eux, et à chaque fois que le radiateur est laissé en marche sans surveillance.
4. N'utilisez plus un radiateur s'il a présenté des dysfonctionnements. Débranchez son alimentation au panneau de distribution du secteur et faites-le inspecter par un bon électricien avant de le réutiliser.
5. Ne l'utilisez pas à l'extérieur.
6. Pour déconnecter le radiateur, passez sa commande sur arrêt (Off) et coupez le secteur en amont au panneau de distribution.
7. N'insérez pas d'objets étrangers, et ne permettez pas qu'il en entre, dans toute ouverture d'admission ou d'évacuation, car cela peut causer une commotion électrique ou un départ d'incendie, ou endommager le radiateur.
8. Pour éviter un possible départ d'incendie, n'obstruez en aucune façon les admissions et les échappements d'air.
9. Un radiateur comporte à l'intérieur des parties chaudes, et pouvant produire un arc ou des étincelles électriques. Ne l'utilisez pas dans des zones où de l'essence ou des liquides inflammables sont utilisés ou entreposés.
10. N'utilisez ce radiateur que comme c'est décrit dans ce manuel. Toute autre utilisation non recommandée par le constructeur peut causer un départ d'incendie, une commotion électrique ou des blessures corporelles.
11. Ce radiateur est prévu pour des applications de chauffage de confort, et n'est pas conçu pour une utilisation dans des endroits spéciaux. Ne l'utilisez pas dans des lieux humides ou mouillés, tels que dans un contexte marin ou une serre, ou dans des endroits où il y a présence d'agents corrosifs ou chimiques.
12. Lors de l'installation, voyez les INSTRUCTIONS D'INSTALLATION pour des mises en gardes et précautions supplémentaires.
13. Pour un fonctionnement sûr et efficace, et pour prolonger sa durée de service, gardez votre radiateur propre – Voyez les INSTRUCTIONS D'ENTRETIEN.

CONSERVEZ CES INSTRUCTIONS

INSTRUCTIONS D'INSTALLATION

⚠ AVERTISSEMENT ⚠

Pour éviter un possible départ d'incendie, des blessures corporelles ou des dommages au radiateur, respectez ces consignes :

1. Débranchez toute alimentation secteur arrivant au panneau de service principal avant de câbler ou d'intervenir pour du service.
2. Toutes les procédures de câblage et les raccordements doivent être en conformité avec les normes nationales et locales applicables, et le radiateur doit être relié à la terre.
3. L'alimentation secteur doit entrer dans le boîtier arrière à travers des trous à enfoncer.
4. Vérifiez que la tension du secteur arrivant au radiateur correspond bien aux valeurs spécifiées sur sa plaque signalétique.

ATTENTION : ALIMENTER LE RADIATEUR AVEC UNE TENSION DÉPASSANT LA VALEUR IMPRIMÉE SUR LA PLAQUE SIGNALÉTIQUE ENDOMMAGERA LE RADIATEUR ET ANNULERA SA GARANTIE, ET CELA PEUT PROVOQUER UN DÉPART D'INCENDIE.

5. ATTENTION – Température élevée et risque de départ d'incendie, gardez les cordons électriques, les draperies et textiles d'intérieur, et d'autres matières combustibles, à au moins 3 pieds (90 cm) de l'avant du radiateur. N'installez pas le radiateur derrière des portes, sous des porte-serviettes ou dans une zone où il est susceptible d'être bloqué par des meubles, des rideaux ou des matériaux de rangement. L'air chaud venant du radiateur peut endommager certains tissus et plastiques.
6. Pour réduire le risque de départ d'incendie, n'entreposez pas et n'utilisez pas d'essence ou d'autres produits inflammables sous forme de liquide ou de vapeurs à proximité du radiateur.
7. Ce radiateur est prévu pour être monté au plafond en utilisant un boîtier arrière fourni, et peut s'installer avec ce boîtier encastré ou placé en surface, comme décrit dans ce manuel.
8. Risque de chute. Le boîtier arrière du radiateur doit être solidement fixé à la structure du bâtiment, qui doit être à même de supporter le poids du radiateur et de tous ses accessoires (le radiateur pèse environ 25 livres ou 11,3 kg).
9. Les écartements minimaux suivants doivent être respectés : Des côtés du radiateur à un mur adjacent - 12" (305 mm).
10. Ne faites pas fonctionner le chauffage sans que sa grille soit en place.
11. N'utilisez pas ce radiateur pour faire sécher de la peinture, du plâtre. De la sciure ou de la poussière de ponçage de cloison sèche endommagerait de façon permanente le radiateur, qui doit être tenu à l'écart.

Installation du radiateur encastré dans un plafond en plâtre

1. Déterminez l'emplacement de montage voulu pour le radiateur.
2. Découpez une ouverture de 14-1/2 x 18-3/8" (368 x 467 mm) dans le plafond pour y loger le boîtier arrière encastré. Gardez une distance minimale de 12" (305 mm) entre le bord de cette ouverture et un mur adjacent.
3. Passez le câble d'alimentation jusqu'à l'emplacement du radiateur en laissant au moins 12" (305 mm) pour le raccordement. Référez-vous à la norme électrique américaine (NEC) pour le calibre des fils.
4. Enlevez le couvercle avant et l'ensemble de radiateur du carton.

REMARQUE: Les vis pour monter le couvercle avant sont emballées séparément dans une enveloppe. Le kit contient quatre (4) vis encastrables à tête Phillips (cruciformes) et quatre (4) vis à tête d'écrou si un montage inviolable est nécessaire.

5. Sortez l'ensemble de radiateur (4 vis) et débranchez l'ensemble de commutateur (2 vis) du boîtier arrière.

6. Ouvrez la pastille voulue du boîtier arrière dans la zone derrière l'interrupteur de coupure, installez dessus un serre-câble et amenez le câble d'alimentation dans le boîtier, en laissant au moins 6" (152 mm) de câble dans le boîtier pour le raccordement.
7. Installez le boîtier arrière de radiateur dans l'ouverture du plafond et fixez-le en place en utilisant ses trous de montage sur les côtés avec quatre (4) attaches non fournies. Consultez l'AVERTISSEMENT N° 8.
8. S'il y a de quelconques accessoires à installer avec ce radiateur, il faut le faire à ce moment. Référez-vous aux instructions fournies avec ces accessoires.
9. Enlevez le couvercle du compartiment de câblage de l'ensemble de radiateur en ôtant deux (2) vis. Montez le radiateur sur son boîtier arrière en utilisant quatre (4) vis précédemment ôtées à l'étape 5.
10. Fixez le conducteur de terre de l'arrivée d'alimentation sous la vis de terre de couleur verte dans le boîtier arrière du radiateur.
11. Connectez les fils de l'alimentation secteur sur les fils de couleur bleue de l'interrupteur en utilisant des connecteurs de fils de taille appropriée. Voyez les schémas de câblage en Figure 1A-1E.
12. Passez les fils d'alimentation du radiateur (et des accessoires s'il y a lieu) au travers du trou lisse du support d'interrupteur et reliez-les sur les fils de couleur noire de l'interrupteur, en utilisant des connecteurs de fils de taille appropriée. Voyez les schémas de câblage en Figure 1A-1E.
13. Réunissez soigneusement les fils d'alimentation sous le support de l'interrupteur et fixez ce support au boîtier arrière en utilisant deux (2) vis ôtées à l'étape 5.
14. Installez le couvercle du compartiment de câblage ôté à l'étape 9. Passez l'interrupteur sur la position de marche (ON).
15. Installez le couvercle avant en utilisant les quatre (4) vis (cruciformes encastrables ou inviolables) fournies avec le radiateur.

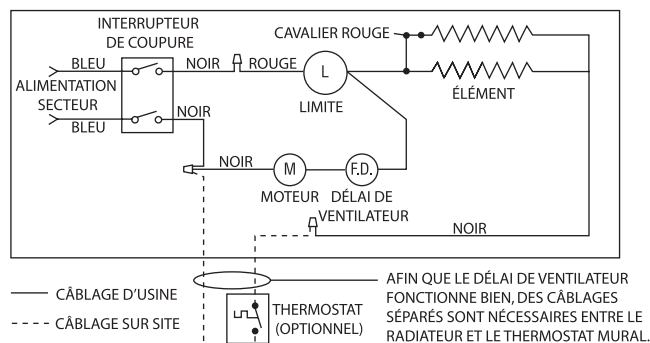


Figure 1A - Radiateurs de plafond en monophasé, pour réduire la puissance ôter le cavalier rouge

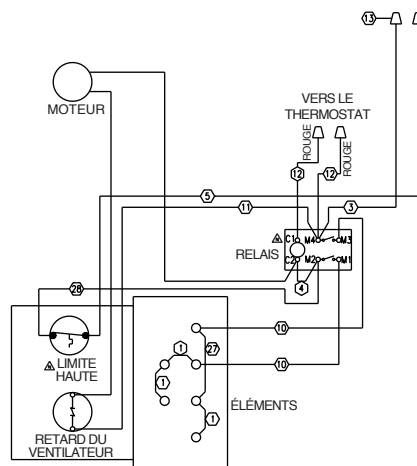


Figure 1B - Schéma de câblage pour radiateur de plafond en monophasé de 4 800 Watts

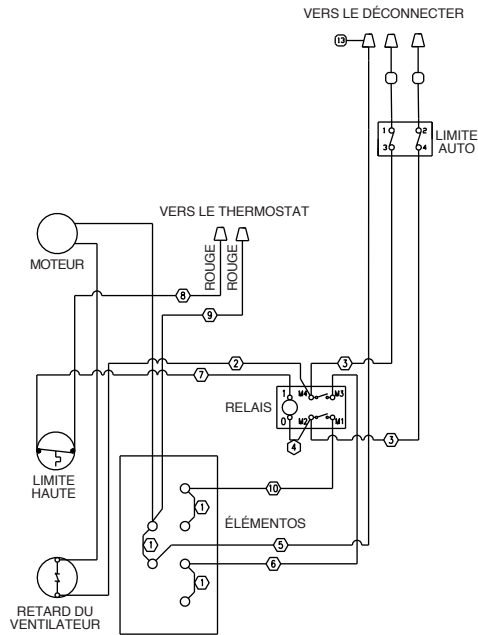


Figure 1C - Schéma de câblage pour radiateurs de plafond en triphasé

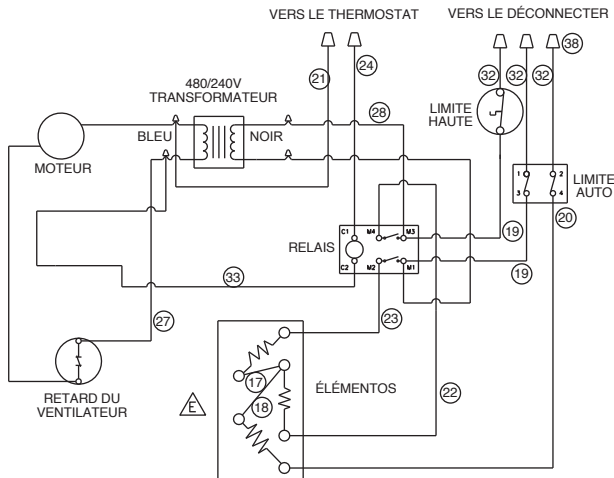


Figure 1D - Schéma de câblage pour radiateur de plafond en 480 V triphasé de 4 800 Watts

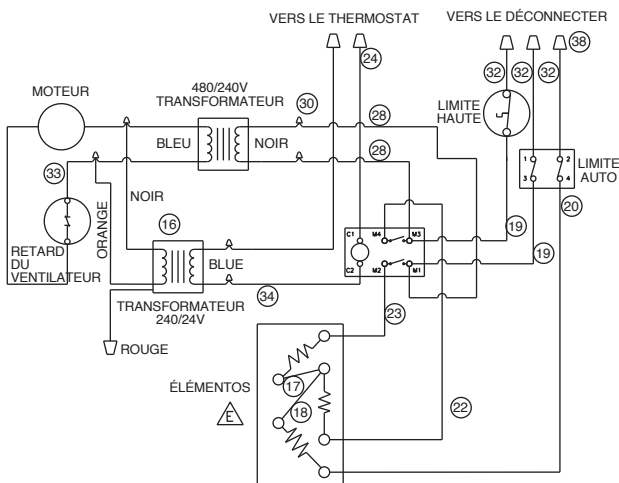


Figure 1E - Schéma de câblage pour radiateur de plafond en 480 V triphasé de 4 800 Watts avec commande basse tension

Installation du radiateur en utilisant un cadre de montage en surface modèle F-SM

1. Déterminez l'emplacement de montage voulu pour le radiateur.
2. Suivez les étapes de 3 à 6 des instructions pour "Installation du radiateur encastré dans un plafond en plâtre" et l'AVERTISSEMENT N° 8 de la page 2.

REMARQUE : Le câble d'alimentation secteur doit être passé entre le boîtier arrière du radiateur et la cadre de montage en surface.

3. Montez le boîtier arrière au plafond en utilisant les trous de montage de son dos et quatre (4) attaches non fournies.
4. Disposez le cadre de montage sur le boîtier arrière.
5. Terminez l'installation en suivant les étapes 8 à 15 des instructions pour "Installation du radiateur encastré dans un plafond en plâtre".

Installation du radiateur sur un plafond en T en utilisant un kit de cadre modèle F-TBF

1. Déterminez l'emplacement de montage voulu pour le radiateur.
2. Sortez le radiateur du carton, enlevez le couvercle avant, l'ensemble de radiateur et l'interrupteur du boîtier arrière comme décrit aux étapes 4 et 5 des instructions pour "Installation du radiateur encastré dans un plafond en plâtre".
3. Montez le boîtier arrière de radiateur sur le lit de cadre F-TBF en utilisant les quatre (4) vis fournies avec ce kit. Voyez la Figure 2.

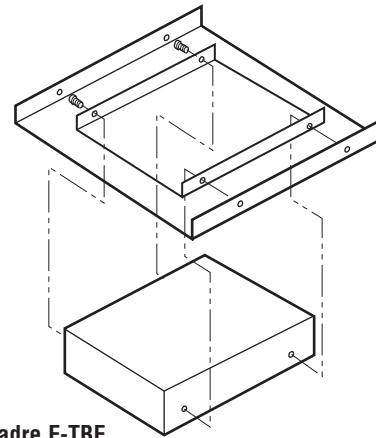


Figure 2 - Kit de cadre F-TBF

4. Placez le cadre F-TBF avec le boîtier arrière de radiateur installé dans la structure de plafond et fixez en place. Attachez le cadre sur la structure de bâtiment si nécessaire en utilisant un cordon approprié pour éviter une chute du radiateur et du cadre (Voir l'AVERTISSEMENT N° 8 en page 2).
5. Amenez le câble d'alimentation secteur à l'emplacement du radiateur, ouvrez la pastille voulue dans le boîtier arrière et installez le câble en utilisant un serre-câble approprié, et laissez au moins 12" (25 mm) de fils dans le boîtier pour le raccordement. Référez-vous à la norme électrique américaine (NEC) pour le calibre des fils.
- REMARQUE :** Le câble d'alimentation secteur doit entrer dans le boîtier arrière à l'endroit derrière l'ensemble d'interrupteur de coupure.
6. Terminez l'installation en suivant les étapes 8 à 15 des instructions pour "Installation du radiateur encastré dans un plafond en plâtre".

INSTRUCTIONS D'UTILISATION

1. Le radiateur doit être correctement installé avant d'être mis en marche.
2. Tournez le thermostat qui est fourni afin de commander le radiateur complètement dans le sens antihoraire (réglage LO ou OFF).
3. Mettez le radiateur en marche (ON) au panneau de commande principal.
4. Vérifiez que le radiateur n'a pas été activé.
5. Tournez à fond le thermostat en sens horaire (réglage HI). Cela doit activer le radiateur. Après un court délai le ventilateur doit tourner et de l'air chaud doit sortir du radiateur.

REMARQUE : Ce radiateur est fourni avec une temporisation au ventilateur qui permet à l'élément de chauffe de monter en température avant le début de la ventilation, pour ne pas envoyer d'air froid. Ce délai permet également au ventilateur de fonctionner pendant une courte période après que l'élément de chauffe a été désactivé, afin d'évacuer la chaleur résiduelle du radiateur.

6. Une fois que la température ambiante de la pièce a atteint le niveau désiré, ajustez le thermostat en le ramenant en sens antihoraire à ce réglage de température. Le ventilateur doit se désactiver après un court délai.

REMARQUE : Pour obtenir les meilleurs résultats, le radiateur doit rester en marche (ON) en permanence durant la saison de chauffage, du fait que le thermostat quand il est bien réglé maintiendra la température désirée.

INSTRUCTIONS D'ENTRETIEN

Il est important de garder propre le radiateur. Votre radiateur vous fournira des années de bon service et de confort avec juste un minimum de soins. Pour assurer son fonctionnement efficace, suivez les instructions simples ci-dessous :

AVERTISSEMENT

TOUTE INTERVENTION DE SERVICE AU-DELÀ D'UN SIMPLE NETTOYAGE, QUI NÉCESSITE UN DÉMONTAGE, DEVRA ÊTRE RÉALISÉE PAR DU PERSONNEL DE SERVICE QUALIFIÉ.

AVERTISSEMENT

POUR RÉDUIRE LE RISQUE DE DÉPART D'INCENDIE ET DE COMMOTION ÉLECTRIQUE OU DE BLESSURE, DÉBRANCHEZ TOUTE ALIMENTATION ÉLECTRIQUE ALLANT AU RADIATEUR EN AMONT AU PANNEAU DE SERVICE, ET VÉRIFIEZ QUE L'ÉLÉMENT DE CHAUFFE EST FROID AVANT D'INTERVENIR POUR DU SERVICE OU DE L'ENTRETIEN.

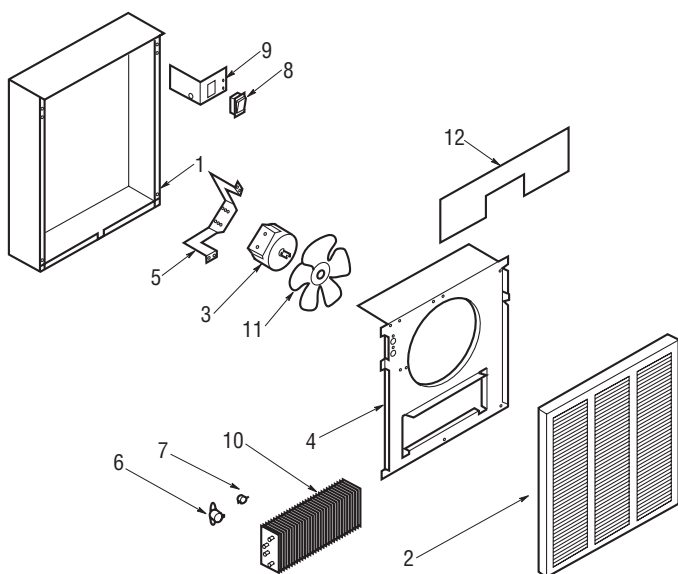
Instructions de nettoyage par l'utilisateur : (A réaliser au moins une fois par an)

1. Une fois que le radiateur est froid, vous pouvez utiliser un aspirateur avec son accessoire brosse pour éliminer la poussière et les peluches des surfaces extérieures du radiateur, y compris les ouvertures de la grille.
2. Avec un chiffon humide, enlevez poussière et peluche de la grille et des surfaces extérieures.
3. Remettez le radiateur sous tension et vérifiez son bon fonctionnement.

Instructions de nettoyage d'entretien : (Ne doit être exécuté que par du personnel de service qualifié)

Au moins une fois par an le radiateur doit être nettoyé et vérifié par une personne de service qualifiée afin d'assurer un fonctionnement sûr et efficace. Cela doit inclure la dépose de la grille et si nécessaire la sortie du radiateur du boîtier arrière, afin de nettoyer les résidus de l'appareil. Une fois le nettoyage et le service terminés, le radiateur doit être complètement remonté et son bon fonctionnement vérifié.

Pièces détachées



N° réf.	Description	N° de pièce
1	Boîtier arrière	1203-2015-000
2	Couvercle avant	1402-2149-000
3	Moteur, 208/240 V	3900-2010-000
3	Moteur, 240/277 V	3900-2010-001
3	Moteur, 120 V	3900-2010-003
4	Panneau de ventilateur	4513-2042-000
5	Montage de moteur	310914002
6	Limite haute	410169001
7	Temporisation de ventilation	410074000
8	Interrupteur de coupure Interrupteur de coupure (3 pôles)	410170001 5216-2019-000
9	Support d'interrupteur	1215-2058-000
10	Élément-1500 W, 120 V	302012827
10	Élément- 3000 W, 277 V Élément- 3000 W, 347 V Élément- 3000 W, 600 V	302012006 302012019 302012020
10	Élément- 4000 W, 208 V Élément- 4000 W, 240 V Élément- 4000 W, 277 V Élément- 4000 W, 347 V Élément- 4000 W, 600 V	302012007 302012008 302012009 302012021 302012022
10	Élément- 4000 W, 208 V, 3 Ph Élément- 4000 W, 240 V, 3 Ph	1802-2075-000 1802-2075-002
10	Élément- 4800 W, 240 V Élément- 4800 W, 277 V Élément- 4800 W, 347 V Élément- 4800 W, 600 V Élément- 4800 W, 277 V	302012010 302012011 302012023 302012024 302012011
10	Élément- 4800 W, 208 V, 1/3 Ph Élément- 4800 W, 240 V, 3 Ph Élément- 4800 W, 480 V, 3 Ph	1802-2075-001 1802-2075-003 1802-2075-804
11	Pale de ventilateur	490030103
12	Couvercle de compartiment de câblage	4513-2037-000

GARANTIE LIMITÉE

Tous les produits fabriqués par Marley Engineered Products sont garantis contre les défauts de fabrication et de matériau pendant une année à compter de leur date d'achat, sauf les éléments chauffants, lesquels sont garantis contre les défauts de fabrication et de matériau pendant 5 ans à compter de la date d'achat. Cette garantie ne couvre pas les dommages causés par un accident, une mauvaise utilisation ou une altération et ne s'applique pas si la tension d'alimentation dépasse de 5% ou plus celle de la plaque signalétique, si l'équipement est mal installé, mal câblé ou mal entretenu, contrairement aux instructions d'installation et d'utilisation du produit. Cette garantie ne s'applique pas aux produits remis à neuf. Toutes les réclamations sous garantie doivent être accompagnées d'une preuve de date d'achat.

Le client doit être responsable de tous les coûts occasionnés pour le démontage ou la réinstallation des produits, incluant les coûts de main-d'oeuvre, et les coûts d'expédition pour renvoyer les produits au centre de service de Marley Engineered Products. Dans le cadre des limitations de cette garantie, les unités ne fonctionnant pas doivent être renvoyées au centre de service agréé Marley le plus proche, ou directe au centre de service de Marley Engineered Products, où ils seront réparés ou remplacés, à notre choix, sans frais pour vous avec le port de retour payé par Marley. Il est convenu que cette réparation ou ce remplacement sera le seul remède à attendre de Marley Engineered Products.

LES GARANTIES QUI PRÉCÈDENT TIENNENT LIEU DE TOUTES LES AUTRES GARANTIES, EXPLICITES OU IMPLICITES, ET TOUTES LES GARANTIES IMPLICITES DE VALEUR MARCHANDE ET D'ADÉQUATION POUR UNE FINALITÉ SPÉCIFIQUE QUI EXCÉDERAIENT LES DISPOSITIONS DE GARANTIE PRÉCÉDEMMENT ÉNONCÉES SONT ICI REJETÉES ET EXCLUES DE CET ACCORD. MARLEY ENGINEERED PRODUCTS NE SERA PAS TENU POUR RESPONSABLE DES DOMMAGES CONSÉCUTIFS SURVENANT EN RELATION AVEC LE PRODUIT, QU'ILS SOIENT À BASE DE NÉGLIGENCE, TORT, RESPONSABILITÉ PURE OU CONTRACTUELLE.

Certains États ne permettent pas l'exclusion ou la limitation des dommages consécutifs ou annexes, de ce fait l'exclusion ou la limitation qui précède peut ne pas s'appliquer à votre cas. Cette garantie vous donne des droits légaux spécifiques, qui varient d'un État à un autre.

Pour obtenir l'adresse de votre centre de service agréé le plus proche, contactez Marley Engineered Products à Bennettsville, SC, au 1-800-642-4328. Toute marchandise retournée à l'usine doit être accompagnée d'une autorisation de renvoi et d'une étiquette d'identification pour le service, ces deux documents étant disponibles auprès de Marley Engineered Products. En demandant une autorisation de retour, fournissez tous les numéros de catalogue indiqués sur les produits.

COMMENT OBTENIR DU SERVICE ET DES PIÈCES DANS LE CADRE DE LA GARANTIE ET DES INFORMATIONS GÉNÉRALES

1. Service et pièces sous garantie **1-800-642-4328**
2. Pièces détachées à acheter **1-800-654-3545**
3. Informations générales sur les produits **www.marleymep.com**

Remarque : Pour obtenir le service sous garantie vous devez toujours avoir préparé :

1. Référence de modèle du produit
2. Date de fabrication
3. Numéro ou description de pièce



470 Beauty Spot Rd. East
Bennettsville, SC 29512 USA