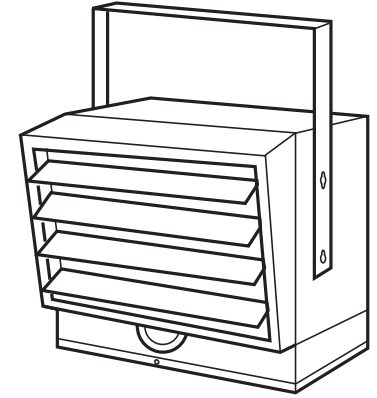




Marley
Engineered Products



UH724STA Horizontal / Vertical Unit Heater

Installation, Operation & Maintenance Instructions

Table 1. Specifications

Heater Rating and Voltage	BTU per Hr.	Phase	Contactor Built-in	Mounting Height, ft. (mm)				Min. Distance from Horizontal Air Throw, ft. (mm)	Mounting Hole to Wall, in (mm)
				Vertical Installation		Horizontal Installation			
				Min.	Max.	Min.	Max.		
*7500 W @ 240V 6250W @ 240V 5000W @ 240V 3750W @ 240V	25,598 21,331 17,065 12,799	1	Yes	6' (1829)	11' (3353)	6' (1829)	8' (2438)	18' (5472)	**13" (330)
*5625W @ 208V 4685W @ 208V 3750W @ 208V 2812W @ 208V	19,198 15,990 12,799 9,598	1	Yes	6' (1829)	11' (3353)	6' (1829)	8' (2438)	18' (5472)	**13" (330)

*Heater is shipped from factory wired for these wattages. Heater can be field adjusted to the other wattages (Refer to Table 2

"Adjusting the Heat Output")

**48" (1219 mm) when heater air flow is between 45° downward and vertical.

IMPORTANT INSTRUCTIONS



WARNING



WHEN USING ELECTRIC APPLIANCES, BASIC PRECAUTIONS SHOULD ALWAYS BE FOLLOWED TO REDUCE THE RISK OF FIRE, ELECTRIC SHOCK, AND INJURY TO PERSONS, INCLUDING THE FOLLOWING:

1. Read all instructions before installing or using this heater.
2. This heater is hot when in use. To avoid burns, do not let bare skin touch hot surfaces. Keep combustible materials, such as furniture, pillows, bedding, papers, clothes, etc. and curtains at least 3 feet (0.9 m) from the front of the heater.
3. Extreme caution is necessary when any heater is used by or near children or invalids and whenever the heater is left operating and unattended.
4. Do not operate any heater after it malfunctions. Disconnect power at service panel and have heater inspected by a reputable electrician before using.
5. Do not use outdoors.
6. To disconnect heater, turn controls to off, and turn off power to heater circuit at main disconnect panel.
7. Do not insert or allow foreign objects to enter any ventilation or exhaust opening as this may cause an electric shock, fire, or damage to the heater.
8. To prevent a possible fire, do not block air intake or exhaust in any manner.
9. A heater has hot and arcing or sparking parts inside. Do not use it in areas where gasoline, paint, or flammable liquids are used or stored.
10. Use this heater only as described in this manual. Any other use not recommended by the manufacturer may cause fire, electric shock, or injury to persons.
11. This heater is provided with a red alarm light that will illuminate only if the heater has turned off as a result of overheating. If you see the light on, immediately turn the heater off and inspect for any objects on or adjacent to the heater that may have blocked the airflow or otherwise caused high temperatures to have occurred. **DO NOT OPERATE THE HEATER WITH THE ALARM LIGHT ILLUMINATING.**
12. This heater is intended for comfort heating applications and not intended for use in special environments. Do not use in damp or wet locations such as marine or greenhouse or in areas where corrosive or chemical agents are present.
13. When installing, see INSTALLATION INSTRUCTIONS for additional warnings and precautions.
14. For safe and efficient operation, and to extend the life of your heater, keep your heater clean - See MAINTENANCE INSTRUCTIONS.

SAVE THESE INSTRUCTIONS

INSTALLATION INSTRUCTIONS

⚠ WARNING ⚠

To prevent a possible fire, injury to persons or damage to the heater, adhere to the following:

1. Disconnect all power coming to heater at main service panel before wiring or servicing.
2. All wiring procedures and connections must be in accordance with the National and Local Codes having jurisdiction and the heater must be grounded.
3. Verify the power supply voltage coming to heater matches the ratings as shown on the heater nameplate.

CAUTION: ENERGIZING HEATER AT A VOLTAGE GREATER THAN THE VOLTAGE PRINTED ON THE NAMEPLATE WILL DAMAGE THE HEATER AND VOID THE WARRANTY AND COULD CAUSE A FIRE.

4. **CAUTION** - High temperature, risk of fire, keep electrical cords, drapery, furnishings, and other combustibles at least 3 feet (0.9 m) from front of heater. Do not install heater behind doors, below towel racks, or in an area where it is subject to being blocked by furniture, curtains or storage materials. Hot air from the heater may damage certain fabrics and plastics.
5. To reduce the risk of fire, do not store or use gasoline or other flammable vapors and liquids in the vicinity of the heater.
6. When heater is to be wall or ceiling mounted, the anchoring provisions must be of sufficient strength to support the total weight of the heater plus the weight of the mounting provisions. Failure to properly secure the supporting members of the building structure could allow the heater to fall.
7. The following minimum clearances must be maintained:
 - For Vertical Airflow, Bottom of Heater to Floor: 6' (1829 mm) minimum, 11' (3353 mm) maximum
 - Horizontal Airflow, Bottom of Heater to Floor: 6' (1829 mm) minimum, 8' (2438 mm) maximum
 - Sides of heater to adjacent wall :
 - Airflow from Horizontal to 45° downward: 13" (330 mm) -
 - Airflow from 45° downward to straight down 48" (1219 mm).
 - Discharge to any object: 36" (915 mm) minimum
8. Do not use this heater for dry out as the paint, plaster, sawdust and drywall sanding dust will permanently damage the heater and must be kept out of the heater.

Unpacking Your New Heater

Remove the heater from the box and inspect it for any damage. If it appears to be damaged, immediately return it to the store from which you purchased it.

Tools Needed

You will need the following tools to install your UH724STA electric heater:

- Screwdriver
- Needle nose pliers
- Pliers
- Electric Drill and 1/4" (6.35 mm) bit
- Adjustable wrench

Hardware Needed

You will also need the following hardware for installation:

- Enough 8 ga. min. insulated copper conductor (with ground) wire to run power from the breaker/ fuse to the heater. Only use copper wire rated at least 75° C. Do not use aluminum wire with this unit.
- Proper size fuses and circuit breakers in accordance with the National Electrical Code. Also see Table 2 Heat Output Adjustments
- Screw, wood, 3/8" x 2" (9.5 mm x 50 mm) Lag bolts (Qty. 1 or 2).
- Washer, 3/8" (9.7 mm) (Qty. 2)
- Wire connectors sized to your application.

NOTE: For certain applications, conduit may be required (see Figure 2). Check local electrical codes. If wiring is run in conduit, be sure there is enough flexible conduit to allow the heater to be turned if necessary.

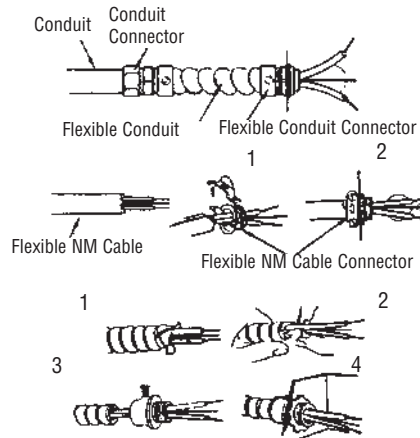


Figure 2 - Connectors, cable, and hardware used to wire the UH724STA

Locating the Heater

The heater should be installed out of traffic areas and at least 6' off the floor. The direction of air flow should not be restricted (ie: by columns or machinery) and the air flow should wipe exposed walls, rather than blowing directly at them. When more than one heater is used in an area, the heaters should be arranged so that the air discharge of each heater supports the air flow of the others to provide best circulation of warm air, as indicated in Figure 3, below.

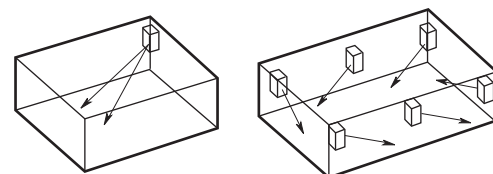


Figure 3

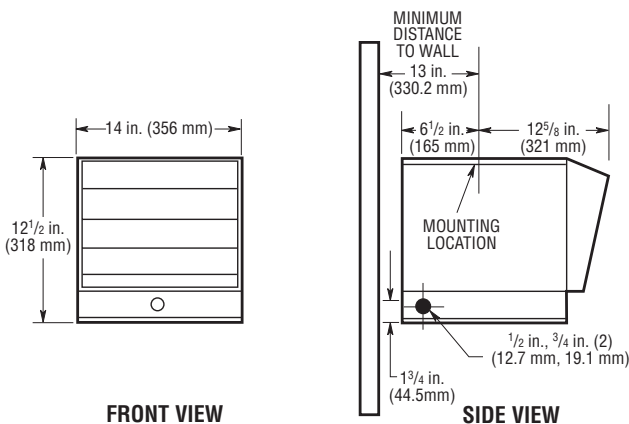


Figure 1 - Dimension Data

Mounting

1. Remove the mounting bracket from the heating unit by loosening the bracket screws with a wrench and slipping the handle off over the screw heads.
2. Locate a stud in the ceiling and attach the mounting bracket to the ceiling joist as shown in Figures 4-A or 4-B. Place a washer on the screw between the bracket and the ceiling to act as a spacer and screw them into the stud. Tighten the screws enough to securely hold the heating unit with the air flow pointed in the proper direction.

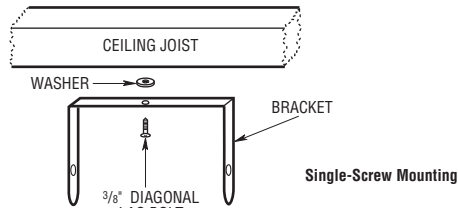


Figure 4-A

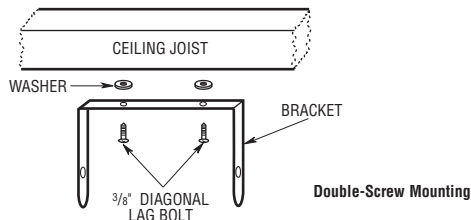


Figure 4-B

3. Lift the heater up and into the mounting bracket. Align the screws on each side of the heater with the keyhole slots in the mounting brackets. If the heater is to be tilted, it must be positioned in the lower keyhole slots (see Figure 5). Tighten the bracket screws so the unit is securely suspended at the desired position.

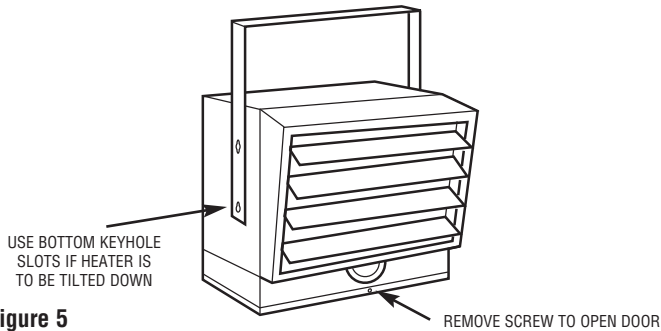


Figure 5

Wiring

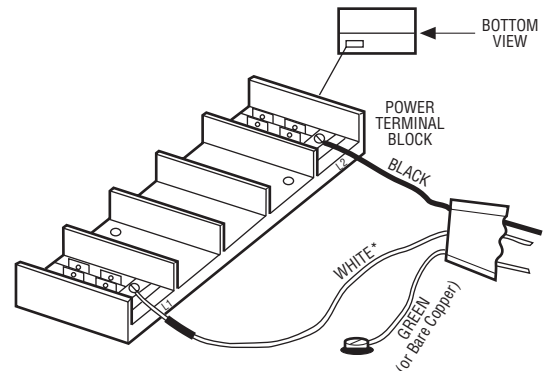
1. To connect the power to the heater, simply remove the screw from the front of the unit. This allows the hinged bottom to open, providing access to the electrical wiring and connectors. (See Figure 5)
2. Attach the cable connectors to the unit (See Figure 2) and slide the 8 gauge wire through the cable connector. Pull enough wire through the connector to work with when making the connections.

NOTE: Wiring compartment volume: 370 in³ (6063 cm³)

3. Connect the wire to the power terminal block located in the base of the heater (See Figure 6).

NOTE: Unit is 240/208 volts. When wiring with a two conductor cable with ground the white wire must be marked black by adding a piece of black electrical tape to the wire near the point of connection.

NOTE: To decrease the heat output of the heating unit, see Adjust the Heat Output, Table 2 and Wiring Diagram Figure 7.



***NOTE:** 240/208 volts. When wiring with a two conductor cable with ground, the white wire must be marked black.

Figure 6

WARNING

TO PREVENT POSSIBLE ELECTRIC SHOCK, DISCONNECT POWER TO THE HEATER AT THE MAIN SERVICE BOX BEFORE ATTEMPTING TO ADJUST THE HEAT OUTPUT OF THIS UNIT.

Adjusting the Heat Output

Heat output can be increased or decreased by switching wires at the wattage change terminal board. The heater is factory wired to deliver a heat output of 17,065 BTU per hour. Should your particular application require less heat output, refer to Table 2 below and change the wires at the wattage change terminal board as shown in Wiring Diagram Figure 7.

Table 2 - Heat Output Adjustments

BTU/HR	VOLTS	WATTS	MAX FUSE SIZE	HEATER AMPS	MOVE JUMPERS FROM C-D TO A-B
25,598	240	7,500	45	31.3	NONE
21,331	240	6,250	35	26.1	BLUE
17,065	240	5,000	30	20.9	BLUE & YELLOW
12,799	240	3,750	20	15.7	BLUE, YELLOW & RED
19,198	208	5,625	40	27.1	NONE
15,990	208	4,685	30	22.3	BLUE
12,799	208	3,750	25	18.1	BLUE & YELLOW
9,598	208	2,812	20	13.6	BLUE, YELLOW & RED

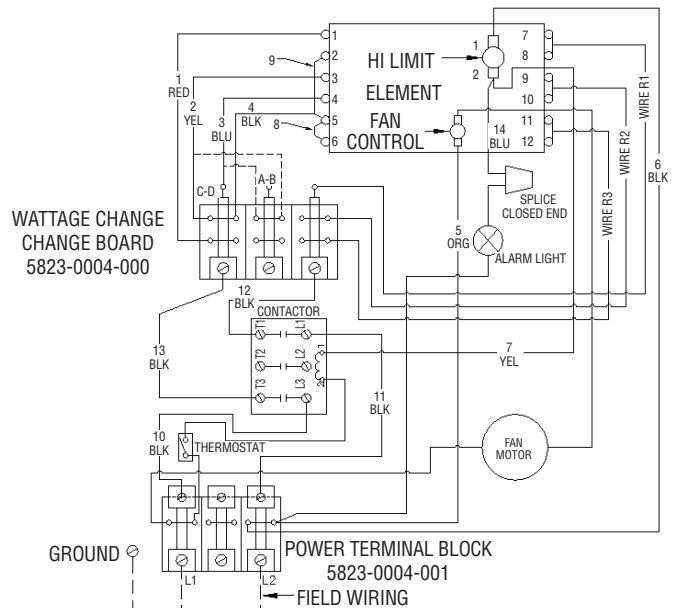


Figure 7 - Wiring Diagram

OPERATING INSTRUCTIONS

1. Heater must be properly installed before operation.
2. After heater is completely assembled, rotate thermostat knob counterclockwise until control stops. This is the minimum heat setting.
3. Turn power supply to heater "ON" at main switch panel.
4. Heater should not operate. If it operates disconnect power and recheck wiring.
5. Rotate thermostat clockwise until it stops (maximum heat setting).
6. Heater should turn on after a brief delay (see Automatic Fan Delay below). If heater and fan do not come on, disconnect power and check wiring.

NOTE: The first time you operate the unit, it may smoke slightly. This is due to the residual cleaning agents used to clean the element when the heater is manufactured. This is normal and does not indicate a problem with the unit. This condition will stop after the heater has been in operation for a few minutes.

7. Allow heater to continue to operate until room temperature reaches desired comfort level. Then rotate thermostat knob counterclockwise slowly until thermostat clicks off. (Note that the fan delay will keep the fan running until the elements cool.) Heater will cycle on and off to maintain room temperature.
8. It may be necessary to readjust thermostat a time or so until exact comfort level is attained. Rotation in the clockwise direction will increase the amount of time the heater will produce heat. Rotation in the counterclockwise direction will reduce the amount of time the heater is on.

Automatic Fan Delay: The UH724STA has an automatic fan delay. When the thermostat calls for heat, fan action is delayed momentarily until the heating elements warm. This prevents the circulation of cold air. When the heater raises the temperature of the room to the thermostat set point, the heating element is turned off but the fan will continue to run until the heating element cools down. This prevents exposing the unit to residual heat, provides a higher comfort level and prolonged element life.

Automatic Thermal Limit: The UH724STA is equipped with a thermal limit which will automatically shut off the heater in the event of overheating. Should the thermal limit activate an alarm light will be visible on the front of the heater next to the thermostat knob. The heater will turn on when the operating temperature returns to normal. Should the unit overheat and activate the thermal limit, the cause of the overheating should be determined before further operation.

⚠ WARNING ⚠

DO NOT TAMPER WITH OR BYPASS ANY SAFETY LIMITS INSIDE HEATER.

CAUTION ⚠

CAUTION - DO NOT CONTINUE TO ATTEMPT TO USE THE HEATER IF THE THERMAL LIMIT REPEATEDLY OPERATES. TO DO SO COULD PERMANENTLY DAMAGE THE HEATER OR CREATE A FIRE OR SAFETY HAZARD.

NOTE: If the unit is installed in an area where the temperature is below 50° F, the fan may cycle on and off until the temperature in the room rises above 50° F, this is normal and does not indicate a problem with the unit. As soon as the heater warms the air in the room above 50°, the fan will operate continually until the thermostat has reached the room set point.

Adjusting Air Flow Direction

You can adjust the direction of air flow by:

1. Turning the unit. If the unit has been installed with a single lag bolt, as shown in Figure 8, simply turn the entire unit as needed to adjust air flow.

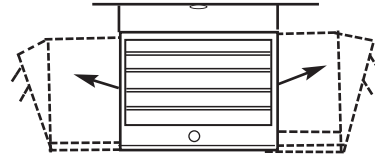


Figure 8

2. Tilting the unit. Loosen the bracket screws, tilt the heater to the desired position, and re-tighten the bracket screws (see Figure 4).

NOTE: To tilt the heater it must be mounted in bottom key hole slots of mounting bracket to maintain adequate clearance and prevent possible overheating.

3. Adjusting the louvers to the desired position.

NOTE: The louvers are designed so they can not be completely closed. Do not attempt to defeat this feature, damage to the unit can result.

MAINTENANCE INSTRUCTIONS

It is important to keep this heater clean. Your heater will give you years of service and comfort with only minimum care. To assure efficient operation follow the simple instructions below.

WARNING

ALL SERVICING BEYOND SIMPLE CLEANING THAT REQUIRES DISASSEMBLY SHOULD BE PERFORMED BY QUALIFIED SERVICE PERSONNEL.

WARNING

TO REDUCE RISK OF FIRE AND ELECTRIC SHOCK OR INJURY, DISCONNECT ALL POWER COMING TO HEATER AT MAIN SERVICE PANEL AND CHECK THAT THE ELEMENT IS COOL BEFORE SERVICING OR PERFORMING MAINTENANCE.

User Cleaning Instructions:

1. After the heater has cooled, a vacuum cleaner with brush attachment may be used to remove dust and lint from exterior surfaces of the heater including the grille openings.
2. With a damp cloth, wipe dust and lint from grille and exterior surfaces.
3. Return power to heater and check to make sure it is operating properly.

Maintenance Cleaning Instructions:

(To be performed only by Qualified Service Personnel)

At least annually, the heater should be cleaned and serviced by a qualified service person to assure safe and efficient operation. After completing the cleaning and servicing, the heater should be checked for proper operation.

LIMITED WARRANTY

All products manufactured by Marley Engineered Products are warranted against defects in workmanship and materials for one year from date of installation, except heating elements which are warranted against defects in workmanship and materials for five years from date of installation. This warranty does not apply to damage from accident, misuse, or alteration; nor where the connected voltage is more than 5% above the nameplate voltage; nor to equipment improperly installed or wired or maintained in violation of the product's installation instructions. All claims for warranty work must be accompanied by proof of the date of installation.

The customer shall be responsible for all costs incurred in the removal or reinstallation of products, including labor costs, and shipping costs incurred to return products to Marley Engineered Products. Within the limitations of this warranty, inoperative units should be returned to Marley, and we will repair or replace, at our option, at no charge to you with return freight paid by Marley. It is agreed that such repair or replacement is the exclusive remedy available from Marley Engineered Products.

THE ABOVE WARRANTIES ARE IN LIEU OF ALL OTHER WARRANTIES EXPRESSED OR IMPLIED, AND ALL IMPLIED WARRANTIES OF MERCHANTABILITY AND FITNESS FOR A PARTICULAR PURPOSE WHICH EXCEED THE AFORESAID EXPRESSED WARRANTIES ARE HEREBY DISCLAIMED AND EXCLUDED FROM THIS AGREEMENT. MARLEY ENGINEERED PRODUCTS SHALL NOT BE LIABLE FOR CONSEQUENTIAL DAMAGES ARISING WITH RESPECT TO THE PRODUCT, WHETHER BASED UPON NEGLIGENCE, TORT, STRICT LIABILITY, OR CONTRACT.

Some states do not allow the exclusion or limitation of incidental or consequential damages, so the above exclusion or limitation may not apply to you. This warranty gives you specific legal rights, and you may also have other rights which vary from state to state.

Contact Marley Engineered Products in Bennettsville, SC, at 1-800-642-4328. Merchandise returned to the factory must be accompanied by a return authorization and service identification tag, both available from Marley Engineered Products. When requesting return authorization, include all catalog numbers shown on the products.

HOW TO OBTAIN WARRANTY SERVICE AND WARRANTY PARTS PLUS GENERAL INFORMATION

- | | |
|--------------------------------|---|
| 1. Warranty Service or Parts | 1-800-642-4328 |
| 2. Purchase Replacement Parts | 1-800-654-3545 |
| 3. General Product Information | www.marlymep.com |

Note: When obtaining service always have the following:

1. Model number of the product
2. Date of manufacture
3. Part number or description

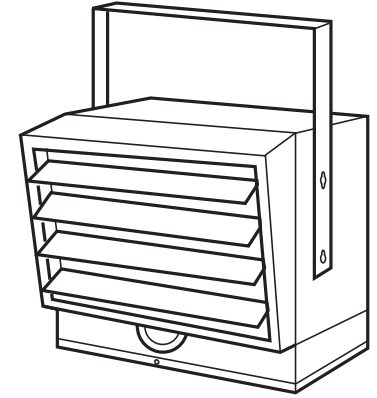


Marley
Engineered Products

470 Beauty Spot Rd. East
Bennettsville, SC 29512 USA



Marley
Engineered Products



UH724STA

Unidad calefactora horizontal / vertical

Instrucciones de instalación, operación y mantenimiento

Tabla 1. Especificaciones

Potencia eléctrica y tensión de alimentación del calefactor	BTU por hora	Fases	Contactador incorporado	Altura de montaje, pies (mm)				Alcance horizontal del chorro de aire, pies (mm)	Distancia mínima desde el agujero de montaje hasta la pared, pulgadas (mm)
				Instalación vertical		Instalación horizontal			
				Min.	Max.	Min.	Max.		
*7 500 W @ 240V 6 250W @ 240V 5 000W @ 240V 3 750W @ 240V	25 598 21 331 17 065 12 799	1	No	6' (1829)	11' (3353)	6' (1829)	8' (2438)	18' (5472)	**13" (330)
*5 625W @ 208V 4 685W @ 208V 3 750W @ 208V 2 812W @ 208V	19 198 15 990 12 799 9 598	1	No	6' (1829)	11' (3353)	6' (1829)	8' (2438)	18' (5472)	**13" (330)

*El calefactor sale de la fábrica cableado para estos valores de potencia eléctrica (watts). Puede ajustarse en el sitio para los otros valores de potencia (consulte la Tabla 2, 'Ajustes de la energía térmica').

**48" (1 219 mm) cuando la dirección del flujo de aire del calefactor está entre 45° hacia abajo y la vertical.

INSTRUCCIONES IMPORTANTES



ADVERTENCIA



AL UTILIZAR ARTEFACTOS ELÉCTRICOS, PARA REDUCIR EL RIESGO DE INCENDIO, CHOQUE ELÉCTRICO Y LESIONES PERSONALES DEBEN OBSERVARSE SIEMPRE ALGUNAS PRECAUCIONES BÁSICAS, COMO LAS SIGUIENTES:

1. Lea todas las instrucciones antes de instalar o utilizar este calefactor.
2. Cuando está en funcionamiento, el calefactor está muy caliente. Para evitar quemaduras, no deje que su piel haga contacto directo con las superficies calientes. Mantenga los materiales combustibles como muebles, almohadas, ropas de cama, papeles, ropas, cortinas, etc. a 0.9 m (3 pies) como mínimo del frente del calefactor.
3. Se necesita extremo cuidado al utilizar cualquier calefactor junto a o cerca de niños o inválidos, y en todo momento en que el calefactor quede funcionando y desatendido.
4. No opere ningún calefactor después de que haya tenido una falla de funcionamiento. Desconecte la alimentación eléctrica en el tablero de servicio y haga revisar el calefactor por un electricista calificado antes de usarlo.
5. No use el equipo en exteriores.
6. Para desconectar el calefactor, lleve los controles a la posición Apagado (OFF) y desconecte la alimentación del circuito del calefactor en el tablero de desconexión principal.
7. No inserte ni permita que entren objetos extraños en ninguna abertura de ventilación o de descarga, porque esto puede ser causa de choque eléctrico, incendio o daño al calefactor.
8. Para evitar un posible incendio, no bloquee de ningún modo la entrada ni la descarga de aire.
9. Un calefactor tiene en su interior piezas calientes, y piezas en las que se producen arcos o chispas. No lo utilice en áreas en las que se utilice o almacene gasolina, pintura o líquidos inflamables.
10. Utilice este calefactor únicamente de la manera descrita en este manual. Cualquier otra forma de uso no recomendada por el fabricante puede ser causa de incendio, choque eléctrico o daños personales.
11. Este calefactor cuenta con una luz de alarma roja que se ilumina únicamente si el calefactor se ha apagado como resultado del sobrecalentamiento. Si usted ve la luz encendida, apague de inmediato el calefactor y haga una inspección para ver si hay objetos sobre o cerca del calefactor que pudieran haber bloqueado la circulación de aire o causado de alguna otra forma la presencia de altas temperaturas. **NO OPERE EL CALEFACTOR CON LA LUZ DE ALARMA ENCENDIDA.**
12. Este calefactor está destinado a aplicaciones de calefacción ambiental, y no es para utilizar en ambientes especiales. No lo use en lugares húmedos o mojados como zonas marítimas o invernaderos, ni en áreas en las que estén presentes agentes químicos o corrosivos.
13. Al realizar la instalación, vea las advertencias y precauciones adicionales en las INSTRUCCIONES DE INSTALACIÓN.
14. Para garantizar una operación segura y eficiente, y para extender la vida útil de su calefactor, manténgalo limpio. Vea las INSTRUCCIONES DE MANTENIMIENTO.

GUARDE ESTAS INSTRUCCIONES

INSTRUCCIONES DE INSTALACIÓN

⚠ ADVERTENCIA ⚠

Para evitar un posible incendio, lesiones personales o daños al calefactor, observe lo siguiente:

1. Antes de proceder a tareas de conexión o de reparación del calefactor, desconecte toda la alimentación eléctrica que llega al mismo desde el tablero principal de servicio.
2. Todos los procedimientos de cableado y conexiones deben hacerse de conformidad con los códigos nacionales y locales que tengan jurisdicción, y el calefactor debe estar conectado a tierra.
3. Verifique que la tensión de alimentación provista al calefactor coincida con la tensión nominal indicada en la placa de características del mismo.

ATENCIÓN: SI SE ENERGIZA UN CALEFACTOR CON UNA TENSIÓN MAYOR QUE EL VALOR DE TENSIÓN IMPRESO EN LA PLACA DE CARACTERÍSTICAS, SE DAÑARÁ EL CALEFACTOR, SE ANULARÁ LA GARANTÍA, Y PODRÍA PRODUCIRSE UN INCENDIO.

4. **ATENCIÓN:** alta temperatura, riesgo de incendio. Mantenga los cables eléctricos, cortinados, muebles y otros elementos combustibles a 0.9 m (3 pies) como mínimo del frente del calefactor. No instale el calefactor detrás de puertas, debajo de toalleros, ni en un área en la que esté sujeto a bloqueo por muebles, cortinas o materiales almacenados. El aire caliente que sale del calefactor puede dañar algunas telas y plásticos.
5. Para reducir el riesgo de incendio, no almacene ni use gasolina u otros vapores y líquidos inflamables en las cercanías del calefactor.
6. Cuando el calefactor va a montarse en la pared o en el cielorraso, los anclajes deben tener la resistencia suficiente para soportar el peso total del calefactor más el peso de los elementos de montaje. Si no se sujetan correctamente los elementos de soporte a la estructura del edificio, el calefactor podría caerse.
7. Deben mantenerse las distancias mínimas que se indican a continuación: Para flujo de aire vertical, del fondo del calefactor al piso: mínimo 1 829 mm (6'), máximo 3 353 mm (11').

Flujo de aire horizontal, del fondo del calefactor al piso: mínimo 1 829 mm (6'), máximo 2 438 mm (8').

De los lados del calefactor a la pared adyacente: Para flujo de aire entre horizontal y 45° hacia abajo: 330 mm (13") – Para flujo de aire entre 45° hacia abajo y vertical hacia abajo: 1 219 mm (48").

De la descarga a cualquier objeto: mínimo 915 mm (36").

8. No utilice este calefactor para fines de secado, ya que la pintura, el yeso, el aserrín y el polvo proveniente del lijado de paredes secas provocarán daños permanentes al calefactor, por lo que no deben entrar al mismo.

Desembalaje de su nuevo calefactor

Retire el calefactor de la caja e inspecciónelo para verificar si tiene algún daño. Si se ve dañado, regréselo inmediatamente a la tienda en la que lo compró.

Herramientas necesarias

Usted necesitará para la instalación de su calefactor eléctrico UH724STA las herramientas siguientes:

- Destornillador
- Pinzas de puntas de aguja
- Pinzas
- Taladro eléctrico y broca de 6.35 mm (1/4")
- Llave ajustable

Accesorios de montaje necesarios

Usted necesitará además para la instalación los siguientes accesorios de montaje:

- Una cantidad suficiente de cable con conductor de cobre aislado de calibre 8 como mínimo (con tierra) para llevar la alimentación eléctrica desde el interruptor automático o fusible hasta el calefactor. Utilice únicamente cable de cobre especificado para una temperatura de 75 °C como mínimo. No utilice para esta unidad cable de aluminio.
- Fusibles o interruptores automáticos correctamente dimensionados, de acuerdo con el Código Eléctrico Nacional de los EE. UU. Vea también la Tabla 2, 'Ajustes de la energía térmica'.
- Tornillos para madera tipo tirafondo, 9,5 mm x 50 mm (3/8" x 2") (cantidad: 1 ó 2).
- Arandela, 9,7 mm (3/8") (cantidad: 2).
- Conectores para cables, de tamaño adecuado para su aplicación.

NOTA: para algunas aplicaciones puede que sea necesario un conducto (vea la Figura 2). Verifique los códigos eléctricos locales. Si el cableado se tiende por un conducto, asegúrese de que haya una cantidad suficiente de conducto flexible como para permitir el giro del calefactor en caso de ser necesario.

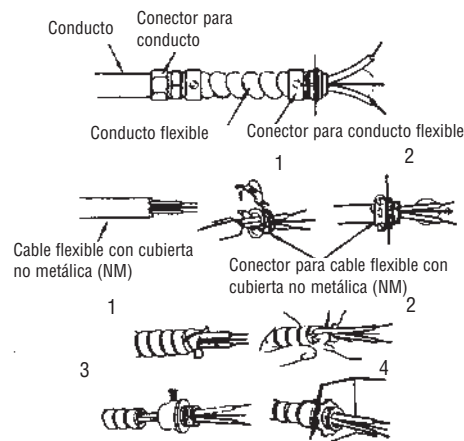


Figura 2 – Conectores, cable y accesorios de montaje utilizados para el cableado del UH724STA

Ubicación del calefactor

El calefactor debe instalarse fuera de lugares transitados, y a 1 829 mm (6 pies) por encima del piso, como mínimo. No debe restringirse la circulación de aire (por ejemplo, por columnas o maquinaria), la que debe deslizarse por las paredes expuestas en lugar de impactar directamente contra ellas. Cuando en un área se utilice más de un calefactor, éstos deben disponerse de modo que la descarga de aire de cada calefactor refuerce el caudal de aire de los demás, a fin de proporcionar la mejor circulación posible de aire caliente, como se indica en la Figura 3.

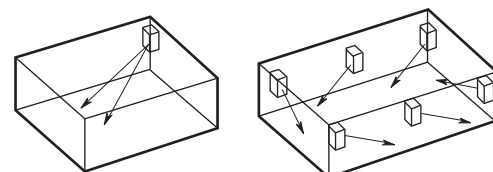


Figura 3

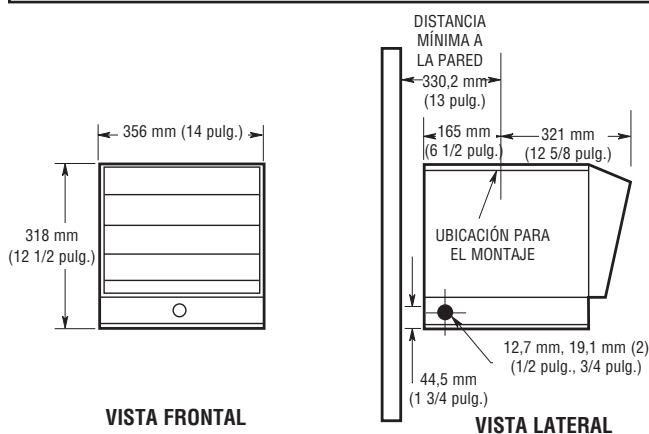


Figura 1 – Datos dimensionales

Montaje

1. Retire el soporte de montaje de la unidad calefactora; para ello afloje los tornillos del soporte con una llave y deslice la manija por sobre las cabezas de los tornillos.
2. Localice un travesaño en el cielorraso y fije el soporte de montaje a la viga del cielorraso, como se muestra en las Figuras 4-A ó 4-B. Coloque una arandela en el tornillo, entre el soporte y el cielorraso, para que actúe como separador, y atornille en el travesaño. Apriete los tornillos en la medida suficiente para sostener firmemente la unidad calefactora, en una posición tal que la circulación de aire apunte en la dirección correcta.

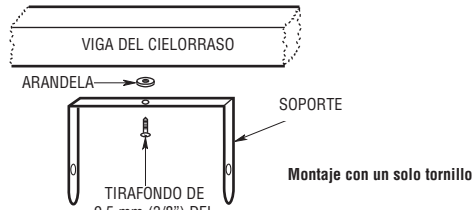


Figura 4-A

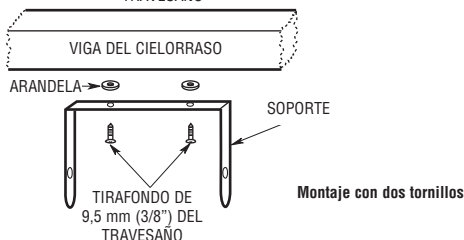


Figura 4-B

3. Levante el calefactor y colóquelo en el soporte de montaje. Alinee los tornillos que están en cada lado del calefactor con las ranuras tipo bocallave de los soportes de montaje. Si se va a inclinar el calefactor, debe posicionárselo en las ranuras tipo bocallave inferiores (vea la Figura 5). Apriete los tornillos del soporte de manera que la unidad quede firme y suspendida en la posición deseada.

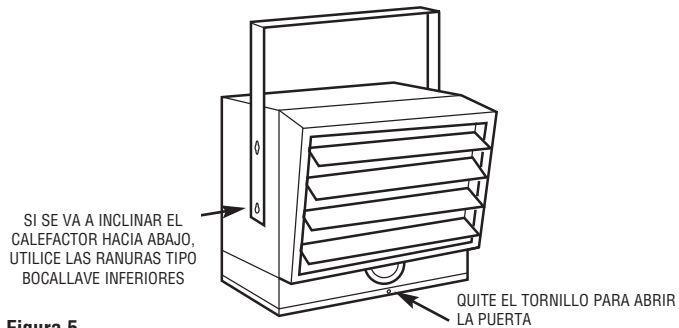


Figura 5

Conexión

1. Para conectar la alimentación eléctrica al calefactor, simplemente quite el tornillo del frente de la unidad. Esto permite abrir el fondo abisagrado, proporcionando acceso al conexionado eléctrico y sus conectores. (Vea la Figura 5).
2. Instale los conectores de cable en la unidad (vea la Figura 2), y deslice el cable calibre alambre de calibre 8 a través del conector de cable. Cuando haga las conexiones, extraiga a través del conector una cantidad suficiente de cable para trabajar.

NOTA: Volumen del compartimiento de cables = 6063 cm³ (370 pulgadas cúbicas)

3. Conecte el cable a la bornera de alimentación eléctrica, ubicada en la base del calefactor (vea la Figura 6).

NOTA: la unidad es de 240/208 volts. Cuando se use un cable de dos conductores con tierra, el cable blanco debe marcarse como negro mediante el agregado de un trozo de cinta eléctrica negra al cable cerca del punto de conexión.

NOTA: para disminuir la energía térmica de la unidad calefactora, vea 'Ajustes de la energía térmica', Tabla 2, y el diagrama de conexionado de la Figura 7.

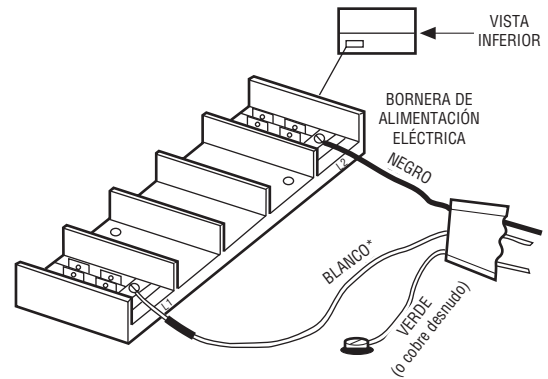


Figura 6

***NOTA:** la unidad es de 240/208 volts. Cuando se use un cable de dos conductores con tierra, el cable blanco debe marcarse como negro

ADVERTENCIA

PARA EVITAR UN POSIBLE CHOQUE ELÉCTRICO, ANTES DE INTENTAR EL AJUSTE DE LA ENERGÍA TÉRMICA DE ESTA UNIDAD DESCONECTE LA ALIMENTACIÓN ELÉCTRICA DEL CALEFACTOR EN EL TABLERO PRINCIPAL DE SERVICIO.

Ajuste de la energía térmica

La energía térmica puede aumentarse o disminuirse mediante la conmutación de cables en la bornera de cambio de potencia eléctrica (watts). El calefactor está cableado en la fábrica para entregar una energía térmica de 17 065 BTU por hora. En caso de que su aplicación particular requiera menor energía térmica, consulte la Tabla 2 y cambie los cables en la bornera de cambio de potencia eléctrica (watts), como se muestra en el Diagrama de Conexionado de la Figura 7.

Tabla 2 – Ajustes de la energía térmica

BTU/h	VOLTS	WATTS	TAMAÑO MÁXIMO DEL FUSIBLE	CONSUMO DEL CALEFACTOR (AMPERES)	PASAR PUENTES DE CABLE DE (C-D) A (A-B)
25 598	240	7 500	45	31,3	NINGUNO
21 331	240	6 250	35	26,1	AZUL
17 065	240	5 000	30	20,9	AZUL Y AMARILLO
12 799	240	3 750	20	15,7	AZUL, AMARILLO Y ROJO
19 198	208	5 625	40	27,1	NINGUNO
15 990	208	4 685	30	22,3	AZUL
12 799	208	3 750	25	18,1	AZUL Y AMARILLO
9 598	208	2 812	20	13,6	AZUL, AMARILLO Y ROJO

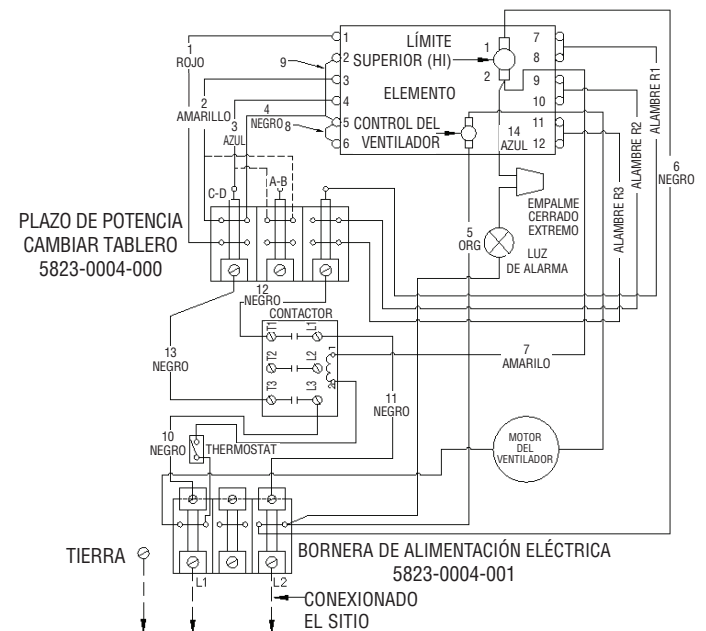


Figura 7 - Diagrama de conexión

INSTRUCCIONES DE OPERACIÓN

1. El calefactor debe instalarse correctamente antes de ponerlo en funcionamiento.
2. Después de que el calefactor esté montado por completo, haga girar la perilla del termostato en sentido antihorario hasta que el control llegue a un tope. Esta es la posición de calor mínimo.
3. Conecte la alimentación eléctrica al calefactor en el tablero de distribución principal.
4. En esas condiciones, el calefactor no debe funcionar. Si funciona, desconecte la alimentación eléctrica y vuelva a inspeccionar el conexión.
5. Haga girar la perilla del termostato en sentido horario hasta que llegue a un tope (posición de calor máximo).
6. El calefactor debe encenderse después de un breve retardo (vea abajo 'Retardo automático del ventilador'). Si el calefactor y el ventilador no entran en funcionamiento, desconecte la alimentación eléctrica e inspeccione el conexión.

NOTA: la primera vez que usted haga funcionar la unidad, es posible que humee levemente. Esto se debe a los residuos de los agentes limpiadores que se utilizaron para limpiar el elemento calefactor cuando se fabricó la unidad. Esto es normal, y no está indicando ningún problema con la unidad. Esta condición desaparecerá después de que el calefactor haya estado funcionando durante unos pocos minutos.

7. Deje que el calefactor continúe funcionando hasta que la temperatura ambiente alcance el nivel de confort deseado. Luego haga girar la perilla del termostato lentamente en sentido antihorario, hasta que se escuche el 'clic' que indica que el termostato apagó el calefactor. (Tenga en cuenta que el retardo del ventilador mantendrá el ventilador funcionando hasta que los elementos calefactores se enfríen). El calefactor hará ciclos de encendido y apagado, para mantener la temperatura de la habitación.
8. Puede que sea necesario volver a ajustar el termostato una o más veces hasta que se alcance el nivel de confort exacto. La rotación en sentido horario aumentará el tiempo durante el cual el calefactor producirá calor. La rotación en sentido antihorario reducirá el tiempo durante el cual el calefactor está encendido.

Retardo automático del ventilador: el UH724STA cuenta con un retardo automático del ventilador. Cuando el termostato demanda calor, la acción del ventilador se demora momentáneamente hasta que el elemento calefactor se caliente. Esto impide la circulación de aire frío. Cuando el calefactor eleva la temperatura de la habitación hasta el valor prefijado por el termostato, el elemento calefactor se apaga, pero el ventilador continúa funcionando hasta que el elemento calefactor se enfríe. Esto impide la exposición de la unidad al calor residual, con lo que proporciona un mayor nivel de confort y prolonga la vida del elemento calefactor.

Límite térmico automático: el UH724STA está equipado con un límite térmico que apagará automáticamente la unidad en caso de sobrecalentamiento. Si se activa el límite térmico, se hará visible una luz de alarma en el frente del calefactor, cerca de la perilla del termostato. El calefactor se encenderá cuando la temperatura de funcionamiento vuelva a su valor normal. Si la unidad se sobrecalienta y activa el límite térmico, debe determinarse la causa del sobrecalentamiento antes de proseguir la operación.

⚠ ADVERTENCIA ⚠

NO ALTERE NI PUENTE NINGÚN LÍMITE DE SEGURIDAD INTERNO DEL CALEFACTOR.

PRECAUCIÓN ⚠

ATENCIÓN: SI EL LÍMITE TÉRMICO SE ACTIVA REPETIDAMENTE, NO VUELVA A INTENTAR USAR EL CALEFACTOR. SI LO HACE, EL CALEFACTOR PUEDE SUFRIR DAÑOS PERMANENTES, O PROVOCAR UN INCENDIO O RIESGO PARA LA SEGURIDAD.

NOTA: si la unidad se instala en un área en la que la temperatura es menor que 10 °C (50 °F), es posible que el ventilador haga ciclos de encendido y apagado hasta que la temperatura de la habitación sea mayor que 10 °C (50 °F). Esto es normal, y no está indicando ningún problema con la unidad. Tan pronto como el calefactor caliente el aire de la habitación por encima de 10 °C (50 °F), el ventilador funcionará continuamente hasta que el termostato haya alcanzado el valor prefijado de temperatura de la habitación.

Ajuste de la dirección de circulación del aire

Usted puede ajustar la dirección de circulación del aire de alguna de estas formas:

1. Hacer girar la unidad. Si la unidad se hubiera instalado mediante un único tirafondo, como se muestra en la Figura 8, simplemente hágala girar según sea necesario para ajustar la circulación del aire.
2. Inclinar la unidad. Afloje los tornillos del soporte, incline el calefactor

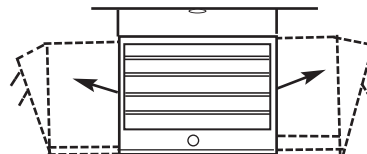


Figura 8

hasta la posición deseada, y vuelva a apretar los tornillos del soporte (vea la Figura 4).

NOTA: para inclinar el calefactor se lo debe montar en las ranuras tipo bocallave inferiores del soporte de montaje, a fin de mantener un espacio libre adecuado e impedir un posible sobrecalentamiento.

3. Ajustar las celosías a la posición deseada.

NOTA: las celosías están diseñadas de modo que no se las pueda cerrar por completo. No intente anular esta característica, porque puede dañar la unidad.

INSTRUCCIONES DE MANTENIMIENTO

Es importante mantener limpio este calefactor. Su calefactor le brindará muchos años de servicio y confort con sólo un mínimo de cuidado. Para asegurar un funcionamiento eficiente, observe las instrucciones simples que se indican a continuación.

ADVERTENCIA

TODOSERVICIO, MÁS ALLÁ DE UNA SIMPLE LIMPIEZA, QUE REQUIERA UN DESMONTAJE DEBE SER REALIZADO POR PERSONAL DE SERVICIO CALIFICADO.

ADVERTENCIA

PARA REDUCIR EL RIESGO DE INCENDIO Y DE CHOQUE ELÉCTRICO O LESIONES, DESCONECTE TODA LA ALIMENTACIÓN ELÉCTRICA QUE LLEGA AL CALEFACTOR EN EL TABLERO PRINCIPAL DE SERVICIO Y VERIFIQUE QUE EL ELEMENTO CALEFACTOR ESTÉ FRÍO ANTES DE PRESTAR SERVICIO O DE REALIZAR EL MANTENIMIENTO.

Instrucciones de limpieza para el usuario:

1. Después de que el calefactor se haya enfriado, puede utilizarse una aspiradora con accesorio de cepillo para eliminar el polvo y la pelusa de las superficies exteriores del calefactor, incluidas las aberturas de la rejilla.
2. Con un paño húmedo, elimine el polvo y la pelusa de la rejilla y las superficies exteriores.
3. Vuelva a conectar la alimentación eléctrica al calefactor y asegúrese de que funcione correctamente.

Instrucciones de limpieza de mantenimiento:

(a realizarse únicamente por personal de servicio calificado)

Al menos una vez por año, un técnico de servicio calificado debe limpiar y prestar servicio al calefactor para garantizar un funcionamiento seguro y eficiente. Después de terminada la limpieza y servicio, debe verificarse que el calefactor funcione correctamente.

GARANTÍA LIMITADA

Todos los productos fabricados por Marley Engineered Products tienen garantía contra defectos de fabricación y materiales por un año a partir de la fecha de instalación, a excepción de los elementos calefactores, que está garantizado contra defectos de fabricación y materiales por cinco años a partir de la fecha de instalación. Esta garantía no se aplica a los daños causados por accidente, uso incorrecto o alteración, tensión conectada superior al 5% de la especificada en la placa de datos o instalación, cableado o mantenimiento incorrecto del equipo en violación de las instrucciones de instalación. Todos los reclamos de garantía deben estar acompañados por un comprobante de la fecha de instalación.

El cliente se hará cargo de todos los costos incurridos para la desinstalación o reinstalación de los productos, incluida la mano de obra y los costos de envío de los productos devueltos. Dentro de las limitaciones de esta garantía, las unidades que no funcionen deben ser devueltas a Marley Engineered Products para que las reparemos o cambiemos, a nuestra entera discreción, sin costo alguno para el cliente y con el flete a cargo de Marley. Se conviene que dicha reparación o cambio es el único resarcimiento que ofrece Marley Engineered Products.

ESTAS GARANTÍAS REEMPLAZAN A CUALQUIER OTRA GARANTÍA EXPLÍCITA O IMPLÍCITA, Y TODA GARANTÍA IMPLÍCITA DE COMERCIABILIDAD Y APTITUD PARA UN FIN DETERMINADO QUE EXCEDA LAS GARANTÍAS EXPLÍCITAS MENCIONADAS ARRIBA QUEDARÁ EXCLUIDA DEL PRESENTE ACUERDO. MARLEY ENGINEERED PRODUCTS NO SERÁ RESPONSABLE POR LOS DAÑOS EMERGENTES QUE SURJAN CON RESPECTO AL PRODUCTO, YA SEA BASÁNDOSE NEGLIGENCIA, RESPONSABILIDAD CIVIL, RESPONSABILIDAD OBJETIVA O CONTRATO.

Algunos estados no permiten la exclusión o limitación de los daños incidentales o emergentes, por lo que es posible que la exclusión o limitación mencionada arriba no se aplique en su caso. Esta garantía le otorga derechos legales específicos, pero usted podría tener otros derechos adicionales dependiendo del estado.

Los productos devueltos a la fábrica deben estar acompañados por una autorización de devolución y un rótulo de identificación de reparación, que deben ser proporcionados por Marley Engineered Products. Al solicitar una autorización de devolución, incluya todos los números de catálogo que se muestran en los productos.

CÓMO OBTENER SERVICIO EN GARANTÍA, PIEZAS DE REPUESTO E INFORMACIÓN GENERAL

- | | |
|--|---|
| 1. Servicio o repuestos en garantía | 1-800-642-4328 |
| 2. Compra de repuestos | 1-800-654-3545 |
| 3. Información general sobre productos | www.marlymep.com |

NOTA: cuando solicite servicio, siempre dé la información que sigue:

1. Número de modelo del producto
2. Fecha de fabricación
3. Número de parte o descripción

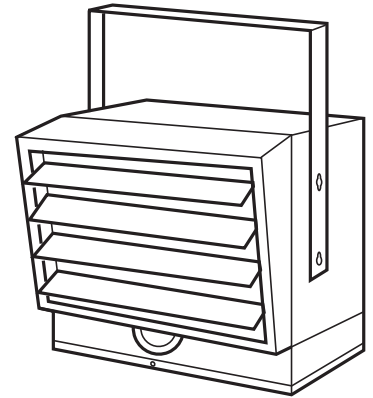


Marley
Engineered Products

470 Beauty Spot Rd. East
Bennettsville, SC 29512 USA

UH724STA

Radiateur de chauffage horizontal / vertical



Instructions d'installation, d'utilisation et d'entretien

Tableau 1 - Spécifications

Puissance et tension du radiateur	BTU/H	Phase	Contacteur intégré	Hauteur de montage en pieds (mm)				Portée min. horizontale d'air en pieds (mm)	Distance du trou de montage au mur en pouces (mm)
				Installation Verticale		Installation Horizontale			
				Min.	Max.	Min.	Max.		
*7 500 W @ 240V 6 250W @ 240V 5 000W @ 240V 3 750W @ 240V	25 598 21 331 17 065 12 799	1	Non	6' (1829)	11' (3353)	6' (1829)	8' (2438)	18' (5472)	**13" (330)
*5 625W @ 208V 4 685W @ 208V 3 750W @ 208V 2 812W @ 208V	19 198 15 990 12 799 9 598	1	Non	6' (1829)	11' (3353)	6' (1829)	8' (2438)	18' (5472)	**13" (330)

* Le radiateur est livré de l'usine câblé pour ces puissances. Le radiateur peut être ajusté sur site pour les autres puissances (Référez-vous au Tableau 2 "Réglage des puissances de sortie").

** 48" (1 219 mm) quand la direction verticale du flux d'air du radiateur est entre 45° vers le haut et la verticale.

INSTRUCTIONS IMPORTANTES

⚠ AVERTISSEMENT ⚠

LORS DE L'UTILISATION D'APPAREILS ÉLECTRIQUES, DES PRÉCAUTIONS DE BASE DOIVENT TOUJOURS ÊTRE SUIVIES AFIN DE RÉDUIRE LE RISQUE DE DÉPART D'INCENDIE, DE COMMOTION ÉLECTRIQUE ET DE BLESSURES AUX PERSONNES, INCLUANT CELLES QUI SUIVENT :

- Lisez toutes les instructions avant d'installer ou d'utiliser le radiateur.
- Ce radiateur est chaud quand il est en fonctionnement. Pour éviter des brûlures, ne laissez pas la peau nue toucher ses surfaces chaudes. Maintenez les matières combustibles comme le mobilier, les oreillers, la literie, les papiers, les vêtements et les couvertures, à au moins 3 pieds (90 cm) de distance de l'avant du radiateur.
- Il faut faire très attention quand un radiateur quelconque est utilisé par des enfants ou des personnes invalides ou près d'eux, et à chaque fois que le radiateur est laissé en marche sans surveillance.
- N'utilisez plus un radiateur s'il a présenté des dysfonctionnements. Débranchez son alimentation au panneau de distribution du secteur et faites-le inspecter par un bon électricien avant de le réutiliser.
- Ne l'utilisez pas à l'extérieur.
- Pour déconnecter le radiateur, passez sa commande sur arrêt (Off) et coupez le secteur en amont au panneau de distribution.
- N'insérez pas d'objets étrangers, et ne permettez pas qu'il en entre, dans toute ouverture d'admission ou d'évacuation, car cela peut causer une commotion électrique ou un départ d'incendie, ou endommager le radiateur.
- Pour éviter un possible départ d'incendie, n'obstruez en aucune façon les admissions et les échappements d'air.
- Un radiateur comporte à l'intérieur des parties chaudes, et pouvant produire un arc ou des étincelles électriques. Ne l'utilisez pas dans des zones où de l'essence ou des liquides inflammables sont utilisés ou entreposés.
- N'utilisez ce radiateur que comme c'est décrit dans ce manuel. Toute autre utilisation non recommandée par le constructeur peut entraîner un départ d'incendie.
- Ce radiateur est fourni avec un voyant rouge d'alerte qui ne s'allume que quand le radiateur est désactivé suite à une surchauffe. Si vous voyez ce voyant allumé, arrêtez immédiatement le radiateur et inspectez pour voir s'il y a des objets dessus ou à côté qui pourraient avoir bloqué le flux d'air ou avoir fait qu'une surchauffe soit survenue. **NE FAITES PAS FONCTIONNER LE RADIATEUR AVEC LE VOYANT D'ALARME ALLUMÉ.**
- Ce radiateur est conçu pour des applications de chauffage de confort et n'est pas prévu pour une utilisation dans des environnements spéciaux. Ne l'utilisez pas dans des lieux humides ou mouillés, tels que dans un contexte marin ou une serre, ou dans des endroits où il y a une présence d'agents corrosifs ou chimiques.
- Lors de l'installation, voyez les INSTRUCTIONS D'INSTALLATION pour des mises en gardes et précautions supplémentaires.
- Pour un fonctionnement sûr et efficace, et pour prolonger sa durée de service, gardez votre radiateur propre – Voyez les INSTRUCTIONS D'ENTRETIEN.

CONSERVEZ CES INSTRUCTIONS

INSTRUCTIONS D'INSTALLATION

⚠ AVERTISSEMENT ⚠

Pour éviter un possible départ d'incendie, des blessures corporelles ou des dommages au radiateur, respectez ces consignes :

1. Débranchez toute alimentation secteur arrivant au panneau de service principal avant de câbler ou d'intervenir pour du service.
2. Toutes les procédures de câblage et les raccordements doivent être en conformité avec les normes nationales et locales applicables, et le radiateur doit être relié à la terre.
3. Vérifiez que la tension du secteur arrivant au radiateur correspond bien aux valeurs spécifiées sur sa plaque signalétique.

ATTENTION : ALIMENTER LE RADIATEUR AVEC UNE TENSION DÉPASSANT LA VALEUR IMPRIMÉE SUR LA PLAQUE SIGNALÉTIQUE ENDOMMAGERA LE RADIATEUR ET ANNULERA SA GARANTIE, ET CELA PEUT PROVOQUER UN DÉPART D'INCENDIE.

4. **ATTENTION** – Température élevée et risque de départ d'incendie, gardez les cordons électriques, les draperies et textiles d'intérieur, et d'autres matières combustibles, à au moins 3 pieds (90 cm) de l'avant du radiateur. N'installez pas le radiateur derrière des portes, sous des porte-serviettes ou dans une zone où il est susceptible d'être bloqué par des meubles, des rideaux ou des matériaux de rangement. L'air chaud venant du radiateur peut endommager certains tissus et plastiques.
5. Pour réduire le risque de départ d'incendie, n'entreposez pas et n'utilisez pas d'essence ou d'autres produits inflammables sous forme de liquide ou de vapeurs à proximité du radiateur.
6. Quand le radiateur doit être monté sur un mur ou un plafond, les moyens d'ancrage doivent être assez solides pour supporter le poids total du radiateur plus les dispositifs de montage. Ne pas renforcer correctement les parties de support sur la structure du bâtiment peut faire que le chauffage tombera.
7. Les écartements suivants doivent être respectés :
 - Pour un radiateur vertical, du bas du radiateur au sol : 6' (1 829 mm) minimum, 11' (3 353 mm) maximum
 - Pour un radiateur à flux d'air horizontal, du bas du radiateur au sol : 6' (1 829 mm) minimum, 8' (2 438 mm) maximum
 - Des côtés du radiateur à une cloison adjacente : Flux d'air d'horizontal à 45° vers le bas : 13" (330 mm) - De 45° vers le bas à tout en bas : 48" (1 219 mm).

Envoi vers n'importe quel objet : 36" (915 mm) au minimum

8. N'utilisez pas ce radiateur pour faire sécher de la peinture, du plâtre. De la sciure ou de la poussière de ponçage de cloison sèche endommageraient de façon permanente le radiateur, et doivent être tenues à l'écart.

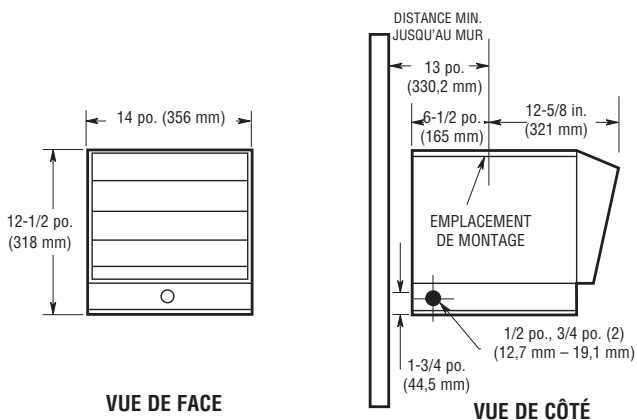


Figure 1 – Données dimensionnelles

Déballage de votre radiateur neuf

Sortez le radiateur de son carton et inspectez-le pour chercher des dommages éventuels. S'il semble endommagé, renvoyez-le immédiatement au magasin où vous l'avez acheté.

Outils nécessaires

Il vous faudra les outils suivants pour installer votre radiateur électrique UH724STA :

- Tournevis
- Pincettes à bords fins
- Pincettes
- Perceuse électrique avec foret de 1/4" (6,35 mm)
- Clé à molette

Matériel nécessaire

Vous aurez aussi besoin du matériel suivant pour l'installation :

- Suffisamment de câble trois fils (incluant le fil de terre) en cuivre isolé calibre 8 pour aller du disjoncteur/fusible secteur jusqu'au radiateur. N'utilisez que du fil de cuivre supportant au moins 75 °C. N'utilisez pas de conducteur en aluminium pour alimenter cet appareil.
- Des fusibles ou un disjoncteur de capacité appropriée, en conformité avec la norme électrique américaine. Consultez également le Tableau 2 sur les réglages de puissance de sortie.
- Tire-fond pour vissage dans le bois de 3/8" x 2" (9,5 x 50 mm) (Qté.: 1 ou 2).
- Rondelle de 3/8" (9,7 mm) (Qté.: 2)
- Raccords pour fils dimensionnés pour votre application.

REMARQUE : Pour certaines applications un conduit peut être nécessaire (voir la Figure 2). Vérifiez le contenu des normes électriques locales. Si le câblage passe dans un conduit, assurez-vous qu'il y aura assez de conduit flexible pour pouvoir tourner le radiateur si nécessaire.

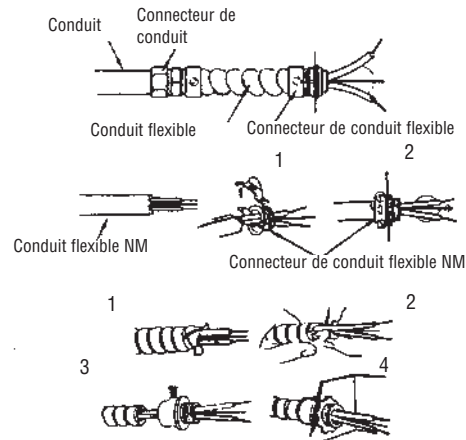


Figure 2 - Connecteurs, câble et matériel utilisés pour connecter l'UH724STA

Localisation du radiateur

Le radiateur doit être installé en dehors des zones de trafic et à au moins 6' (180 cm) du sol. La direction du flux d'air ne doit pas être obstruée (comme par colonnes ou machines) et il doit glisser sur les murs exposés, et non pas souffler directement contre. Quand plusieurs radiateurs sont utilisés dans une zone, ils doivent être disposés de façon à ce que l'envoi d'air de chacun soutienne celui des autres, afin de fournir la meilleure circulation de l'air chaud, comme c'est indiqué dans la Figure 3 ci-dessous.

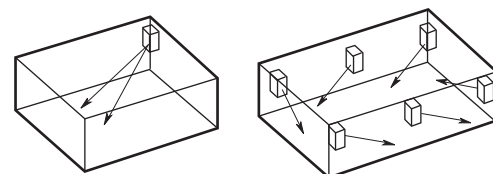


Figure 3

Montage

1. Enlevez la cornière de montage du bloc de radiateur en desserrant ses vis avec une clé et en sortant la poignée en la glissant par-dessus les têtes de vis.
2. Localisez une solive au plafond et fixez la cornière de montage dessus comme c'est montré aux Figures 4-A ou 4-B. Placez une rondelle sur la vis entre cornière et plafond pour servir d'entretoise, et vissez dans la solive. Serrez suffisamment la vis pour bien tenir le radiateur avec le flux d'air dirigé dans la bonne direction.

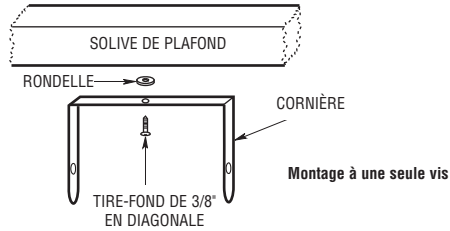


Figure 4-A

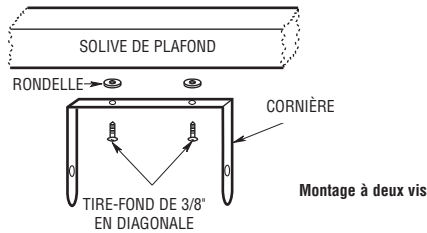


Figure 4-B

3. Soulevez le radiateur à l'intérieur de la cornière de montage. Alignez les vis de chaque côté du radiateur avec les trous allongés dans la cornière. Si le radiateur doit être incliné, il faut le positionner dans les trous allongés les plus bas (voir la Figure 5). Serrez les vis de cornière de façon à ce que l'appareil soit correctement suspendu dans la position voulue.

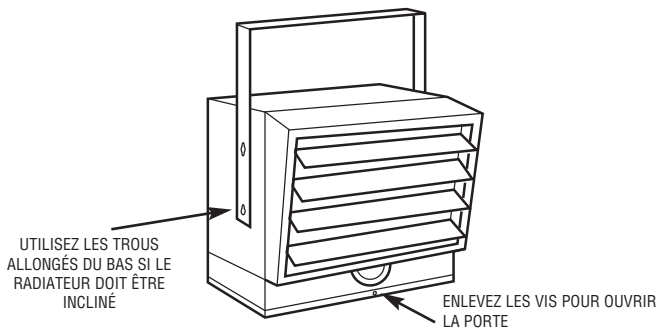


Figure 5

Câblage

1. Pour raccorder l'alimentation du radiateur, ôtez simplement la vis de son devant. Cela permet au bas sur charnière de s'ouvrir, en donnant accès au câblage électrique et aux connecteurs (Voir la Figure 5).
2. Branchez les connecteurs de câble sur l'appareil (Voir la Figure 2) en glissez le fil calibre 8 dans le connecteur de câble. Tirez suffisamment de fil dans le connecteur pour pouvoir réaliser les raccordements.

REMARQUE : Volume du compartiment de câblage : 370 pouces³ (6 063 cm³)

3. Branchez le fil sur le bornier d'alimentation situé à la base du radiateur (voir la Figure 6).

REMARQUE : L'appareil est alimenté en 240/208 volts. Quand vous utilisez un câble à deux conducteur plus la terre, son fil blanc doit être marqué en noir avec de la bande autocollante noire pour électricité sur le fil près de son point de raccordement.

REMARQUE : Pour diminuer la puissance de sortie du radiateur de chauffage consultez la partie "Réglage de puissance de chauffage" au Tableau 2 et le schéma de câblage en Figure 7.

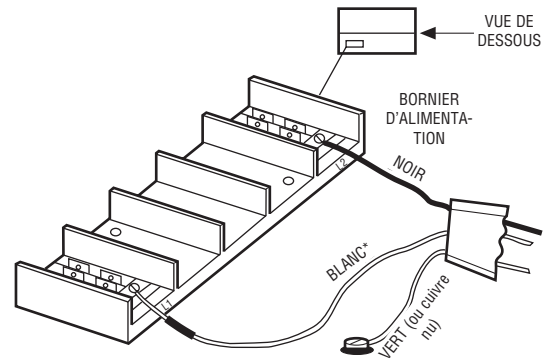


Figure 6

***REMARQUE :** 240/208 volts. Quand le câble comporte deux conducteurs plus le fil de terre, le fil blanc doit être marqué en noir à son extrémité.

AVERTISSEMENT

POUR ÉVITER UNE POSSIBLE COMMOTION ÉLECTRIQUE, DÉBRANCHEZ L'ALIMENTATION SECTEUR EN AMONT AVANT DE COMMENCER À MODIFIER LA PUISSANCE DE SORTIE DU RADIATEUR.

Réglage de la puissance de sortie

La puissance de sortie peut être augmentée ou diminuée en déplaçant des fils sur la carte de terminaisons pour modification de puissance. Le radiateur est câblé en usine pour donner une puissance de chauffe au maximum, de 17 065 BTU par heure. Si une quelconque application demande moins de puissance de sortie, référez-vous au Tableau 2 qui suit et déplacez les fils convenables sur la carte de terminaisons comme c'est montré au schéma de câblage en Figure 7.

TABLEAU 2. Réglages de puissance de sortie

BTU/H	VOLTS	WATTS	DIMENSION MAX. DE FUSIBLE	DÉPLACEZ LES COURANT TIRÉ EN AMPÈRES	CAVALIERS DE C-D À A-B
25 598	240	7 500	45	31,3	AUCUN
14 215	240	6 250	35	26,1	BLEU
11 365	240	5 000	30	20,9	BLEU ET JAUNE
8 533	240	3 750	20	15,7	BLEU, JAUNE ET ROUGE
12 799	208	5 625	40	27,1	AUCUN
10 659	208	4 685	30	22,3	BLEU
8 533	208	3 750	25	18,1	BLEU ET JAUNE
6 396	208	2 812	20	13,6	BLEU, JAUNE ET ROUGE

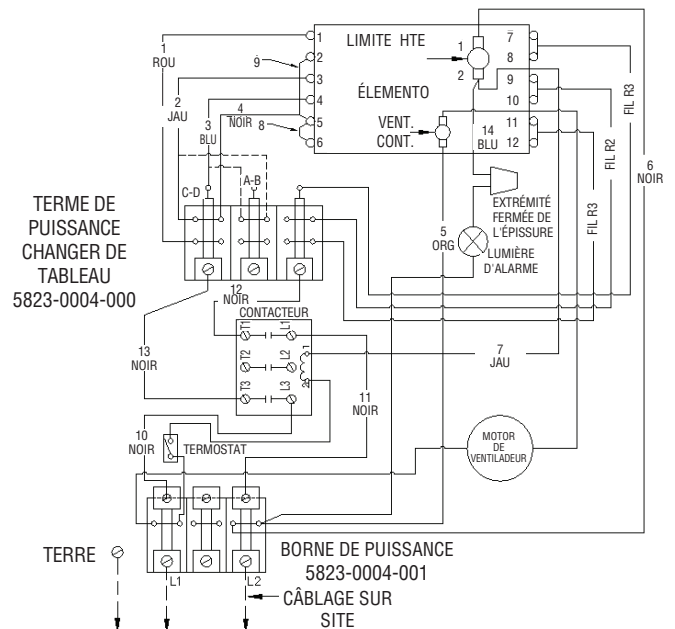


Figure 7 – Schéma de câblage

INSTRUCTIONS D'UTILISATION

1. Le radiateur doit être correctement installé avant d'être mis en marche.
2. Une fois le radiateur complètement assemblé, tournez le bouton de thermostat complètement en sens antihoraire jusqu'à l'arrêt. C'est le réglage de consigne minimale de température.
3. Mettez le radiateur en marche (ON) au panneau de commande principal.
4. Le radiateur ne doit pas démarrer. S'il démarrait coupez son alimentation et vérifiez le câblage.
5. Tournez le thermostat en sens horaire complètement jusqu'à la butée.
6. Le radiateur doit se mettre en marche après un bref délai (Voyez la partie Temporisation automatique de ventilateur plus loin). Si le radiateur et ventilateur ne démarrent pas, débranchez l'alimentation et vérifiez le câblage.

REMARQUE : La première fois que vous ferez fonctionner le radiateur il peut fumer un peu. C'est dû à des résidus d'agents de nettoyage utilisés pour nettoyer l'élément de chauffage pendant la construction du radiateur. C'est un phénomène normal qui n'indique pas un problème avec l'appareil. Cette situation cessera une fois que le radiateur aura fonctionné pendant quelques minutes.

7. Laissez le radiateur continuer de fonctionner jusqu'à ce que la température de la pièce atteigne le niveau confortable souhaité. Tournez alors le bouton du thermostat en sens antihoraire jusqu'à l'obtention d'un déclic. (Notez que la temporisation de ventilateur le gardera en activité jusqu'au refroidissement des éléments). Le radiateur aura des cycles d'activation/désactivation pour maintenir la température de la pièce autour de la consigne.
8. Il peut être nécessaire de réajuster le thermostat une ou deux fois jusqu'à ce que la température exacte de confort soit obtenue. Une rotation en sens horaire va augmenter la durée pendant laquelle le radiateur va chauffer. Une rotation en sens antihoraire va réduire la durée de fonctionnement du radiateur.

Temporisation automatique de ventilateur : L'UH724STA comporte une temporisation sur la commutation de la ventilation. Quand le thermostat demande de la chaleur, le démarrage du ventilateur est retardé momentanément jusqu'à ce que les éléments aient chauffé. Cela évite d'envoyer de l'air froid au démarrage. Quand la température a monté la température de la pièce au niveau du point de consigne de thermostat, l'élément de chauffe est désactivé mais le ventilateur continue de tourner jusqu'à ce qu'il ait refroidi. Cela évite de faire subir au radiateur de la chaleur résiduelle, fournit un meilleur niveau de confort et prolonge la durée de service des éléments.

Limitation thermique automatique : L'UH724STA est équipé d'un limiteur thermique qui coupe automatiquement le radiateur en cas de surchauffe. En cas de déclenchement de la limite thermique, un voyant d'alerte s'allumera à l'avant du radiateur, près du bouton du thermostat. Le radiateur redémarrera quand sa température interne reviendra dans sa plage normale. Si l'appareil surchauffe et fait souvent déclencher l'alerte thermique, la cause de sa surchauffe doit être déterminée avant de continuer à l'utiliser.

AVERTISSEMENT

NE TOUCHEZ PAS ET NE CONTOURNEZ PAS LES LIMITES DE SÉCURITÉ À L'INTÉRIEUR DU RADIATEUR

ATTENTION

NE CONTINUEZ PAS D'ESSAYER D'UTILISER LE RADIATEUR SI SON CONTRÔLE DE SÉCURITÉ SE DÉCLENCHE À RÉPÉTITION APRÈS SA RESTAURATION. EN LE FAISANT VOUS POURRIEZ L'ENDOMMAGER DE FAÇON IRRÉMÉDIABLE OU CAUSER UN DÉPART D'INCENDIE OU DES RISQUES POUR LA SÉCURITÉ.

REMARQUE : Si l'appareil est installé dans une zone où la température est à moins de 50 °F (10 °C) le ventilateur peut s'activer/se désactiver jusqu'à ce que la température ambiante remonte au-dessus de ce seuil, c'est normal et cela n'indique pas un problème avec le radiateur. Aussitôt que le radiateur a réchauffé l'air de la pièce au-dessus de 50°F, le ventilateur va tourner en permanence jusqu'à ce que le point de consigne soit atteint au thermostat.

Réglage de la direction du flux d'air

Pour pouvez régler la direction du flux d'air de sortie ainsi :

1. Tournez l'appareil. S'il a été installé avec un seul tire-fond, comme montré sur la Figure 8, tournez simplement tout le radiateur selon le besoin pour ajuster la direction du flux d'air.

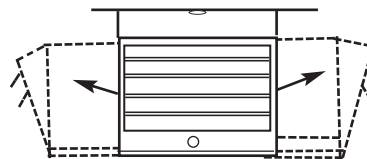


Figure 8

2. Faites pivoter l'appareil. Desserrez les vis de cornière, penchez le radiateur en position voulue, puis resserrez les vis de cornière (Voir la Figure 4).

REMARQUE : Pour faire basculer le radiateur il faut qu'il ait été monté dans les trous allongés du bas de la cornière de montage afin de garder un écartement adéquat et éviter une possible surchauffe.

3. Ajustez les volets à la position désirée.

REMARQUE : Les volets sont conçus pour ne pas se fermer complètement. N'essayez pas de forcer contre cette limitation, vous pourriez endommager le radiateur.

INSTRUCTIONS D'ENTRETIEN

Il est important de garder propre le radiateur. Votre radiateur vous fournira des années de bon service et de confort avec juste un minimum de soins. Pour assurer son fonctionnement efficace, suivez les instructions simples ci-dessous :

AVERTISSEMENT

TOUTE INTERVENTION DE SERVICE AU-DELÀ D'UN SIMPLE NETTOYAGE, QUI NÉCESSITE UN DÉMONTAGE, DEVRA ÊTRE RÉALISÉE PAR DU PERSONNEL DE SERVICE QUALIFIÉ.

AVERTISSEMENT

POUR RÉDUIRE LE RISQUE DE DÉPART D'INCENDIE ET DE COMMOTION ÉLECTRIQUE OU DE BLESSURE, DÉBRANCHEZ TOUTE ALIMENTATION ÉLECTRIQUE ALLANT AU RADIATEUR EN AMONT AU PANNEAU DE SERVICE, ET VÉRIFIEZ QUE L'ÉLÉMENT DE CHAUFFE EST FROID AVANT D'INTERVENIR POUR DU SERVICE OU DE L'ENTRETIEN.

Instructions de nettoyage par l'utilisateur :

1. Une fois que le radiateur est froid, vous pouvez utiliser un aspirateur avec son accessoire brosse pour éliminer la poussière et les peluches des surfaces extérieures du radiateur, y compris les ouvertures de la grille.
2. Avec un chiffon humide, enlevez poussière et peluche de la grille et des surfaces extérieures.
3. Remettez le radiateur sous tension et vérifiez son bon fonctionnement.

Instructions de nettoyage d'entretien :

(Ne doit être exécuté que par du personnel de service qualifié)

Au moins une fois par an le radiateur doit être nettoyé et vérifié par une personne de service qualifiée afin d'assurer un fonctionnement sûr et efficace. Une fois le nettoyage et le service terminés, le radiateur doit être complètement remonté et son bon fonctionnement vérifié.

GARANTIE LIMITÉE

Tous les produits fabriqués par Marley Engineered Products sont garantis contre les défauts au niveau de la main-d'oeuvre et des matériaux pendant un (1) an de la date de l'installation. Les éléments chauffants garanti contre les défauts au niveau de la main-d'oeuvre et des matériaux pendant cinq ans de la date d'installation. Cette garantie ne s'applique pas en cas de dommages découlant d'un accident, d'une mauvaise utilisation ou d'une modification, ni où la tension connectée est de plus de 5 % au-dessus de la tension de la plaque signalétique, ni où de l'équipement incorrectement installé ou câblé ou entretenu de manière non conforme aux instructions d'installation du produit. Toutes les réclamations à des fins de garantie doivent être accompagnées par la preuve de la date d'installation.

Le client est responsable de tous les coûts du retrait ou de la réinstallation des produits, y compris les coûts de main-d'oeuvre découlant du retour des produits. Dans les limites de cette garantie, les unités non opérationnelles doivent être retournées à Marley Engineered Products. À notre option, nous réparerons ou remplacerons, sans frais pour le client et avec le fret de retour du produit payé par Marley. Il est convenu qu'une telle réparation ou remplacement est la solution exclusive disponible de Marley Engineered Products.

LES GARANTIES CI-DESSUS SONT AU LIEU DE TOUTES LES AUTRES GARANTIES EXPRESSES OU IMPLICITES DE MARCHANDABILITÉ ET D'ADÉQUATION À UNE FIN PARTICULIÈRE QUI DÉPASSE LES GARANTIES EXPRIMÉES SUSMENTIONNÉES ET SONT PAR LES PRÉSENTES REJETÉES ET EXCLUES DU PRÉSENT ACCORD. MARLEY ENGINEERED PRODUCTS NE DOIT PAS ÊTRE TENU RESPONSABLE DES DOMMAGES DE CONSÉQUENCE DÉCOULANT DE L'UTILISATION DU PRODUIT, QUE CE SOIT PAR NÉGLIGENCE, RESPONSABILITÉ, RESPONSABILITÉ STRICTE OU CONTRAT.

Certains États/provinces ne permettent pas l'exclusion ou la limitation de dommages incidentels ou consécutifs. L'exclusion ou la limitation ci-haut peuvent ne pas s'appliquer dans votre cas. Cette garantie vous octroie des droits juridiques spécifiques.

Vous pourriez avoir d'autres droits variant d'un État/province à l'autre. Communiquez avec Marley Engineered Products à Bennettsville, SC, au 1 800 642-4328. Les produits retournés à l'usine doivent être accompagnés d'une autorisation de retour et d'une étiquette d'identification de service. Les deux sont disponibles de Marley Engineered Products. Lors de la demande d'une autorisation de retour, indiquez tous les numéros de catalogue illustrés sur les produits.

COMMENT OBTENIR DU SERVICE ET DES PIÈCES DANS LE CADRE DE LA GARANTIE ET DES INFORMATIONS GÉNÉRALES

1. Service ou pièces sous garantie **1-800-642-4328**
2. Achat de pièces de remplacement **1-800-654-3545**
3. Informations générales sur les produits **www.marleymep.com**

Remarque : Pour obtenir le service sous garantie vous devez toujours avoir préparé :

1. Référence de modèle du produit
2. Date de fabrication
3. Numéro ou description de pièce



Marley
Engineered Products

470 Beauty Spot Rd. East
Bennettsville, SC 29512 USA