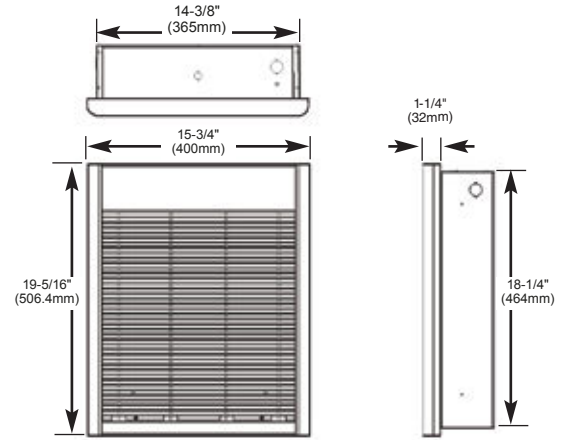




WH Series Architectural Heavy-Duty Wall Heaters

For use with FRC and
AWH Series wall heater



Installation, Operation & Maintenance Instructions

Table 1. Specifications

Model Number	Volts	Phase	Watts	Amps	Min. Supply Wire Gauge
WH3150FC	120	1	1500	12.5	12
WH3180FC	120	1	1800	15.0	12
WH4404FC*	240	1	4000/2000	16.7/8.3	10
	208		3000/1500	14.5/7.2	12
WH4407FC*	277	1	4000/2000	14.5/7.2	12
	240	1	3000/1500	12.5/6.3	12
WH4307FC*	277	1	3000/1500	10.8/5.4	12
WH4408FC*	208	1	4000/2000	19.2/9.6	10
WH44083FC	208	3	4000	11.1	14
WH44043FC	240	3	4000	9.7	14

*NOTE: Factory wired for higher wattage, field convertible to half wattage.

Model Number	Volts	Phase	Watts	Amps	Min. Supply Wire Gauge
WH4303FC	347	1	3000	8.6	14
WH4306FC	600	1	3000	5	14
WH4508FC	208	1	4800	23.1	10
WH4504FC	240	1	4800	20.0	10
	208		3600	17.3	
WH4507FC	277	1	4800	17.3	10
	240		3600	15.0	
WH45083FC	208	3	4800	13.3	12
WH45043FC	240	3	4800	11.6	14
WH4503FC	347	1	4800	13.8	12
WH4506FC	600	1	4800	8	14

*NOTE: Factory wired for higher wattage, field convertible to half wattage.

IMPORTANT INSTRUCTIONS

⚡ **WARNING** ⚠

WHEN USING ELECTRIC APPLIANCES, BASIC PRECAUTIONS SHOULD ALWAYS BE FOLLOWED TO REDUCE THE RISK OF FIRE, ELECTRIC SHOCK, AND INJURY TO PERSONS, INCLUDING THE FOLLOWING:

1. Read all instructions before installing or using this heater.
2. This heater is hot when in use. To avoid burns, do not let bare skin touch hot surfaces. Keep combustible materials, such as furniture, pillows, bedding, papers, clothes, etc. and curtains at least 3 feet (0.9 m) from the front of the heater.
3. Extreme caution is necessary when any heater is used by or near children or invalids and whenever the heater is left operating and unattended.
4. Do not operate any heater after it malfunctions. Disconnect power at service panel and have heater inspected by a reputable electrician before using.
5. Do not use outdoors.
6. To disconnect heater, turn controls to off, and turn off power to heater circuit at main disconnect panel.
7. Do not insert or allow foreign objects to enter any ventilation or exhaust opening as this may cause an electric shock, fire, or damage to the heater.
8. To prevent a possible fire, do not block air intake or exhaust in any manner.
9. A heater has hot and arcing or sparking parts inside. Do not use it in areas where gasoline, paint, or flammable liquids are used or stored.
10. Use this heater only as described in this manual. Any other use not recommended by the manufacturer may cause fire, electric shock, or injury to persons.
11. This heater is intended for comfort heating applications and not intended for use in special environments. Do not use in damp or wet locations such as marine or greenhouse or in areas where corrosive or chemical agents are present.
12. When installing, see INSTALLATION INSTRUCTIONS for additional warnings and precautions.
13. For safe and efficient operation, and to extend the life of your heater, keep your heater clean - See MAINTENANCE INSTRUCTIONS.

SAVE THESE INSTRUCTIONS

INSTALLATION INSTRUCTIONS

⚠ WARNING ⚠

To prevent a possible fire, injury to persons or damage to the heater, adhere to the following:

1. Disconnect all power coming to heater at main service panel before wiring or servicing.
2. All wiring procedures and connections must be in accordance with the National and Local Codes having jurisdiction and the heater must be grounded.
3. Verify the power supply voltage coming to heater matches the ratings as shown on the heater nameplate.

CAUTION: ENERGIZING HEATER AT A VOLTAGE GREATER THAN THE VOLTAGE PRINTED ON THE NAMEPLATE WILL DAMAGE THE HEATER AND VOID THE WARRANTY AND COULD CAUSE A FIRE.

4. **CAUTION** - High temperature, risk of fire, keep electrical cords, drapery, furnishings, and other combustibles at least 3 feet (0.9 m) from front of heater. Do not install heater behind doors, below towel racks, or in an area where it is subject to being blocked by furniture, curtains or storage materials. Hot air from the heater may damage certain fabrics and plastics.
5. To reduce the risk of fire, do not store or use gasoline or other flammable vapors and liquids in the vicinity of the heater.
6. Do NOT use a remote thermostat with this heater. Built in thermostat cycles the heating element only. Fan delay control automatically turns fan ON and OFF, and provides a fan delay OFF feature to remove residual heat after thermostat has turned heating elements off. Wiring of heater in any manner which defeats the fan delay OFF feature can result in overheating and permanent damage to heater, and will void the warranty.
7. For wall mounting only with air discharge downward. Do NOT install in floor, ceiling, upside down (air discharge upward), or sideways.
8. The following minimum clearances must be maintained:
 - Bottom of heater to floor - 8" (203 mm).
 - Sides of heater to adjacent wall - 8" (203 mm).
 - Top of heater to ceiling - 36" (915 mm) - recommended at least 36" (915 mm).
9. Do not operate the heater without the grille installed.
10. This heater is hot when in use. Do NOT install heater behind door, behind towel rack, inside closet, where drapery could touch heater or be damaged by heat, or where airflow to heater may be obstructed. Keep electrical cords, bedding, furniture, and other items away from heater.

Installation of Back Box in New Construction

1. Mounting Back Box (See Figure 1)

- a. Place the back box between two 16" (406 mm) center-to-center wall studs at the desired mounting height but no closer than 8" (203 mm) to adjacent wall or floor.

Note: If wall studs are spaced greater than 16" on center, additional framing supports may be necessary.

- b. Align back box such that the bottom and sides will be flush with finished wall surface (top flange of back box should protrude approximately 1/2" (12.7 mm) from finished wall surface).
- c. Secure the back box in position with wood screws or nails as shown in Figure 1.

2. Power Supply Wiring (See Figure 1)

NOTE: Wire compartment volume - 119in³ (1950cm³).

- a. Run a power supply cable into the knockout area in the upper right hand corner of the back box. All wiring must be in accordance with National and Local Electrical Codes. Refer to Table 1, page 1 for correct wire size.
- b. Remove Power ON/OFF switch bracket by loosening two screws on the right side.
- c. Install a cable clamp in the "knockout" in the top of the back box.
- d. Insert power supply cable through cable clamp, allowing at least 6" (152mm) of leads to extend inside the back box. Connect the blue lead wires of disconnect switch to the supply wire leads using wire connectors (see wiring diagram, pg. 5).
- e. Ground the back box using the green screw located in the inside top of the back box.
- f. Secure Power ON/OFF switch bracket in place by tightening screws.

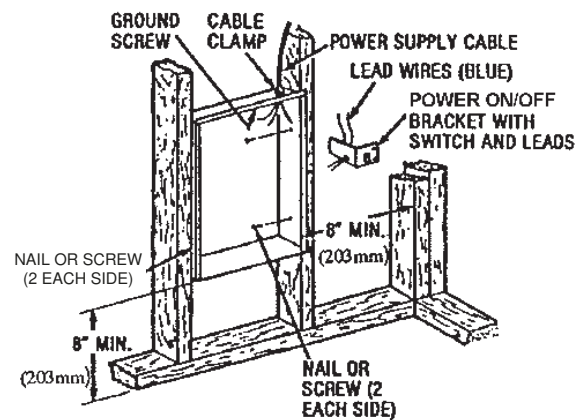


Fig. 1: Locating Back Box in New Construction

Installation of Recessed Back Box in Existing Construction

1. Provide a wall opening 14-1/2" (362mm) wide by 18-1/2" (470mm) high at the desired mounting height, but no closer than 8" (203mm) from floor. (See Figure 2)

NOTE: Locate so at least one side of opening is at wall stud.

2. Power Supply Wiring

NOTE: Wiring Compartment Volume - 119in³ (1950cm³)

- Run a power supply cable into the area above the top of the wall opening. All wiring must be in accordance with National and Local electrical codes. Refer to Table 1, page 1 for correct wire size.
- Remove Power ON/OFF switch bracket by loosening the two screws on the right side.
- Install a cable clamp in the “knockout” in the top of back box.
- Insert power supply cable through cable clamp, allowing approximately 6" (152mm) of cable length to remain inside the back box to facilitate connections.

3. Mounting Back Box

- Place the back box into wall opening flush with finished wall surface on bottom and sides of box. (Top flange of back box should protrude approximately 1/2" or 12.7mm from finished wall surface).
- Secure the back box in place with wood screws or nails.

4. Wiring Power ON/OFF Switch

- Connect the power supply wires to the blue wires of the Power ON/OFF switch using wire connectors (see wiring diagram, pg. 5).
- Ground the back box using the green ground screw located in the inside top of the back box.
- Secure Power ON/OFF switch bracket in place by tightening screws.

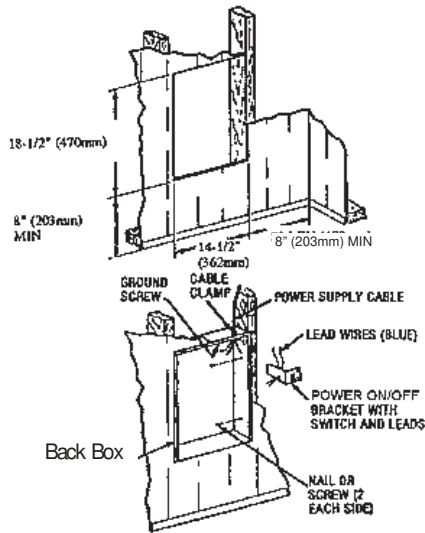


Fig. 2: Locating Back Box in Existing Construction

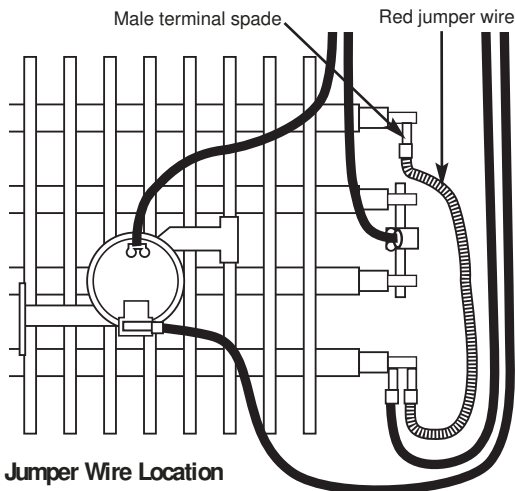


Fig. 3: Jumper Wire Location

Note to Installer: Converting heater to half wattage (Not applicable to WH3150FC and WH3180FC, 120 Volt Models)

The WH Series wall heaters are manufactured and shipped at the higher rated wattage. Full wattage heaters can be converted to half wattage by doing the following steps.

- Remove the red jumper wire as shown in Figure 3 and discard.
- Mark the wattage of the heater on the white label inside the back box.

Installation of Back Box with Optional Surface-Mounting Frame AWHSM (See Figure 4)

- Secure back box to wall with knockouts in upper right hand corner using screws and anchors.
- Hang the surface-mounting frame on the back box. Ensure that the back edge of the surface-mounting frame is flush against the wall.

NOTE: If heater is located in a high traffic area, where it may be subject to vandalism or abuse, take extreme care to see that the box is firmly attached to the wall.

3. Power Supply Wiring

NOTE: Wiring Compartment Volume - 119in³ (1950cm³)

- Run a power supply cable into the area to the right of the mounting frame. Arrangement of wiring to this point must be in accordance with National and Local codes. Refer to Table 1 on page 1 for proper wire size.

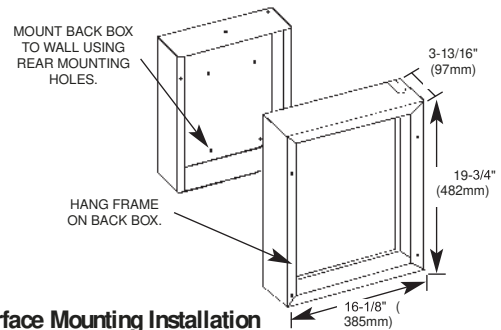


Fig. 4: Surface Mounting Installation

NOTE: If the wiring is to run through the wall, cut a hole in the area of the top of the back box. Run the supply wire through this hole. Then remove the “knockout” from the top of the box and proceed to step C.

- Remove the “knockout” on the top side of the frame.
- Remove Power ON/OFF switch bracket by loosening the two screws on the right side.
- Secure the power supply cable to the back box (using cable clamp, connector, or other suitable strain relief) allowing 6" (152mm) of lead to remain inside the back box.
- Connect supply wires to blue wires of Power On/Off switch using wiring connectors (see wiring diagram, pg. 5)
- Ground the back box by connecting the supply ground leadwire to the green ground screw located in the inside top of the back box.
- Secure Power On/Off switch bracket in place.

Installation of Heater Assembly and Grille

After back box is completely installed and no further construction dirt is expected, clean debris from back box and remove heater assembly from its carton. Then refer to Figure 5 and proceed as follows:

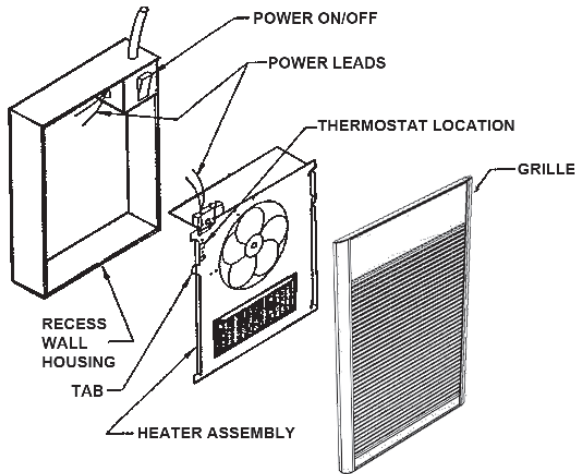


Fig. 5

1. Insert the heater assembly into back box, placing the four mounting holes (with key-hole slots) over the screws in the box. Tighten all screws securely.
2. If surface-mounting frame is used, ensure that the frame is even with all four heater assembly tabs before tightening screws.
3. Connect the two Power ON/OFF switch wires to the heat control circuit leads using wirenuts. After connection, push wires back into the opening. (Applicable diagram on pg. 5).
4. Turn thermostat to the extreme counterclockwise position.
5. Push Power ON/OFF switch into ON position.
6. Mount grille tabs over back box flange (top). Sheet metal flange on top end of grille hooks onto vertical flange on back box.
7. Insert two screws through tabs provided below bottom louver. Tighten screws until grille is pulled flush to the wall (or surface mount frame). **BE CAREFUL, DO NOT OVERTIGHTEN SCREWS.**

OPERATION INSTRUCTIONS

1. Heater must be properly installed before operation.
2. Rotate the thermostat fully clockwise. This should energize the heating elements and cause warm air to flow from the hot air discharge at the openings in the bottom of the grille.
3. After the operation check, rotate the thermostat to the desired position to obtain room comfort.

NOTE: For best results, the heater should be left "ON" constantly during the heating season because the thermostat, when properly set, will maintain the desired temperature.

TO RESET MANUAL RESET LIMIT:

Your heater is equipped with a manual reset safety thermal limit control that will automatically turn the heater off to prevent a fire if the heater overheats. This control is located on the fan panel assembly between the element and fan blade and marked "reset." The red reset button can be seen through the front grille when the heater is installed. To reset, allow the heater to cool, then push the red button that is visible through the hole in the fan panel. The heater should immediately return to normal operation.

MAINTENANCE INSTRUCTIONS

It is important to keep this heater clean. Your heater will give you years of service and comfort with only minimal care. To assure efficient operation follow the simple instructions below.

⚠ WARNING ⚠

ALL SERVICING BEYOND SIMPLE CLEANING THAT REQUIRES DISASSEMBLY SHOULD BE PERFORMED BY QUALIFIED SERVICE PERSONNEL.

⚠ WARNING ⚠

TO REDUCE RISK OF FIRE AND ELECTRIC SHOCK OR INJURY, DISCONNECT ALL POWER COMING TO HEATER AT MAIN SERVICE PANEL AND CHECK THAT THE ELEMENT IS COOL BEFORE SERVICING OR PERFORMING MAINTENANCE.

User Cleaning Instructions:

(To be performed at least Annually)

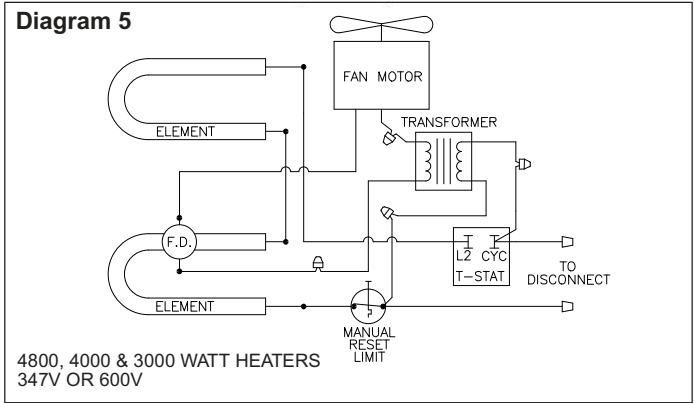
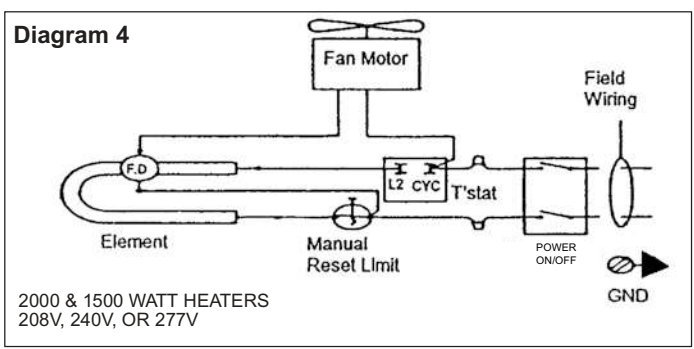
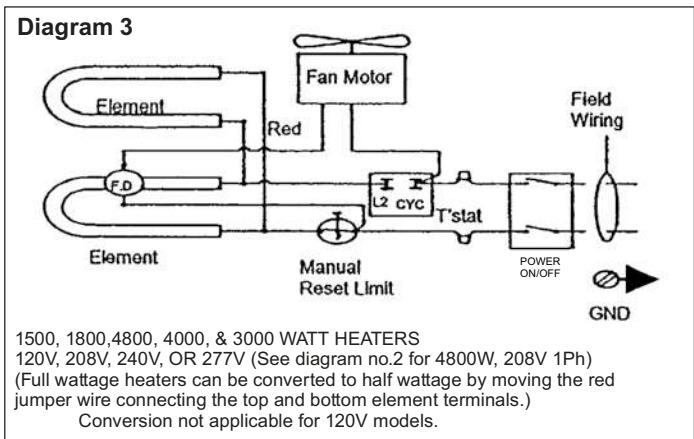
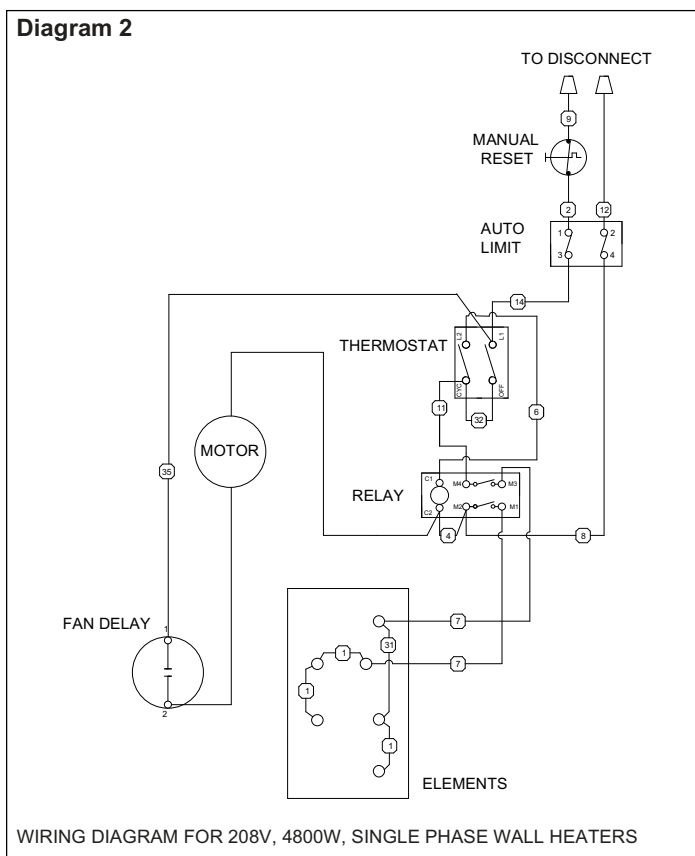
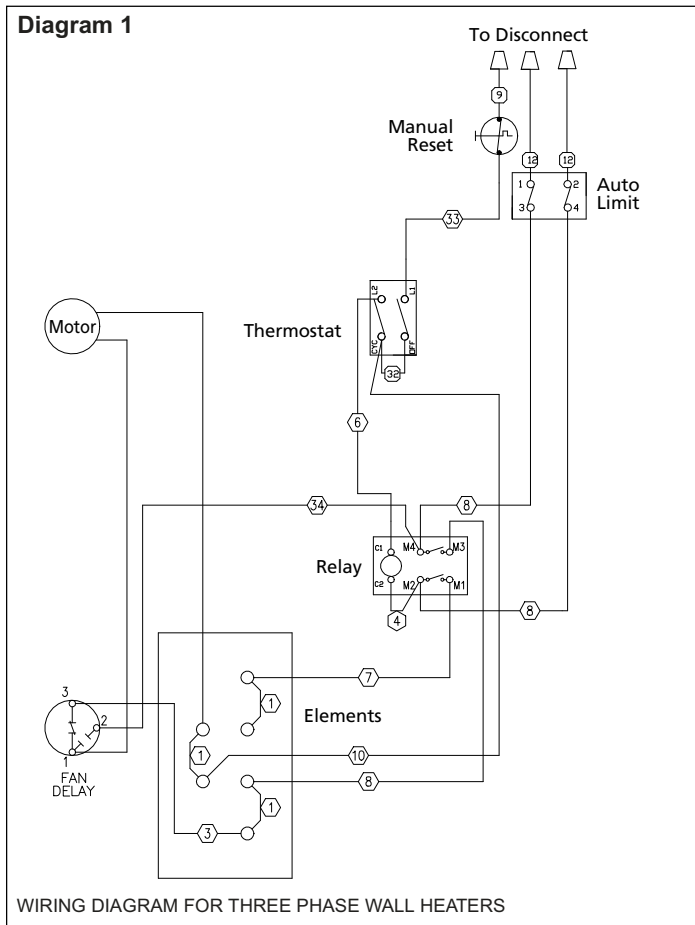
1. After the heater has cooled, a vacuum cleaner with brush attachment may be used to remove dust and lint from exterior surfaces of the heater including the grille openings.
2. With a damp cloth, wipe dust and lint from grille and exterior surfaces.
3. Return power to heater and check to make sure it is operating properly.

Maintenance Cleaning Instructions:

(To be performed only by Qualified Service Personnel)

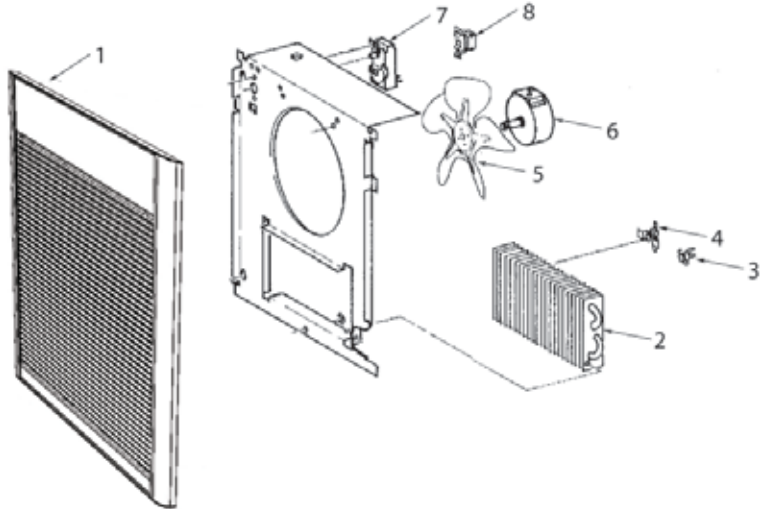
At least annually, the heater should be cleaned and serviced by a qualified service person to ensure safe and efficient operation. This should include the removal of the grille and as necessary, the heater from the back box, to clean residue from the unit. After completing the cleaning and servicing, the heater should be fully re-assembled and checked for proper operation.

Wiring Diagrams



Replacement Parts

Key No.	Description	Part Number
1	Grille Assembly : White Standard	1016-11225-001 1016-11225-000
2	Element, Single Phase: 208V; 4000W 208/240V; 3000/4000W 240/277V; 3000/4000W 277V; 3000W 208V; 4800W 208/240V; 3600/4800W 240/277V; 3600/4800W 120V; 1500W 120V; 1800W Element, 3-Phase: 208V; 4000W 208/240V; 3000/4000W 208V; 4800W 208/240V; 3600/4800W	302015807 302015808 302012809 302012806 1802-2075-801 302012810 302012811 302012827 302012828 1802-2075-800 1802-2075-802 1802-2075-801 1802-2075-803
3	Limit, Manual Reset	4520-2027-000
4	Fan Delay (WH4508FC) Fan Delay, 3 phase	410074000 4520-2024-000
5	Fan Blade	490030103
6	Motor:	277/240V 3900-2010-001 208/240V 3900-2010-000 120V 3900-2010-003
7	Thermostat	410168002 5813-2027-001 (WH4508, WH44083, WH45083, WH44043, WH45043)
8	Power ON/OFF	410170001
—	Relay	410101002
—	Thermo Protector (Auto-Limit)	4520-2048-000



LIMITED WARRANTY

All products manufactured by Marley Engineered Products are warranted against defects in workmanship and materials for one year from date of purchase, except heating elements which are warranted against defects in workmanship and materials for five years from date of purchase. This warranty does not apply to damage from accident, misuse, or alteration; nor where the connected voltage is more than 5% above the nameplate voltage; nor to equipment improperly installed or wired or maintained in violation of the product's installation instructions. This warranty does not apply to refurbished products. All claims for warranty work must be accompanied by proof of the date of purchase.

The customer shall be responsible for all costs incurred in the removal or reinstallation of products, including labor costs, and shipping costs incurred to return products. Within the limitations of this warranty, inoperative units should be returned to Marley Engineered Products, and we will repair or replace, at our option, at no charge to you with return freight paid by Marley. It is agreed that such repair or replacement is the exclusive remedy available from Marley Engineered Products.

THE ABOVE WARRANTIES ARE IN LIEU OF ALL OTHER WARRANTIES EXPRESSED OR IMPLIED, AND ALL IMPLIED WARRANTIES OF MERCHANTABILITY AND FITNESS FOR A PARTICULAR PURPOSE WHICH EXCEED THE AFORESAID EXPRESSED WARRANTIES ARE HEREBY DISCLAIMED AND EXCLUDED FROM THIS AGREEMENT. MARLEY ENGINEERED PRODUCTS SHALL NOT BE LIABLE FOR CONSEQUENTIAL DAMAGES ARISING WITH RESPECT TO THE PRODUCT, WHETHER BASED UPON NEGLIGENCE, TORT, STRICT LIABILITY, OR CONTRACT.

Some states do not allow the exclusion or limitation of incidental or consequential damages, so the above exclusion or limitation may not apply to you. This warranty gives you specific legal rights, and you may also have other rights which vary from state to state.

Contact Marley Engineered Products in Bennettsville, SC, at 1-800-642-4328. Merchandise returned to the factory must be accompanied by a return authorization and service identification tag, both available from Marley Engineered Products. When requesting return authorization, include all catalog numbers shown on the products.

HOW TO OBTAIN WARRANTY SERVICE AND WARRANTY PARTS PLUS GENERAL INFORMATION

1. Warranty Service or Parts **1-800-642-4328**
2. Purchase Replacement Parts **1-800-654-3545**
3. General Product Information **www.marleymep.com**

Note: When obtaining service always have the following:

1. Model number of the product
2. Date of manufacture
3. Part number or description



Marley®
Engineered Products

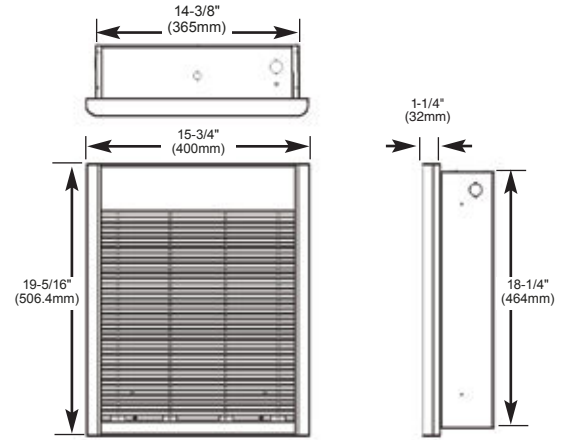
470 Beauty Spot Rd. East
Bennettsville, SC 29512 USA



Serie WH

Calentadores de pared arquitectónicos de servicio pesado

Para el uso con la FRC y Serie AWH calentadores



Instrucciones de instalación, operación y mantenimiento

Tabla 1. Especificaciones

Número de catálogo	Volts	Fases	Watts	Amperes	Cable alim. min.
WH3150FC	120	1	1500	12.5	12
WH3180FC	120	1	1800	15.0	12
WH4404FC*	240	1	4000/2000	16.7/8.3	10
	208		3000/1500	14.5/7.2	12
WH4407FC*	277	1	4000/2000/	14.5/7.2	12
	240		3000/1500	12.5/6.3	12
WH4307FC*	277	1	3000/1500	10.8/5.4	12
WH4408FC*	208	1	4000/2000	19.2/9.6	10
WH44083FC	208	3	4000	11.1	14
WH44043FC	240	3	4000	9.7	14

*NOTA: cableado en fábrica para la potencia (watts) más alta, convertible en el sitio a la potencia (watts) mitad.

Número de catálogo	Volts	Fases	Watts	Amperes	Cable alim. min.
WH4303FC	347	1	3000	8.6	14
WH4306FC	600	1	3000	5	14
WH4508FC	208	1	4800	23.1	10
WH4504FC	240	1	4800	20.0	10
	208		3600	17.3	
WH4507FC	277	1	4800	17.3	10
	240		3600	15.0	
WH45083FC	208	3	4800	13.3	12
WH45043FC	240	3	4800	11.6	14
WH4503FC	347	1	4800	13.8	12
WH4506FC	600	1	4800	8	14

*NOTA: cableado en fábrica para la potencia (watts) más alta, convertible en el sitio ala potencia (watts) mitad.

INSTRUCCIONES IMPORTANTES

ADVERTENCIA

AL UTILIZAR ARTEFACTOS ELÉCTRICOS, PARA REDUCIR EL RIESGO DE INCENDIO, CHOQUE ELÉCTRICO Y LESIONES PERSONALES DEBEN OBSERVARSE SIEMPRE ALGUNAS PRECAUCIONES BÁSICAS, COMO LAS SIGUIENTES:

1. Lea todas las instrucciones antes de instalar o utilizar este calefactor.
2. Cuando está en funcionamiento, el calefactor está muy caliente. Para evitar quemaduras, no deje que su piel haga contacto directo con las superficies calientes. Mantenga los materiales combustibles como muebles, almohadas, ropas de cama, papeles, ropas, cortinas, etc. a 0.9 m (3 pies) como mínimo del frente del calefactor.
3. Se necesita extremo cuidado al utilizar cualquier calefactor junto a o cerca de niños o inválidos, y en todo momento en que el calefactor quede funcionando y desatendido.
4. No opere ningún calefactor después de que haya tenido una falla de funcionamiento. Desconecte la alimentación eléctrica en el tablero de servicio y haga revisar el calefactor por un electricista calificado antes de usarlo.
5. No use el equipo en exteriores.
6. Para desconectar el calefactor, lleve los controles a la posición Apagado (OFF) y desconecte la alimentación del circuito del calefactor en el tablero de desconexión principal.
7. No inserte ni permita que entren objetos extraños en ninguna abertu-

tura de ventilación o de descarga, porque esto puede ser causa de choque eléctrico, incendio o daño al calefactor.

8. Para evitar un posible incendio, no bloquee de ningún modo la entrada ni la descarga de aire.
9. Un calefactor tiene en su interior piezas calientes, y piezas en donde se producen arcos o chispas. No lo utilice en áreas en las que se utilice o almacene gasolina, pintura o líquidos inflamables.
10. Utilice este calefactor únicamente de la manera descrita en este manual. Cualquier otra forma de uso no recomendada por el fabricante puede ser causa de incendio, choque eléctrico o daños personales.
11. Este calefactor está destinado a aplicaciones de calefacción ambiental, y no es para utilizar en ambientes especiales. No lo use en lugares húmedos o mojados como zonas marítimas o invernaderos, ni en áreas en las que estén presentes agentes químicos o corrosivos.
12. Al realizar la instalación, vea las advertencias y precauciones adicionales en las INSTRUCCIONES DE INSTALACIÓN.
13. Para asegurar una operación segura y eficiente, y para extender la vida útil de su calefactor, manténgalo limpio. Vea las INSTRUCCIONES DE MANTENIMIENTO.

GUARDE ESTAS INSTRUCCIONES

INSTRUCCIONES DE INSTALACIÓN

⚠ ADVERTENCIA ⚠

Para evitar un posible incendio, lesiones personales o daños al calefactor, observe lo siguiente:

1. Antes de proceder a tareas de conexión o de reparación del calefactor, desconecte toda la alimentación eléctrica que llega al mismo desde el tablero principal de servicio.
2. Todos los procedimientos de cableado y conexiones deben hacerse de conformidad con los códigos nacionales y locales que tengan jurisdicción, y el calefactor debe estar conectado a tierra.
3. Verifique que la tensión de alimentación provista al calefactor coincida con la tensión nominal indicada en la placa de características del mismo.

ATENCIÓN: SI SE ENERGIZA UN CALEFACTOR CON UNA TENSIÓN MAYOR QUE EL VALOR DE TENSIÓN IMPRESO EN LA PLACA DE CARACTERÍSTICAS, SE DAÑARÁ EL CALEFACTOR, SE ANULARÁ LA GARANTÍA, Y PODRÍA PRODUCIRSE UN INCENDIO.

4. **ATENCIÓN** - alta temperatura, riesgo de incendio. Mantenga los cables eléctricos, cortinados, muebles y otros elementos combustibles a 0.9 m (3 pies) como mínimo del frente del calefactor. No instale el calefactor detrás de puertas, debajo de toalleros, o en un área en la que esté sujeto a bloqueo por muebles, cortinas o materiales almacenados. El aire caliente que sale del calefactor puede dañar algunas telas y plásticos.
5. Para reducir el riesgo de incendio, no almacene ni use gasolina u otros vapores y líquidos inflamables en las cercanías del calefactor.
6. NO utilice con este calefactor un termostato remoto. El termostato incorporado conecta y desconecta (hace ciclar) el elemento calefactor únicamente. El control de retardo de ventilador enciende y apaga el ventilador automáticamente y proporciona además un apagado con retardo del ventilador, a fin de eliminar el calor residual después de que el termostato haya apagado los elementos calefactores. El conexión del calefactor de cualquier forma que anule la función de apagado con retardo del ventilador puede provocar sobrecalentamiento y daños permanentes al calefactor, y anulará la garantía.
7. Este calefactor está diseñado únicamente para montaje en la pared, con la descarga de aire hacia abajo. NO lo instale en el piso, en el cielorraso, de forma invertida (descarga de aire hacia arriba) ni sobre un costado.
8. Deben mantenerse las distancias mínimas que se indican a continuación:
 - Del fondo del calefactor al piso: 203 mm (8").
 - De los costados del calefactor a la pared adyacente: 203 mm (8").
 - Del extremo superior del calefactor al cielorraso: se recomienda al menos 915 mm (36").
9. No haga funcionar el calefactor sin haber instalado la rejilla.
10. Cuando está en funcionamiento, el calefactor está muy caliente. NO instale el calefactor detrás de una puerta, detrás de un toallero, dentro de un armario, en lugares en los que haya cortinados que puedan hacer contacto con el calefactor o sufrir daños por el calor, o allí donde la circulación de aire al calefactor pueda quedar obstruida. Mantenga los cordones eléctricos, ropas de cama, muebles y otros objetos, alejados del calefactor.

Instalación de la caja posterior en una construcción nueva

1. Montaje de la caja posterior (vea la Figura 1).
 - a. Coloque la caja posterior entre dos travesaños de la pared con una distancia entre centros de 406 mm (16"), a la altura de montaje deseada, pero a no menos de 203 mm (8") de una pared adyacente y del piso.

Nota: si los travesaños de la pared están espaciados más de 406 mm (16") entre centros, puede que se necesiten soportes de armazón adicionales.

- b. Alinee la caja posterior de modo que la cara inferior y los costados estén enrasados con la superficie de la pared terminada (el reborde superior de la caja posterior debe sobresalir aproximadamente 12.7 mm [1/2"] de la superficie de la pared terminada).
- c. Asegure la caja posterior en su posición con tornillos para madera o con clavos, como se muestra en la Figura 1.

2. Cableado de la fuente de alimentación (vea la Figura 1)

NOTA: Volumen del compartimiento de cables: 1950 cm³ (119 pulgadas cúbicas).

- a. Tienda un cable de alimentación eléctrica hacia el área de los prepunzonados, en el ángulo superior derecho de la caja posterior. Todo el cableado debe hacerse de acuerdo con los códigos eléctricos nacionales y locales. Vea los calibres correctos de cables en la Tabla 1 de la página 1.
- b. Retire el soporte del energía de ON/OFF, aflojando los dos tornillos del lado derecho.
- c. Instale una abrazadera para cables en el prepunzonado situado en la cara superior de la caja posterior.
- d. Inserte el cable de alimentación eléctrica a través de la abrazadera, dejando al menos 152 mm (6") de cables de conexión para su extensión dentro del alojamiento. Conecte los cables de conexión azules del energía de ON/OFF a los cables de alimentación, mediante conectores para cable (vea el diagrama de conexión de la Página 5).
- e. Conecte a tierra la caja posterior mediante el tornillo verde ubicado en el interior de la cara superior del alojamiento.
- f. Asegure el soporte del interruptor de desconexión en su sitio, apretando los tornillos.

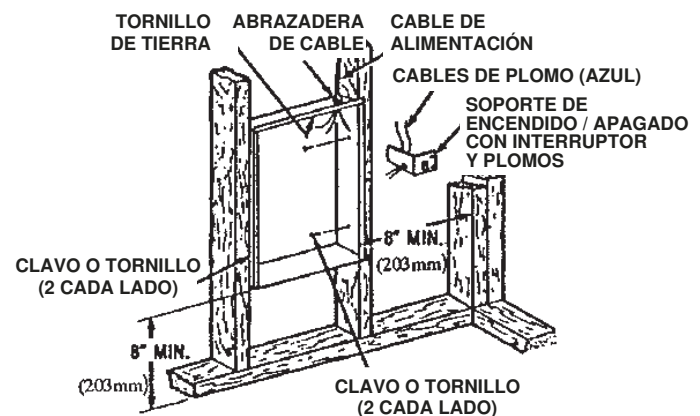


Fig. 1: Ubicación de la caja posterior en una construcción nueva

Instalación de la caja posterior empotrada en una construcción existente

1. Practique en la pared una abertura de 362 mm (14-1/2") de ancho por 470 mm (18-1/2") de alto, a la altura deseada para la instalación, pero a no menos de 203 mm (8") del piso. (Vea la Figura 2).

NOTA: elija la ubicación de modo que al menos un lado de la abertura coincida con un travesaño de la pared.

2. Cableado de la fuente de alimentación

NOTA: Volumen del compartimiento de cables: 1950 cm³ (119 pulgadas cúbicas).

- Tienda un cable de alimentación eléctrica hacia el área que está encima de la parte superior de la abertura de la pared. Todo el cableado debe hacerse de acuerdo con los códigos eléctricos nacionales y locales. Vea los calibres correctos de cables en la Tabla 1 de la página 1.
- Retire el soporte del interruptor de encendido / apagado, aflojando los dos tornillos del lado derecho.
- Instale una abrazadera para cables en el prepunzonado situado en la cara superior de la caja posterior.
- Inserte el cable de alimentación eléctrica a través de la abrazadera, dejando aproximadamente 152 mm (6") de longitud de cable dentro de la caja, para facilitar las conexiones.

3. Montaje de la caja posterior

- Coloque la caja posterior en la abertura de la pared, enrasada con la superficie de la pared terminada en la cara inferior y los costados de la caja. (El reborde superior de la caja posterior debe sobresalir aproximadamente 12.7 mm [1/2"] de la superficie de la pared terminada).
- Asegure la caja posterior en su posición con tornillos para madera o clavos.

4. Cableado energía de ON/OFF

- Conecte los cables de alimentación eléctrica a los cables azules del Interruptor de encendido/apagado, mediante conectores para cable (vea el diagrama de conexión de la Página 5).
- Conecte a tierra la caja posterior mediante el tornillo verde ubicado en el interior de la cara superior de la caja posterior.
- Asegure el soporte del energía de ON/OFF en su sitio, apretando los tornillos.

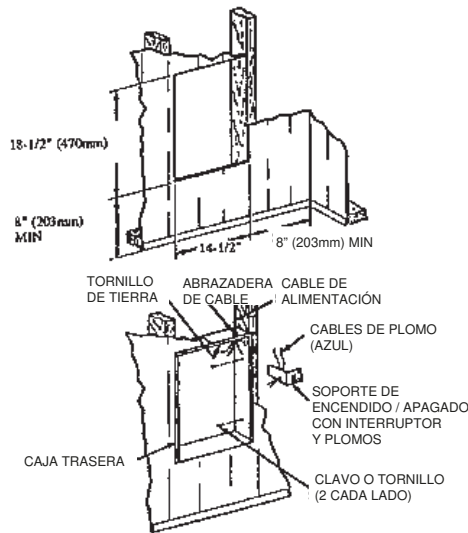


Fig. 2: Ubicación de la caja posterior en una construcción existente

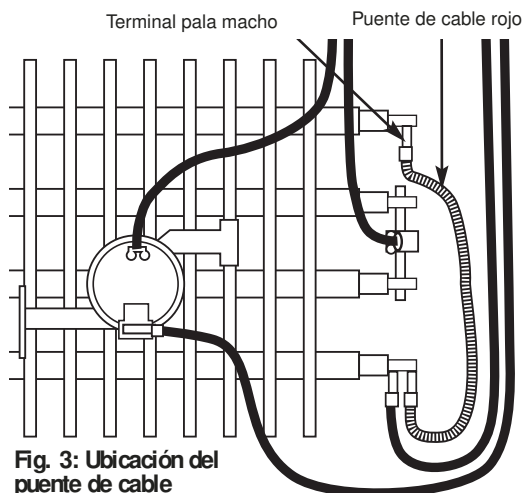


Fig. 3: Ubicación del puente de cable

Nota para el instalador: conversión del calefactor para potencia mitad (no aplicable a los modelos WH3150 y WH3180 de 120 V)

Los calefactores de pared serie WH son fabricados y enviados con la especificación de potencia (watts) más alta. Los calefactores de potencia (watts) plena pueden convertirse a potencia (watts) mitad por medio de los pasos siguientes.

- Quite el puente de cable rojo, como se muestra en la Figura 3, y deséchelo.
- Indique la potencia (watts) del calefactor en la etiqueta blanca en el interior de la caja posterior.

Instalación de la caja posterior con el bastidor de montaje superficial opcional AWHSM (vea la Figura 4)

- Asegure la caja posterior a la pared, con los prepunzonados en el ángulo superior derecho, mediante tornillos y anclajes.
- Ajuste el bastidor de montaje superficial en la caja posterior. Asegúrese de que el borde posterior del bastidor de montaje superficial esté enrasado contra la pared.

NOTA: si el calefactor está ubicado en un sitio de alto tráfico, en el que pueda estar sujeto a vandalismo o maltrato, tenga mucho cuidado de verificar que la caja esté firmemente fijada a la pared.

3. Cableado de la fuente de alimentación

NOTA: Volumen del compartimiento de cables: 1950 cm³ (119 pulgadas cúbicas).

- Tienda un cable de alimentación eléctrica hacia el área a la derecha del bastidor de montaje. La disposición del cableado hasta este punto debe hacerse de acuerdo con los códigos nacionales y locales. Vea los calibres correctos de cables en la Tabla 1 de la página 1.

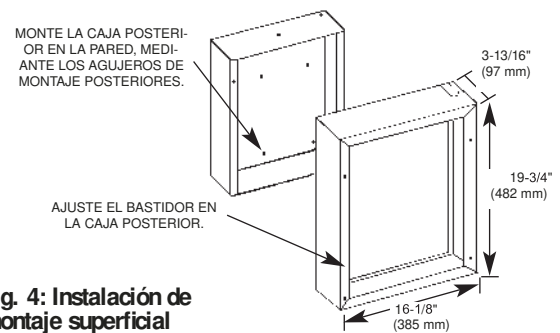


Fig. 4: Instalación de montaje superficial

NOTA: si el cableado debe pasar a través de la pared, corte un agujero en el área de la cara superior de la caja posterior. Pase el cable de alimentación eléctrica por este agujero. Luego extraiga el prepunzonado de la cara superior de la caja, y continúe con el paso C.

- Extraiga el prepunzonado de la cara superior del bastidor.
- Retire el soporte del energía de ON/OFF, aflojando los dos tornillos del lado derecho.
- Asegure el cable de alimentación eléctrica a la caja posterior (utilice una abrazadera para cables, conector u otro elemento adecuado de alivio de tensiones) dejando 152 mm (6") de cable dentro del alojamiento interior.
- Conecte los cables de alimentación a los cables azules del Interruptor de encendido/apagado mediante conectores para cable (vea el diagrama de conexión en la página 5).
- Conecte a tierra la caja posterior, conectando el conductor de tierra de la alimentación eléctrica al tornillo verde de puesta a tierra ubicado en el interior de la cara superior de la caja posterior.
- Asegure el soporte del interruptor de encendido / apagado en su lugar.

Instalación del conjunto del calefactor y de la rejilla

Una vez que la caja posterior esté completamente instalada y no deba producirse más suciedad de construcción, limpie los desperdicios de la caja posterior y extraiga el conjunto de calefactor de su caja. Luego consulte la Figura 5 y proceda de la siguiente manera:

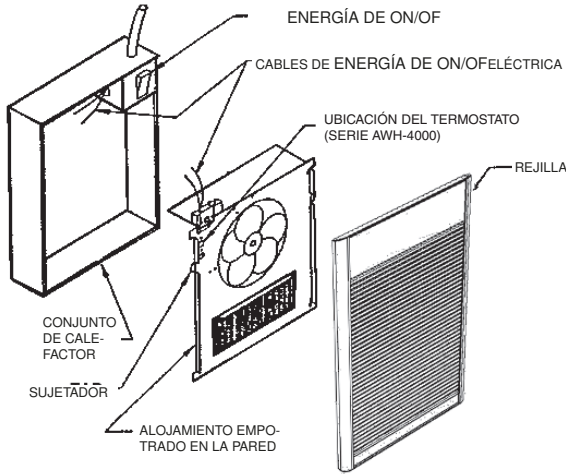


Fig. 5

1. Inserte el conjunto de calefactor en la caja posterior, colocando los cuatro agujeros de montaje (con ranuras tipo bocallave) sobre los tornillos de la caja. Apriete firmemente todos los tornillos.
2. Si se utiliza el bastidor de montaje superficial, antes de apretar los tornillos asegúrese de que el bastidor esté nivelado con las cuatro lengüetas del conjunto de calefactor.
3. Conecte los dos cables del interruptor de circuito a los cables de conexión del interruptor de control de temperatura (termostato) mediante tuercas de empalme de cables. Después de la conexión, empuje los cables nuevamente dentro de la abertura. (Diagrama aplicable en la página 5)
4. Lleve el termostato hasta su posición extrema en sentido antihorario.
5. Empuje el interruptor de encendido / apagado a la posición de encendido
6. El sujetador de la parte inferior del conjunto de calefactor debe estar en posición levantada.
7. Monte la rejilla sobre las lengüetas en la plataforma de ventilador, y presione hasta que la rejilla esté firmemente sujeta.
8. Inserte un destornillador a través de la abertura inferior de la rejilla y afloje el tornillo, a la vez que sostiene la parte inferior de la rejilla contra la pared. Esto permitirá que el sujetador caiga en su lugar. Ajuste el tornillo.

INSTRUCCIONES DE OPERACIÓN

1. El calefactor debe instalarse correctamente antes de ponerlo en funcionamiento.
2. Haga girar el termostato hasta su posición extrema en sentido horario. Esto debe energizar los elementos calefactores, y hacer que circule aire caliente desde la descarga de aire caliente de las aberturas situadas en la parte inferior de la rejilla.
3. Después de revisar la operación, haga girar el termostato hasta la posición deseada para obtener el confort deseado en la habitación.

NOTA: para obtener los mejores resultados, el calefactor debe permanecer constantemente en la posición Encendido ('ON') durante la temporada en que se necesite calefacción, ya que el termostato, siempre que esté correctamente ajustado, mantendrá la temperatura deseada.

REPOSICIÓN MANUAL DEL LÍMITE TÉRMICO:

Su calefactor está equipado con un límite térmico de seguridad de reposición manual que lo apagará automáticamente para impedir su sobrecalentamiento, que podría provocar un incendio. Este control está ubicado en el conjunto del panel del ventilador, entre el elemento calefactor y la paleta del ventilador, y está marcado con la palabra 'reposición' ('reset'). El botón rojo de reposición puede verse a través de la rejilla frontal, cuando se instala el calefactor. Para efectuar la reposición, espere a que el calefactor se enfríe y luego pulse el botón rojo que es visible a través de un agujero del panel del ventilador. El calefactor debe volver inmediatamente a su funcionamiento normal.

INSTRUCCIONES DE MANTENIMIENTO

Es importante mantener limpio este calefactor. Su calefactor le brindará muchos años de servicio y confort con sólo un mínimo de cuidado. Para asegurar un funcionamiento eficiente, observe las instrucciones simples que se indican a continuación.

⚠ ADVERTENCIA ⚠

TODO SERVICIO, MÁS ALLÁ DE UNA SIMPLE LIMPIEZA, QUE REQUIERA UN DESMONTAJE DEBE SER REALIZADO POR PERSONAL DE SERVICIO CALIFICADO.

⚠ ADVERTENCIA ⚠

PARA REDUCIR EL RIESGO DE INCENDIO Y DE CHOQUE ELÉCTRICO O LESIONES, DESCONECTE TODA LA ALIMENTACIÓN ELÉCTRICA QUE LLEGA AL CALEFACTOR EN EL TABLERO PRINCIPAL DE SERVICIO Y VERIFIQUE QUE EL ELEMENTO CALEFACTOR ESTÉ FRÍO ANTES DE PRESTAR SERVICIO O DE REALIZAR EL MANTENIMIENTO.

Instrucciones de limpieza para el usuario:

(Se realizará al menos una vez al año)

1. Después de que el calefactor se haya enfriado, puede utilizarse una aspiradora con accesorio de cepillo para eliminar el polvo y la pelusa de las superficies exteriores del calefactor, incluidas las aberturas de la rejilla.
2. Con un paño húmedo, elimine el polvo y la pelusa de la rejilla y las superficies exteriores.
3. Vuelva a conectar la alimentación eléctrica al calefactor y asegúrese de que funcione correctamente.

Instrucciones de limpieza de mantenimiento:

(a realizarse únicamente por personal de servicio calificado)

Al menos una vez por año, un técnico de servicio calificado debe limpiar y prestar servicio al calefactor para asegurar un funcionamiento seguro y eficiente. Esto debe incluir la extracción de la rejilla y, de ser necesario, la extracción del calefactor de la caja posterior para limpiar residuos en la unidad. Después de terminada la limpieza y servicio, el calefactor debe volver a montarse completamente y verificarse que funcione correctamente.

Diagramas de conexiona

Diagrama 1

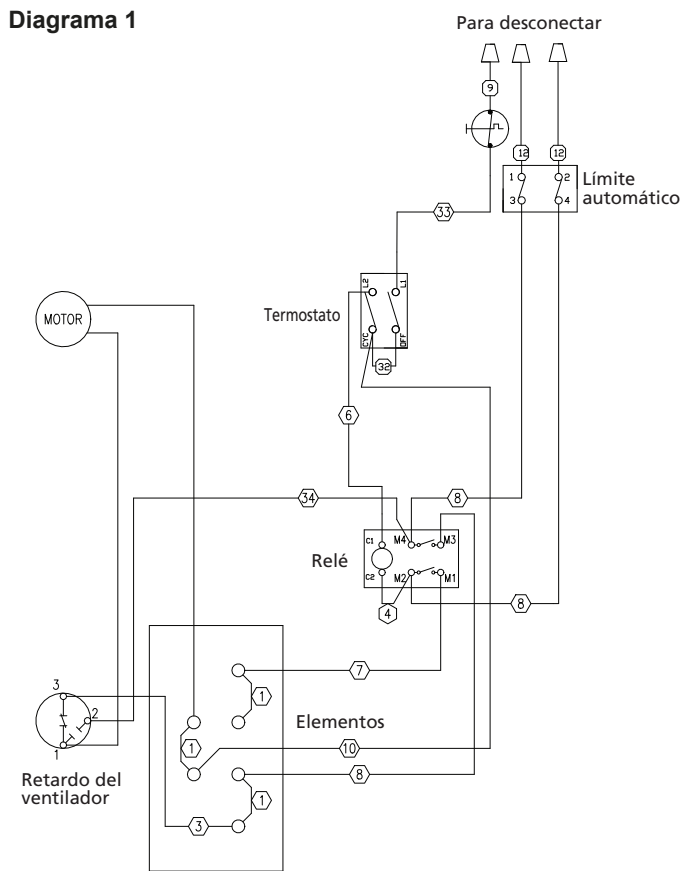


DIAGRAMA DE CABLEADO PARA CALENTADORES DE PARED TRIFÁSICOS

Diagrama 2

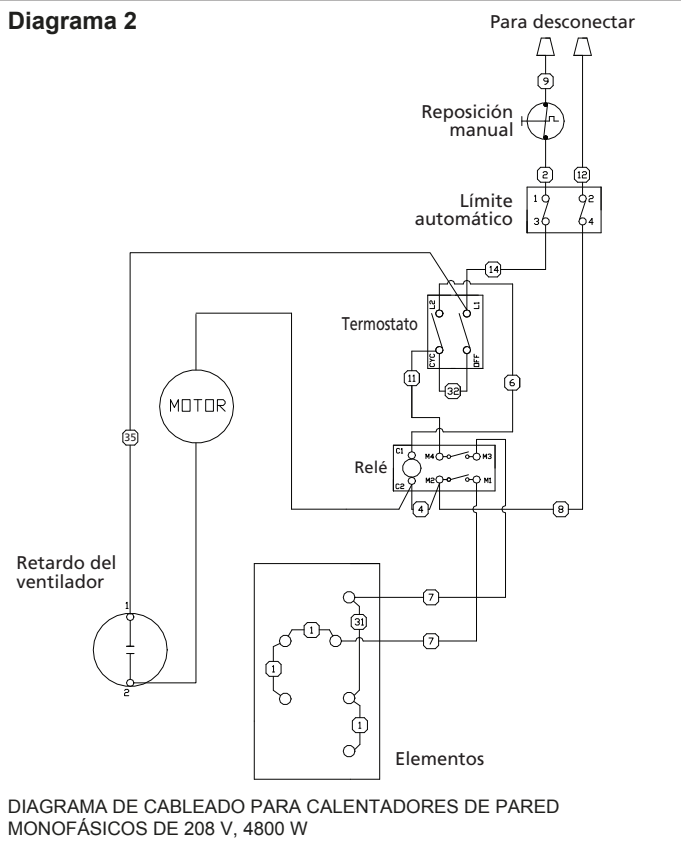
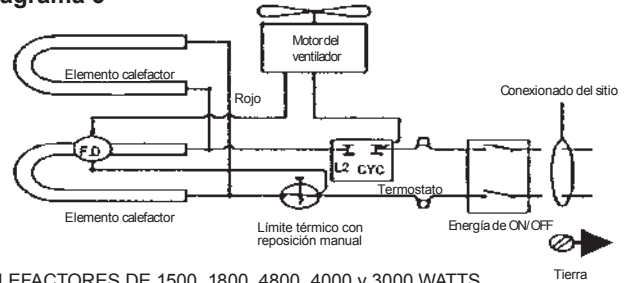


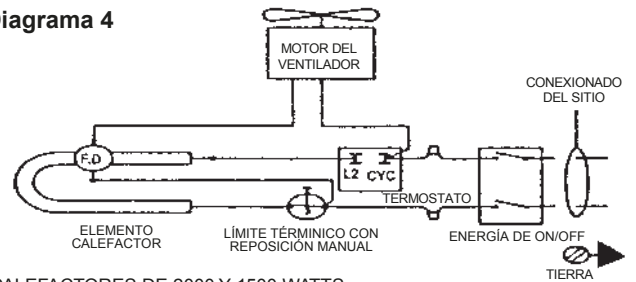
DIAGRAMA DE CABLEADO PARA CALENTADORES DE PARED MONOFÁSICOS DE 208 V, 4800 W

Diagrama 3



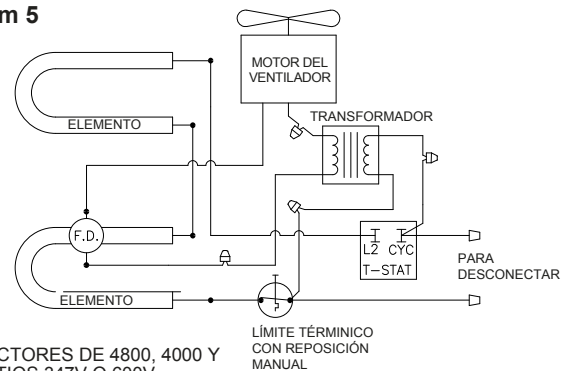
CALEFACTORES DE 1500, 1800, 4800, 4000 Y 3000 WATTS
120 V, 208 V, 240 V ó 277 V (vea el Diagrama 2 para equipo monofásico de 4800 W, 208 V) (Los calefactores de potencia [watts] plena pueden convertirse a potencia [watts] mitad quitando el puente de cable rojo que conecta los terminales de los elementos calefactores superior e inferior).
NOTA: la conversión no es aplicable a los modelos de 120 V.

Diagrama 4



CALEFACTORES DE 2000 Y 1500 WATTS
208 V, 240 V ó 277 V

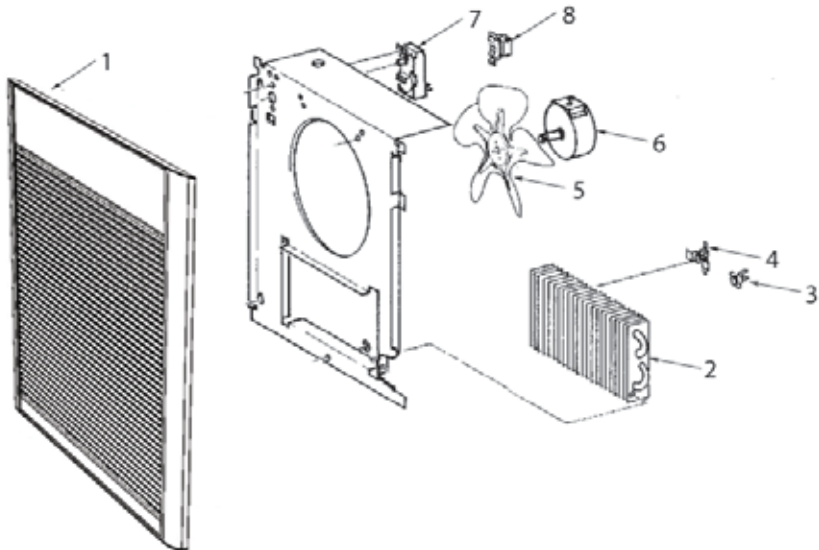
Diagram 5



CALEFACTORES DE 4800, 4000 Y 3000 VATIOS 347V O 600V

Piezas de repuesto

N° clave	Descripción	Número de pieza	
1	Conjuntode rejilla::Blanco	2501-2003-004	
	Estándar	2501-2003-007	
2	Elemento calefactor monofásico:		
	208V; 4000W	302015807	
	208/240V; 3000/4000W	302015808	
	240/277V; 3000/4000W	302012809	
	277V; 3000W	302012806	
	208V; 4800W	1802-2075-801	
	208/240V; 3600/4800W	302012810	
	240/277V; 3600/4800W	302012811	
	120V; 1500W	302012827	
	120V; 1800W	302012828	
	Elemento calefactor trifásico:		
	208V; 4000W	1802-2075-800	
	208/240V; 3000/4000W	1802-2075-802	
208V; 4800W	1802-2075-801		
208/240V; 3600/4800W	1802-2075-803		
3	Límite térmico con reposición manual	4520-2027-000	
4	Retardo de ventilador (WH4508FC)	410074000	
	Retardo de ventilador trifásico	4520-2024-000	
5	Paleta del ventilador	490030103	
6	Motor:		
	277/240V	3900-2010-001	
	208/240V	3900-2010-000	
7		120V	3900-2010-003
	Termostato		410168002
			5813-2027-001
			(WH4508, WH44083, WH45083, WH44043, WH45043)
8	Energía de ON/OF	410170001	
—	Relé	410101002	
—	Protector térmico (Límite automático)	4520-2048-000	



GARANTÍA LIMITADA

Todos los productos fabricados por Marley Engineered Products tienen garantía contra defectos de fabricación y materiales por un año a partir de la fecha de compra, excepto los elementos calefactores que están garantizados contra defectos de mano de obra y materiales durante cinco años a partir de la fecha de compra. Esta garantía no se aplica a los daños causados por accidente, uso incorrecto o alteración, tensión conectada superior al 5% de la especificada en la placa de datos o instalación, cableado o mantenimiento incorrecto del equipo en violación de las instrucciones de instalación. Esta garantía no se aplica a los productos reacondicionados. Todos los reclamos de garantía deben estar acompañados por un comprobante de la fecha de compra.

El cliente se hará cargo de todos los costos incurridos para la desinstalación o reinstalación de los productos, incluida la mano de obra y los costos de envío de los productos devueltos. Dentro de las limitaciones de esta garantía, las unidades que no funcionan deben ser devueltas a Marley Engineered Products para que las reparamos o cambiemos, a nuestra entera discreción, sin costo alguno para el cliente y con el flete a cargo de Marley. Se conviene que dicha reparación o cambio es el único resarcimiento que ofrece Marley Engineered Products.

ESTAS GARANTÍAS REEMPLAZAN A CUALQUIER OTRA GARANTÍA EXPLÍCITA O IMPLÍCITA, Y TODA GARANTÍA IMPLÍCITA DE COMERCIABILIDAD Y APTITUD PARA UN FIN DETERMINADO QUE EXCEDA LAS GARANTÍAS EXPLÍCITAS MENCIONADAS ARRIBA QUEDARÁ EXCLUIDA DEL PRESENTE ACUERDO. MARLEY ENGINEERED PRODUCTS NO SERÁ RESPONSABLE POR LOS DAÑOS EMERGENTES QUE SURJAN CON RESPECTO AL PRODUCTO, YA SEA BASÁNDOSE NEGLIGENCIA, RESPONSABILIDAD CIVIL, RESPONSABILIDAD OBJETIVA O CONTRATO.

Algunos estados no permiten la exclusión o limitación de los daños incidentales o emergentes, por lo que es posible que la exclusión o limitación mencionada arriba no se aplique en su caso. Esta garantía le otorga derechos legales específicos, pero usted podría tener otros derechos adicionales dependiendo del estado.

Los productos devueltos a la fábrica deben estar acompañados por una autorización de devolución y un rótulo de identificación de reparación, que deben ser proporcionados por Marley Engineered Products. Al solicitar una autorización de devolución, incluya todos los números de catálogo que se muestran en los productos.

HOW TO OBTAIN WARRANTY SERVICE AND WARRANTY PARTS PLUS GENERAL INFORMATION

- Servicio o repuestos en garantía **1-800-642-4328**
- Compra de repuestos **1-800-654-3545**
- Información general sobre productos **www.marleymep.com**

Nota: cuando solicite servicio, siempre dé la información que sigue:

- Número de modelo del producto
- Fecha de fabricación
- Número de parte o descripción



Marley®
Engineered Products

470 Beauty Spot Rd. East
Bennettsville, SC 29512 USA



Marley®
Engineered Products

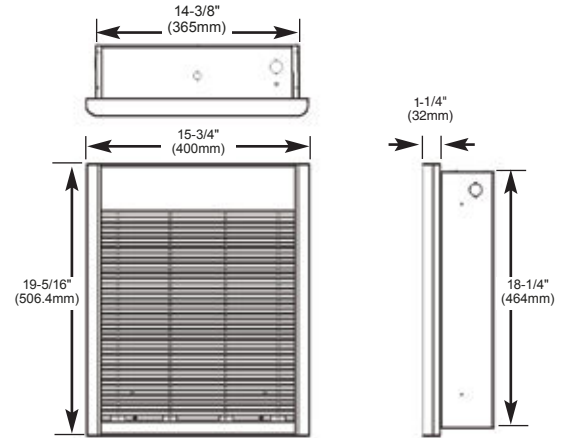
Série WH

Radiateurs muraux robustes architecturaux

Pour une utilisation avec FRA et AWH série de radiateurs muraux Architectural



Conforms to
ANSI/UL 2021 and
CSA C22.2 No. 46



Instructions d'installation, d'utilisation et d'entretien

Tableau 1 - Spécifications

N° du catalogue	Volts	Phase	Watts	Ampères	Dim de fil mini
WH3150FC	120	1	1500	12.5	12
WH3180FC	120	1	1800	15.0	12
WH4404FC*	240	1	4000/2000	16.7/8.3	10
	208		3000/1500	14.5/7.2	12
WH4407FC*	277	1	4000/2000/	14.5/7.2	12
	240		3000/1500	12.5/6.3	12
WH4307FC*	277	1	3000/1500	10.8/5.4	12
WH4408FC*	208	1	4000/2000	19.2/9.6	10
WH44083FC	208	3	4000	11.1	14
WH44043FC	240	3	4000	9.7	14

*REMARQUE : Câblage en usine pour une puissance plus élevée (watts), convertible sur site en demi-puissance.

N° du catalogue	Volts	Phase	Watts	Ampères	Dim de fil mini
WH4303FC	347	1	3000	8.6	14
WH4306FC	600	1	3000	5	14
WH4508FC	208	1	4800	23.1	10
WH4504FC	240	1	4800	20.0	10
	208		3600	17.3	
WH4507FC	277	1	4800	17.3	10
	240		3600	15.0	
WH45083FC	208	3	4800	13.3	12
WH45043FC	240	3	4800	11.6	14
WH4503FC	347	1	4800	13.8	12
WH4506FC	600	1	4800	8	14

*REMARQUE : Câblage en usine pour une puissance plus élevée (watts), convertible sur site en demi-puissance.

INSTRUCTIONS IMPORTANTES

AVERTISSEMENT

LORS DE L'UTILISATION D'APPAREILS ÉLECTRIQUES, DES PRÉCAUTIONS DE BASE DOIVENT TOUJOURS ÊTRE SUIVIES AFIN DE RÉDUIRE LE RISQUE DE DÉPART D'INCENDIE, DE COMMOTION ÉLECTRIQUE ET DE BLESSURES AUX PERSONNES, INCLUANT CELLES QUI SUIVENT :

1. Lisez toutes les instructions avant d'installer ou d'utiliser le radiateur.
2. Ce radiateur est chaud quand il est en fonctionnement. Pour éviter des brûlures, ne laissez pas de peau nue toucher ses surfaces chaudes. Maintenez les matières combustibles comme le mobilier, les oreillers, la literie, les papiers, les vêtements et les couvertures, à au moins 3 pieds (90 cm) de distance de l'avant du radiateur.
3. Il faut faire très attention quand un radiateur quelconque est utilisé par des enfants ou des personnes invalides ou près d'eux, et à chaque fois que le radiateur est laissé en marche sans surveillance.
4. N'utilisez plus un radiateur s'il a présenté des dysfonctionnements. Débranchez son alimentation au panneau de distribution du secteur et faites-le inspecter par un bon électricien avant de le réutiliser.
5. Ne l'utilisez pas à l'extérieur.
6. Pour déconnecter le radiateur, passez sa commande sur arrêt (Off) et coupez le secteur en amont au panneau de distribution.
7. N'insérez pas d'objets étrangers, et ne permettez pas qu'il en entre, dans toute ouverture d'admission ou d'évacuation, car cela peut

causer une commotion électrique ou un départ d'incendie, ou endommager le radiateur.

8. Pour éviter un possible départ d'incendie, n'obstruez en aucune façon les admissions et les échappements d'air.
9. Un radiateur comporte à l'intérieur des parties chaudes, et pouvant produire un arc ou des étincelles électriques. Ne l'utilisez pas dans des zones où de l'essence ou des liquides inflammables sont utilisés ou entreposés.
10. N'utilisez ce radiateur que comme c'est décrit dans ce manuel. Toute autre utilisation non recommandée par le constructeur peut causer un départ d'incendie, une commotion électrique ou des blessures corporelles.
11. Ce radiateur est prévu pour des applications de chauffage de confort, et n'est pas conçu pour une utilisation dans des endroits spéciaux. Ne l'utilisez pas dans des lieux humides ou mouillés, tels que dans un contexte marin ou une serre, ou dans des endroits où il y a présence d'agents corrosifs ou chimiques.
12. Lors de l'installation, voyez les INSTRUCTIONS D'INSTALLATION pour des mises en gardes et précautions supplémentaires.
13. Pour un fonctionnement sûr et efficace, et pour prolonger sa durée de service, gardez votre radiateur propre – Voyez les INSTRUCTIONS D'ENTRETIEN.

CONSERVEZ CES INSTRUCTIONS

INSTRUCTIONS D'INSTALLATION

⚠ AVERTISSEMENT ⚠

Pour éviter un possible départ d'incendie, des blessures corporelles ou des dommages au radiateur, respectez ces consignes :

1. Débranchez toute alimentation secteur arrivant au panneau de service principal avant de câbler ou d'intervenir pour du service.
2. Toutes les procédures de câblage et les raccordements doivent être en conformité avec les normes nationales et locales applicables, et le radiateur doit être relié à la terre.
3. Vérifiez que la tension du secteur arrivant au radiateur correspond bien aux valeurs spécifiées sur sa plaque signalétique.

ATTENTION: ALIMENTER LE RADIATEUR AVEC UNE TENSION DÉPASSANT LA VALEUR IMPRIMÉE SUR LA PLAQUE SIGNALÉTIQUE ENDOMMAGERA LE RADIATEUR ET ANNULERA SA GARANTIE, ET CELA PEUT PROVOQUER UN DÉPART D'INCENDIE.

4. **ATTENTION** - Température élevée et risque de départ d'incendie, gardez les cordons électriques, les draperies et textiles d'intérieur, et d'autres matières combustibles, à au moins 3 pieds (90 cm) de l'avant du radiateur. N'installez pas le radiateur derrière des portes, sous des porte-serviettes ou dans une zone où il est susceptible d'être bloqué par des meubles, des rideaux ou des matériaux de rangement. L'air chaud venant du radiateur peut endommager certains tissus et plastiques.
5. Pour réduire le risque de départ d'incendie, n'entreposez pas et n'utilisez pas d'essence ou d'autres produits inflammables sous forme de liquide ou de vapeurs à proximité du radiateur.
6. N'utilisez PAS un thermostat à distance avec ce radiateur. Le thermostat intégré active seulement l'élément de chauffe. Une temporisation de ventilation active/désactive automatiquement le ventilateur, et permet un retard à la coupure pour éliminer la chaleur résiduelle une fois que le thermostat a désactivé le chauffage. Un câblage du radiateur d'une quelconque manière qui empêcherait ce retard à la coupure de ventilation peut entraîner une surchauffe et des dommages permanents au radiateur, et annulerait sa garantie.
7. L'appareil est prévu pour un montage mural uniquement, avec l'évacuation de l'air vers le bas. NE l'installez PAS au sol, au plafond, à l'envers (évacuation d'air vers le haut) ou sur un côté.
8. Les écartements suivants doivent être respectés :
 - Du bas du radiateur au plancher - 8" (203 mm).
 - Des côtés du radiateur à un mur adjacent - 8" (203 mm).
 - Haut du radiateur au plafond - 12" (305 mm) – recommandation d'au moins 36" (914 mm).
9. Ne faites pas fonctionner le chauffage sans que sa grille soit en place.
10. Ce radiateur est chaud quand il est en fonctionnement. N'installez PAS le radiateur derrière une porte ou un porte-serviette, dans un placard, à un endroit où des tentures pourraient le toucher ou être endommagées par la chaleur, ou bien à un endroit où il pourrait être obstrué. Maintenez les cordons électriques, la literie, le mobilier et les autres objets à distance du radiateur.

Positionnement du boîtier arrière dans une construction neuve

1. Montage du boîtier arrière (Voir la Figure 1).
 - a. Placez le boîtier arrière entre deux poteaux muraux adjacents avec un entraxe de 16" (406 mm), à la hauteur de montage voulue, mais pas plus près de 8" (203 mm) du sol ou d'un mur adjacent.
 - b. Alignez le boîtier arrière de façon à ce que son bas et ses côtés soient de niveau avec la surface de la finition murale (le rebord supérieur du boîtier arrière doit dépasser d'environ 1/2" (12,7 mm) de cette surface).
 - c. Fixez le boîtier arrière en place avec des vis à bois ou des clous comme c'est montré en Figure 1.
2. Câblage de l'alimentation électrique (Voir la Figure 1).

Remarque: Si les poteaux muraux sont espacés avec un entraxe de plus de 16", des supports d'encadrement supplémentaires peuvent être nécessaires.

REMARQUE: Volume du compartiment de câblage : 119 po.³ (1 950 cm³).

- a. Tirez un câble secteur dans la zone dans la pastille défoncée à l'angle supérieur droit du boîtier arrière. Tout le câblage doit être réalisé en conformité avec les normes électriques nationales et locales. Référez-vous au Tableau 1 en page 1 pour les bons calibres de fils.
- b. Enlevez le support puissance ON/OFF de coupure en desserrant deux vis sur le côté droit.
- c. Installez un serre-câble dans l'entrée défoncée en haut du boîtier arrière.
- d. Passez le câble secteur au travers du serre-câble, en laissant au moins 6" (152 mm) de fils dépasser à l'intérieur du boîtier arrière. Branchez les fils bleus de câblage de puissance ON/OFF de coupure sur les fils d'arrivée du secteur en utilisant des connecteurs de fils (Voyez les schémas de câblage en page 5).
- e. Branchez le fil de terre du bâtiment sur le boîtier arrière en utilisant la vis verte située en haut à l'intérieur du boîtier arrière.
- f. Fixez en place puissance ON/OFF de coupure en serrant ses vis.

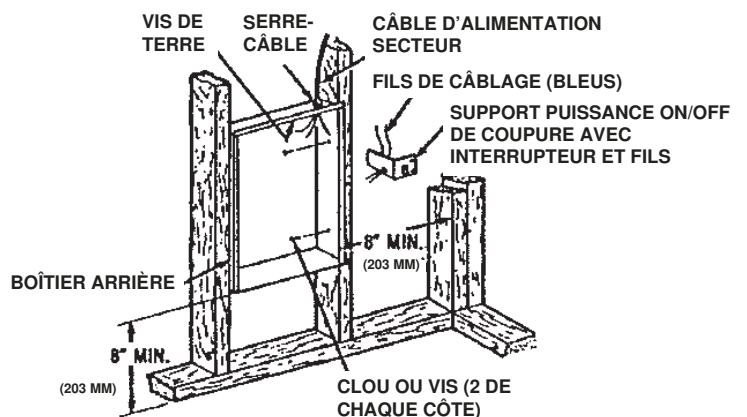


Fig. 1: Positionnement du boîtier arrière dans une construction neuve

Installation de boîtier arrière encastré dans une construction existante

1. Préparez une ouverture murale de 14-1/2" (362 mm) de large sur 18-1/2" (470 mm) de haut à la hauteur de montage voulue, mais pas plus près que 8" (203 mm) du sol (Voyez la Figure 2).

REMARQUE: Positionnez l'ouverture pour qu'un de ses côtés soit le long d'un poteau mural.

2. Câblage de l'alimentation secteur

REMARQUE: Volume du compartiment de câblage : 119 po.³ (1 950 cm³).

- a. Tirez un câble d'alimentation secteur dans la zone au-dessus du haut de l'ouverture murale. Tout le câblage doit être réalisé en conformité avec les normes électriques nationales et locales. Référez-vous au Tableau 1 en page 1 pour les bons calibres de fils.
- b. Retirez le support de l'interrupteur Marche / Arrêt en desserrant les deux vis sur le côté droit.
- c. Installez un serre-câble dans l'entrée défoncée en haut du boîtier arrière.
- d. Passez le câble secteur au travers du serre-câble, en laissant au moins 6" (152 mm) de fils dépasser à l'intérieur du boîtier arrière pour faciliter les raccordements.

3. Montage du boîtier arrière

- a. Placez le boîtier arrière dans l'ouverture du mur au niveau de la surface murale en bas et sur les côtés du boîtier (Le rebord supérieur du boîtier arrière peut dépasser d'environ 1/2" ou 12,7 mm de la surface de finition murale).
- b. Fixez le boîtier arrière en place avec des vis à bois ou des clous.

4. Câblage de puissance ON/OFF de coupure

- a. Branchez les fils d'alimentation secteur sur les fils bleus de l'interrupteur Marche / Arrêt à l'aide de connecteurs de fils (Voyez les schémas de câblage en page 5).
- b. Branchez le fil de terre du bâtiment sur le boîtier arrière en utilisant la vis verte située en haut à l'intérieur du boîtier arrière.
- c. Fixez en place puissance ON/OFF de coupure en serrant ses vis.

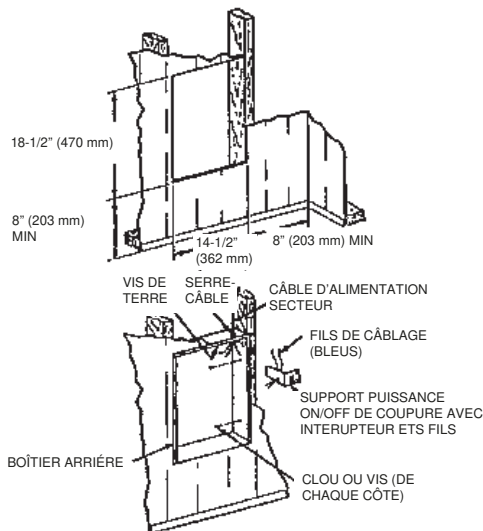


Fig. 2: Positionnement du boîtier arrière dans une construction existante

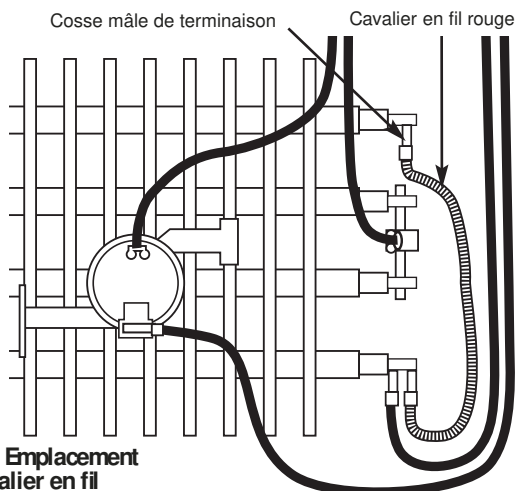


Fig. 3: Emplacement du cavalier en fil

Note pour l'installateur : Conversion du radiateur à demi-puissance (Non applicable avec les modèles en 120 V, WH3150 et WH3180).

Les radiateurs muraux de la série WH sont construits et livrés configurés pour la pleine puissance de sortie. Ces radiateurs à pleine puissance peuvent être ramenés à demi-puissance en suivant ces étapes :

1. Enlevez le cavalier en fil rouge comme c'est montré en Figure 3 et jetez-le.
2. Marquez la puissance en watts du radiateur sur l'étiquette blanche à l'intérieur du boîtier arrière.

Installation du boîtier arrière avec l'encadrement de montage sur surface (Voir la Figure 4)

1. Fixez le boîtier arrière sur le mur (avec les pastilles à enfoncer dans l'angle supérieur droit) en utilisant des vis et des chevilles.
2. Suspendez l'encadrement de montage en surface sur le boîtier arrière. Assurez-vous que le bord arrière de l'encadrement de montage en surface arrive juste sur le mur.

REMARQUE: Si le radiateur est situé dans une zone à fort trafic, où il peut subir du vandalisme ou des abus, vérifiez bien que le boîtier est fixé très fermement au mur.

3. Câblage de l'alimentation secteur

REMARQUE: Volume du compartiment de câblage : 119 po.³ (1 950 cm³).

- a. Tirez un câble d'alimentation secteur dans la zone au-dessus du haut de l'encadrement de montage. La disposition du câblage à ce point doit être en conformité avec les normes nationales et locales. Référez-vous au Tableau 1 en page 1 pour les bons calibres de fils.

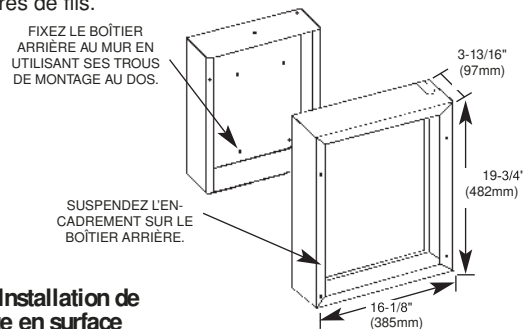


Fig. 4: Installation de montage en surface

REMARQUE: Si le câblage doit passer au travers du mur, percez un trou dans le mur dans la zone du haut du boîtier arrière. Passez le câble d'alimentation secteur au travers de ce trou. Puis enfoncez la pastille en haut du boîtier, et passez à l'étape C.

- b. Enfoncez la pastille sur le côté du dessus de l'encadrement.
- c. Enlevez le support d'interrupteur de coupure en desserrant deux vis sur le côté droit.
- d. Fixez ce câble sur le boîtier arrière (en utilisant passe-fils, connecteur, ou autre attache convenable) en laissant au moins 6" (152mm) de fils dépasser à l'intérieur du boîtier arrière.
- e. Connectez les fils d'alimentation aux fils bleus du commutateur ON / OFF à l'aide de connecteurs de câblage fils d'arrivée du secteur en utilisant des connecteurs de fils (Voyez le schéma de câblage de la page 5).
- f. Branchez le fil de terre du bâtiment sur le boîtier arrière en utilisant la vis verte située en haut à l'intérieur du boîtier arrière.
- g. Interrupteur Marche / Arrêt sécurisé support du dispositif de coupure en place.

Installation de l'ensemble de radiateur et de la grille

Une fois que le boîtier arrière est complètement installé et qu'aucune salissure due à la construction n'est à craindre, nettoyez les débris du boîtier arrière et sortez l'ensemble de radiateur de son carton d'emballage. Puis référez-vous à la Figure 5 et procédez comme suit :

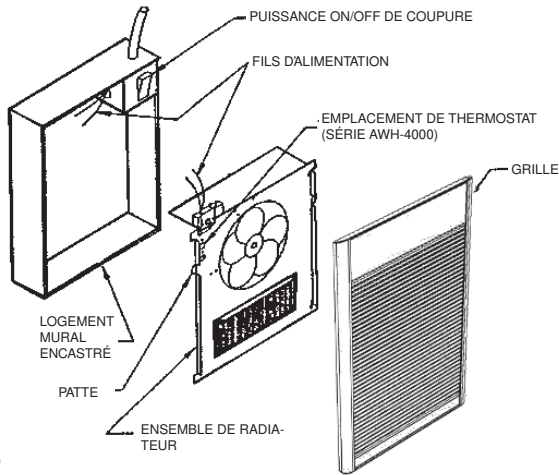


Fig. 5

1. Insérez l'ensemble de radiateur dans le boîtier arrière, en plaçant ses quatre trous de montage (avec fente en trou de serrure) par-dessus les vis dans le boîtier arrière. Serrez bien ces vis.
2. Si un encadrement pour montage en surface est utilisé, assurez-vous qu'il est bien de niveau avec les quatre pattes de l'ensemble de radiateur avant de serrer les vis.
3. Connectez les deux fils de l'interrupteur ON / OFF aux fils du circuit de contrôle de la chaleur à l'aide d'écrous. Après la connexion repoussez les fils dans l'ouverture. (Schéma applicable à la p. 5)
4. Tournez le thermostat complètement en sens antihoraire.
5. Poussez l'interrupteur Marche / Arrêt en position ON.
6. Le verrou en bas de l'ensemble de radiateur doit être en position levée.
7. Montez la grille sur les pattes de plate-forme de ventilateur et poussez vers le bas jusqu'à ce que la grille soit bien en place.
8. Insérez un tournevis au travers du volet du bas de la grille et desserrez la vis tout en maintenant le bas de grille contre le mur. Cela va permettre au verrou de descendre en place. Resserrez la vis

INSTRUCTIONS D'UTILISATION

1. Le radiateur doit être correctement installé avant d'être mis en marche.
2. Tournez le bouton du thermostat complètement en sens horaire. Cela doit activer les éléments de chauffe et le ventilateur, faisant que de l'air tiède circule de la sortie d'air chaud aux ouvertures du bas de grille.
3. Après le contrôle de fonctionnement, ramenez le bouton de thermostat à la position voulue pour obtenir une température ambiante confortable.

REMARQUE: Pour obtenir les meilleurs résultats, le radiateur doit rester en marche (ON) en permanence durant la saison de chauffage, du fait que le thermostat quand il est bien réglé maintiendra la température désirée.

RESTAURATION MANUELLE DU DÉPASSEMENT DE LIMITE :

Votre radiateur est équipé d'un dispositif de protection, réenclenchable manuellement, qui coupe automatiquement le radiateur pour éviter un départ d'incendie en cas de surchauffe. Ce contrôle est situé sur l'ensemble de panneau de ventilateur entre l'élément et la pale de ventilateur, et marqué "RESET". Le bouton rouge de restauration peut être vu au travers de la grille frontale quand le radiateur est installé. Pour restaurer, laissez le radiateur refroidir, puis appuyez sur le bouton rouge qui est visible au travers du trou dans le panneau de ventilateur. Le radiateur doit immédiatement revenir en fonctionnement normal.

INSTRUCTIONS D'ENTRETIEN

Il est important de garder propre le radiateur. Votre radiateur vous fournira des années de bon service et de confort avec juste un minimum de soins. Pour assurer son fonctionnement efficace, suivez les instructions simples ci-dessous :

⚠ AVERTISSEMENT ⚠

TOUTE INTERVENTION DE SERVICE AU-DELÀ D'UN SIMPLE NETTOYAGE, QUI NÉCESSITE UN DÉMONTAGE, DEVRA ÊTRE RÉALISÉE PAR DU PERSONNEL DE SERVICE QUALIFIÉ.

⚠ AVERTISSEMENT ⚠

POUR RÉDUIRE LE RISQUE DE DÉPART D'INCENDIE ET DE COMMOTION ÉLECTRIQUE OU DE BLESSURE, DÉBRANCHEZ TOUTE ALIMENTATION ÉLECTRIQUE ALLANT AU RADIATEUR EN AMONT AU PANNEAU DE SERVICE, ET VÉRIFIEZ QUE L'ÉLÉMENT DE CHAUFFE EST FROID AVANT D'INTERVENIR POUR DU SERVICE OU DE L'ENTRETIEN.

Instructions de nettoyage par l'utilisateur:

(A réaliser au moins une fois par an)

1. Une fois que le radiateur est froid, vous pouvez utiliser un aspirateur avec son accessoire brosse pour éliminer la poussière et les peluches des surfaces extérieures du radiateur, y compris les ouvertures de la grille.
2. Avec un chiffon humide, enlevez la poussière et la peluche de la grille et des surfaces extérieures.
3. Remettez le radiateur sous tension et vérifiez son bon fonctionnement.

Instructions de nettoyage d'entretien:

(Ne doit être exécuté que par du personnel de service qualifié)

Au moins une fois par an le radiateur doit être nettoyé et vérifié par une personne de service qualifiée afin d'assurer un fonctionnement sûr et efficace. Cela doit inclure la dépose de la grille et si nécessaire la sortie du radiateur du boîtier arrière, afin de nettoyer les résidus de l'appareil. Une fois le nettoyage et le service terminés, le radiateur doit être complètement remonté et son bon fonctionnement vérifié.

Schémas de câblage

Schéma 1

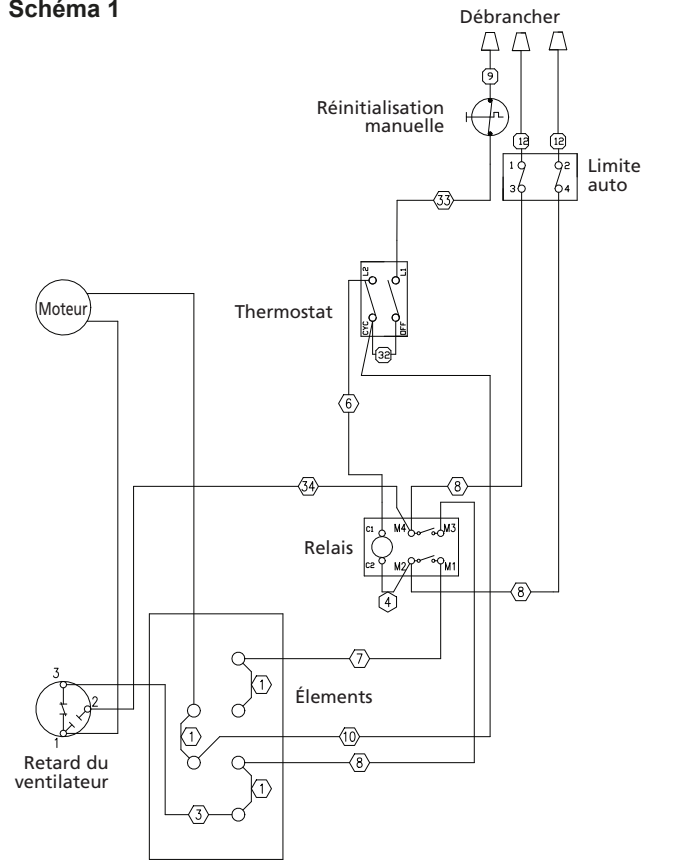


SCHÉMA DE CÂBLAGE POUR APPAREILS DE CHAUFFAGE MURAL TRIPHASÉS

Schéma 2

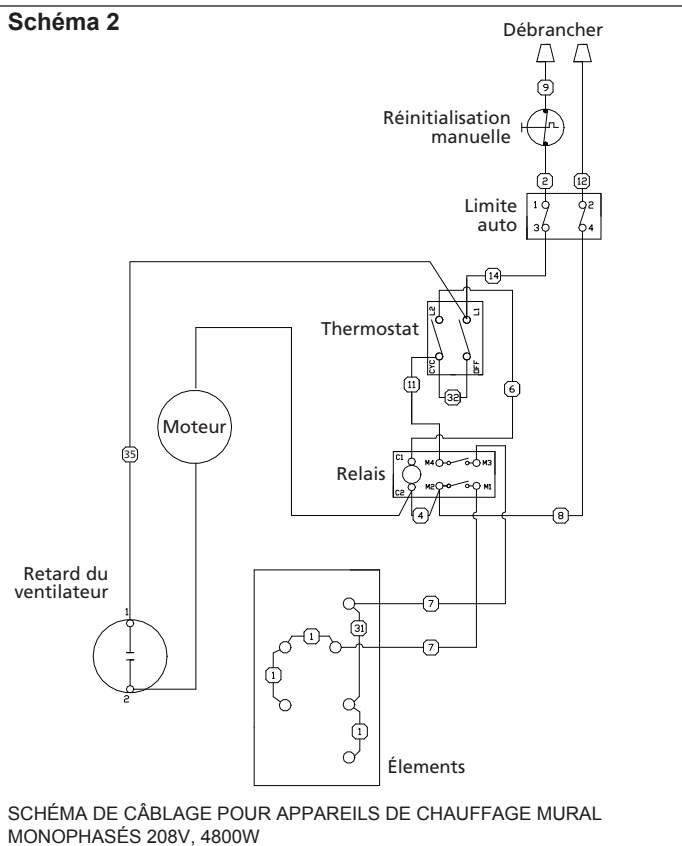
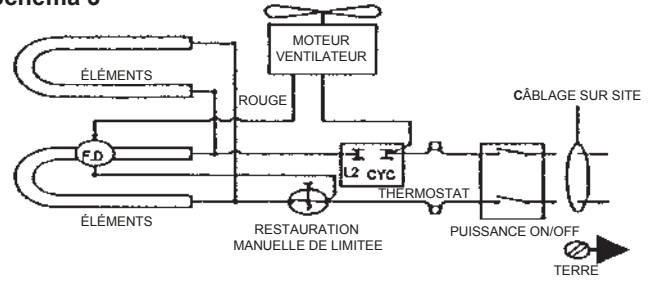


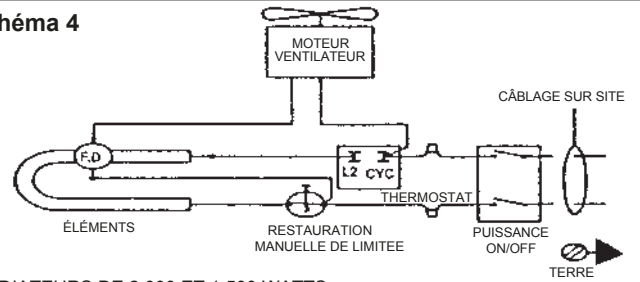
SCHÉMA DE CÂBLAGE POUR APPAREILS DE CHAUFFAGE MURAL MONOPHASÉS 208V, 4800W

Schéma 3



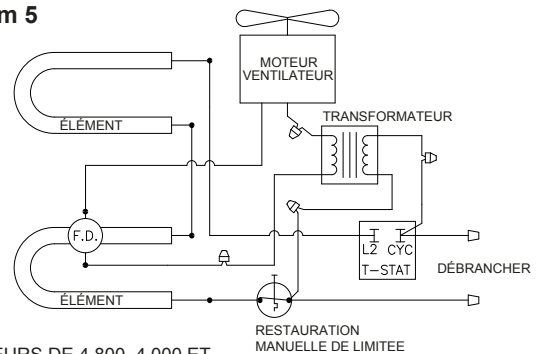
RADIATEURS DE 1 500, 1 800, 4 800 ET 3 000 WATTS EN 120, 208, 240 OU 277 VOLTS (Voir le Schéma N° 2 pour 4 800 W en monophasé 208 V) (Des radiateurs sur pleine puissance peuvent se convertir pour demi-puissance en enlevant le cavalier à fil rouge qui relie les bornes du haut des éléments de chauffe.)
REMARQUE: Conversion non-applicable aux modèles en 120 V.

Schéma 4



RADIATEURS DE 2 000 ET 1 500 WATTS
208 V, 240 V, OU 277 V

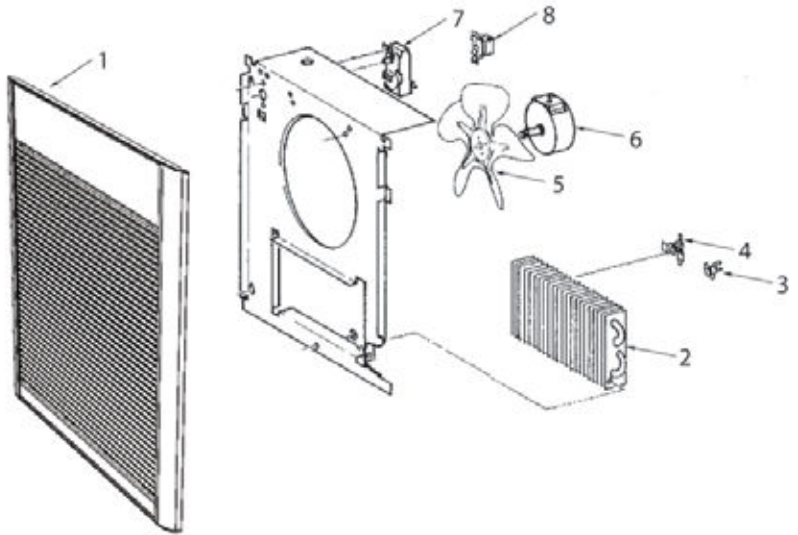
Diagram 5



RADIATEURS DE 4 800, 4 000 ET 3 000 WATTS 347 V OU 600 V

Pièces de rechange

Réf.	Description	Part Number
1	Ensemble de grille : Blanc Standard	2501-2003-004 2501-2003-007
2	Élément pour monophasé : 208 V; 4000 W 208/240 V; 3000/4000 W 240/277 V; 3000/4000 W 277 V; 3000 W 208 V; 4800 W 208/240 V; 3600/4800 W 240/277 V; 3600/4800 W 120 V; 1500 W 120 V; 1800 W Élément pour triphasé : 208 V; 4000 W 208/240 V; 3000/4000 W 208 V; 4800 W 208/240 V; 3600/4800 W	302015807 302015808 302012809 302012806 1802-2075-801 302012810 302012811 302012827 302012828 1802-2075-800 1802-2075-802 1802-2075-801 1802-2075-803
3	Restauration manuelle de limite	4520-2027-000
	Temporisation de ventilation pour triphasé	4520-2024-000
5	Pale de ventilateur	490030103
6	Moteur: 277/240 V 208/240 V 120 V	3900-2010-001 3900-2010-000 3900-2010-003
7	Thermostat	410168002 5813-2027-001 (WH4508, WH44083, WH45083, WH44043, WH45043)
8	Puissance ON/OFF	410170001
—	Relais	410101002
—	Protector térmico (Limite automatique)	4520-2048-000



GARANTIE LIMITÉE

Tous les produits fabriqués par Marley Engineered Products sont garantis contre les défauts de fabrication et de matériaux pendant un an à compter de la date d'achat, à l'exception des éléments chauffants qui sont garantis contre les défauts de fabrication et de matériaux pendant cinq ans à compter de la date d'achat. Cette garantie ne s'applique pas aux dommages résultant d'un accident, d'une mauvaise utilisation ou d'une altération ; ni lorsque la tension connectée est supérieure de plus de 5 % à la tension de la plaque signalétique ; ni à un équipement mal installé ou câblé ou entretenu en violation des instructions d'installation du produit. Cette garantie ne s'applique pas aux produits remis à neuf. Toutes les demandes de travaux sous garantie doivent être accompagnées d'une preuve de la date d'achat.

Le client est responsable de tous les coûts du retrait ou de la réinstallation des produits, y compris les coûts de main-d'oeuvre découlant du retour des produits. Dans les limites de cette garantie, les unités non opérationnelles doivent être retournées à Marley Engineered Products. À notre option, nous réparerons ou remplacerons, sans frais pour le client et avec le frêt de retour du produit payé par Marley. Il est convenu qu'une telle réparation ou remplacement est la solution exclusive disponible de Marley Engineered Products.

LES GARANTIES CI-DESSUS SONT AU LIEU DE TOUTES LES AUTRES GARANTIES EXPRESSES OU IMPLICITES DE MARCHANDABILITÉ ET D'ADÉQUATION À UNE FIN PARTICULIÈRE QUI DÉPASSE LES GARANTIES EXPRIMÉES SUSMENTIONNÉES ET SONT PAR LES PRÉSENTES REJETÉES ET EXCLUES DU PRÉSENT ACCORD. MARLEY ENGINEERED PRODUCTS NE DOIT PAS ÊTRE TENU RESPONSABLE DES DOMMAGES DE CONSÉQUENCE DÉCOULANT DE L'UTILISATION DU PRODUIT, QUE CE SOIT PAR NÉGLIGENCE, RESPONSABILITÉ, RESPONSABILITÉ STRICTE OU CONTRAT.

Certains États/provinces ne permettent pas l'exclusion ou la limitation de dommages incidentels ou consécutiels. L'exclusion ou la limitation ci-haut peuvent ne pas s'appliquer dans votre cas. Cette garantie vous octroie des droits juridiques spécifiques. Vous pourriez avoir d'autres droits variant d'un État/province à l'autre.

Communiquez avec Marley Engineered Products à Bennettsville, SC, au 1 800 642-4328. Les produits retournés à l'usine doivent être accompagnés d'une autorisation de retour et d'une étiquette d'identification de service. Les deux sont disponibles de Marley Engineered Products. Lors de la demande d'une autorisation de retour, indiquez tous les numéros de catalogue illustrés sur les produits.

COMMENT OBTENIR DU SERVICE ET DES PIÈCES DANS LE CADRE DE LA GARANTIE ET DES INFORMATIONS GÉNÉRALES

- | | |
|--|--|
| 1. Service et pièces sous garantie | 1-800-642-4328 |
| 2. Pièces détachées à acheter | 1-800-654-3545 |
| 3. Informations générales sur les produits | www.marleymep.com |

Remarque : Pour obtenir le service sous garantie vous devez toujours avoir préparé :

1. Référence de modèle du produit
2. Date de fabrication
3. Numéro ou description de pièce



Marley®
Engineered Products

470 Beauty Spot Rd. East
Bennettsville, SC 29512 USA