



Meets ANSI/UL 2021
and CSA C22.2 No. 46

HRA66 Series Infrared Heater

Installation, Operation & Maintenance Instructions

Table 1. Specifications

MODEL	VOLTS	PHASE	WATTS	AMPS	BTUHR
HRA66420B	240	1	2000	8.45	6824

IMPORTANT INSTRUCTIONS

Read Carefully – This instruction sheet contains vital information for the proper installation, use, and efficient operation of the heater described. Carefully read this manual before installation, cleaning, or operation of the heater. Failure to adhere to the instructions could result in fire, electrical shock, death, serious personal injury, or property damage. Save these instructions and review frequently for continuing safe operation and instructing future users.

⚠ WARNING ⚠

WHEN USING ELECTRICAL APPLIANCES, BASIC PRECAUTIONS SHOULD ALWAYS BE FOLLOWED TO REDUCE THE RISK OF FIRE, ELECTRIC SHOCK, AND INJURY TO PERSONS, INCLUDING THE FOLLOWING:

1. Read all instructions before installing or using this heater.
2. All wiring must comply with the National Electrical Code (NEC) in the USA, Canadian Electrical Code (CEC) in Canada and all applicable local codes.
3. This heater is hot when in use. To avoid burns, do not let bare skin touch hot surfaces. Keep combustible materials, such as furniture, pillows, bedding, papers, clothes, etc. and curtains at least 7 ft (2.1 M) from the front of the heater. See Fig. 2 for minimum mounting clearance requirements.
4. Extreme caution is necessary when any heater is used by or near children or invalids and whenever the heater is left operating and unattended. Note: this heater is for attended use only.
5. Inspect power cord regularly and do not use if damaged. Do not operate any heater if it is dropped or malfunctions in any way. Disconnect power to heater and have it inspected by a reputable electrician before reusing.
6. This heater is approved for use in IPX5 Rated outdoor areas.
7. This heater is not intended for use in bathrooms, laundry areas and similar locations. Always disconnect power to heater before spraying with water. Never locate heater where it may fall into or around water (including but not limited to bathtubs, sinks and water stalls).
8. Your heater is provided with a grounded 3-wire flexible cord suitable for hard wiring into an approved junction box. Make sure all connections are tight.
9. Do not insert or allow foreign objects to enter heater as this may cause an electric shock, fire, or damage the heater.
10. To prevent a fire, use care to never block heater and maintain required clearances.
11. A heater has hot and arcing or sparking parts inside. Do not use in areas where gasoline, paint, or flammable vapors or liquids are used or stored.
12. Use this heater only as described in this manual. Any other use not recommended by the manufacturer may cause fire, electric shock, or injury to persons. Do not modify this heater in any way.

SAVE THESE INSTRUCTIONS

INSTALLATION INSTRUCTIONS

- Carefully open the carton containing your heater and check for damage. If you find any damage, notify your carrier as freight damage is not covered by the manufacturer's warranty. File damage claim directly with carrier

Should you accidentally touch the bulb, clean it with a soft cloth and alcohol.

- This heater is intended for wall mounting only using wall bracket provided with heater - See Fig. 1. Heater must be mounted at least 8' 3" (2.5 M) off floor. Do not mount heater to ceiling. Top of heater must be located at least 12" (305 mm) from the ceiling – See Fig. 2
- Heater must be installed in horizontal position only (as shown).

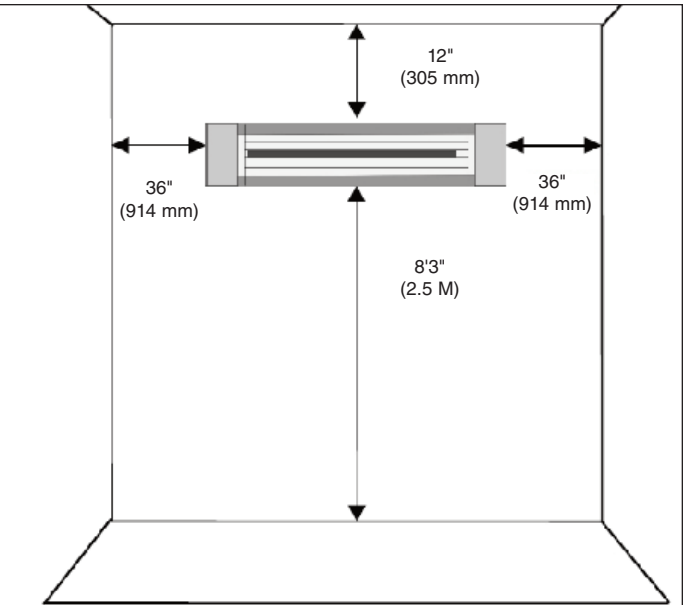
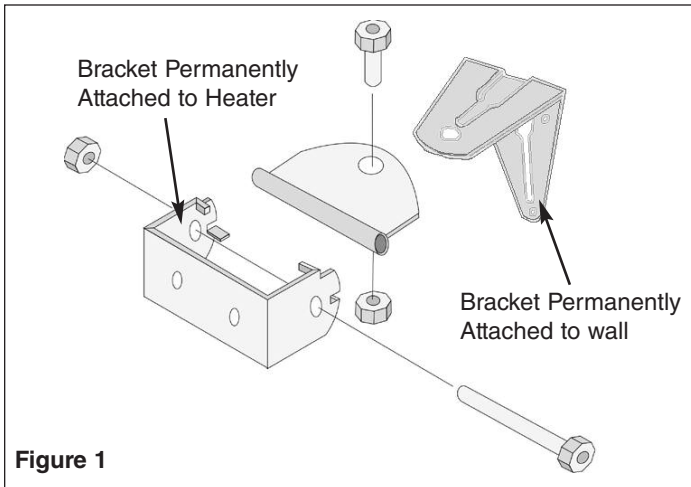


Figure 2 - Minimum Mounting Clearances

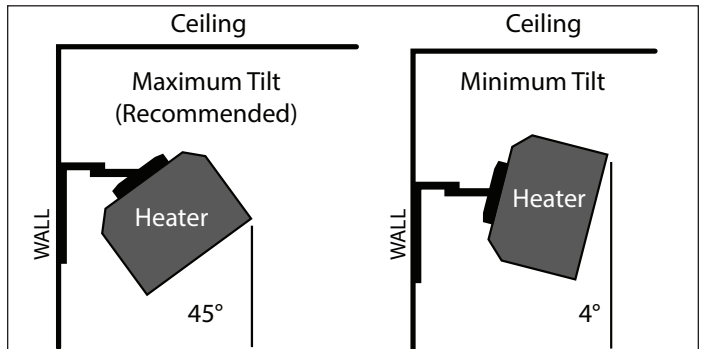


Figure 3 - Mounting Angles (Min and Max)

- Heater must be securely mounted to building structure to assure it will not fall.
- Heater is IPX5 Rated for outdoor use.
- Heater bracket will allow the heater mounting angle to be adjusted from approximately 4° - 45° from vertical. The optimum angle is 45° - see Fig. 3
- Do not locate heater directly below an outlet.
- Heater is provided with flexible cord for hard wire connection to an appropriate junction box - see warning 2. Route cord to avoid possible damage.

⚠ WARNING ⚠

TO PREVENT A POSSIBLE ELECTRIC SHOCK HAZARD, MAKE SURE ALL POWER COMING TO HEATER IS OFF AT MAIN DISCONNECT BEFORE WIRING.

- Route heater cable to junction box and cut excess cable to allow approximately 6 inches of cable inside box for wiring connections.
- Install appropriate cable clamp/strain relief to cable and secure into junction box.

WIRING INSTRUCTIONS

Note: Installer must determine how the heater will be controlled (ON-OFF) and provide branch circuit equipment as needed. This heater is provided with a section of weatherproof flexible power cable to allow for ease in wiring. Installer must bring branch circuit wiring to area near heater location and provide an approved junction box for making connections. Note: Do not install heater directly below a junction box.

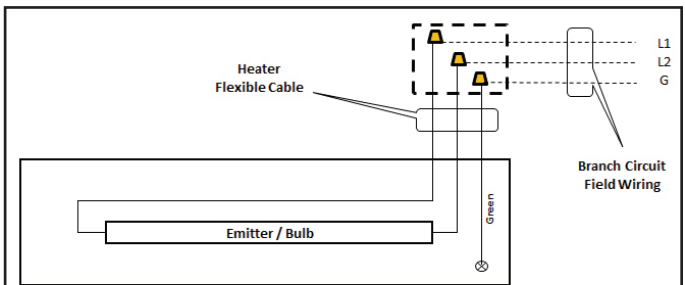


Fig. 4 Wiring Diagram

Figure 4

3. After removing the outer jacket, strip approximately 1/2" of insulation from each wire to assure only the copper wire is within connectors and make all connections using appropriate sized Listed connectors. Connect the green colored wire from heater to the earth ground wire. Connect the remaining two heater wires to the two power wires. To avoid overheating, make sure all connections are tight. See wiring diagram Fig. 4.
4. Install appropriate junction box cover.

INITIAL CHECK OUT

1. After all wiring has been completed, energize the heater circuit by turning on the breaker or disconnect switch provided. Heater should immediately come on.
2. Allow heater to operate for at least 10 minutes to verify all wiring is correct.
3. Disconnect power.

OPERATING INSTRUCTIONS

1. Your heater operates using infrared short wave technology to heat objects, not the air. Therefore, the heater installation should direct the rays towards the object(s) needing heat.

CAUTION

TO AVOID A POSSIBLE FIRE DO NOT PLACE ANY OBJECTS CLOSER THAN 7 FT (2.1 M) IN FRONT OF HEATER 36 IN. (914 MM) FROM SIDES.

2. Your heater comes completely assembled except for the attachment of the heater to the wall bracket. Do not operate your heater unless it is properly installed as indicated in the INSTALLATION INSTRUCTIONS section.
3. To operate, energize the electrical circuit to heater by turning on the breaker or disconnect switch feeding the heater. Heater should immediate come on with bulb lighting up.

CAUTION

NEVER STARE AT BULB DURING OPERATION AS THIS COULD CAUSE A POSSIBLE EYE INJURY.

MAINTENANCE INSTRUCTIONS

1. Your heater is designed and constructed to provide years or trouble free operation with little maintenance. Periodic cleaning and inspection for damage is necessary to assure safe and efficient operation.
2. Always disconnect power to heater and allow it to cool before performing any maintenance function.
3. The external heater housing may be cleaned using a cloth with mild detergent. Do not allow water to enter inside heater.
4. The reflector and bulb should be kept clean to help the heater operate efficiently. Using a soft cloth, gently wipe the reflector and bulb to remove any residue.

IMPORTANT NOTE: Avoid touching the bulb with your fingers as oils from your body will cause a premature failure of the bulb. Should you accidentally touch the bulb, immediately clean it with a soft cloth moistened with alcohol.

5. Periodically inspect the power cord and heater for damage. Do not use if damaged. Consult an electrician to make any necessary repairs.

BULB REPLACEMENT:

Periodically the bulb may need to be replaced if it fails to operate. This must be done by a qualified electrician or electrical repair service. Replacement bulbs can be obtained by contacting 1-800-654-3545 or by visiting www.marleymep.com

Be sure to note the model number noted on the heater ID nameplate and date code

LIMITED WARRANTY for HRA and VRC Series Infrared Heaters

The products covered by this installation manual, manufactured and/or sold by Marley Engineered Products, are warranted against defects in workmanship and materials for two years from date of purchase, except emitters (or bulbs) which are warranted against defects in workmanship and materials for 60 days from date of purchase. This warranty does not apply to damage from accident, misuse, or alteration; nor where the connected voltage is more than 5% above the nameplate voltage; nor to equipment improperly installed or wired or maintained in violation of the product's installation instructions. All claims for warranty work must be accompanied by proof of the date of purchase.

The customer shall be responsible for all costs incurred in the removal or reinstallation of products, including labor costs, and shipping costs incurred to return products to Marley Engineered Products Returned Goods Department. Within the limitations of this warranty, inoperative units should be returned to 470 Beauty Spot Road, Bennettsville, SC 29512, with a complete description of the problem, proof of purchase documents, and customer's full name and address. Merchandise returned to the factory must also be accompanied by a Material Return Authorization (MRA) a available from Marley Engineered Products. For warranty questions and assistance in obtaining the MRA documents required for return of the product, contact Marley Engineered Products in Bennettsville, SC, at 1-800-642-4328.

When requesting the MRA, include Model numbers and date code as shown on the product's nameplate. In warranty returns will be repaired or replaced, at our option, at no charge to you with return freight paid by Marley. It is agreed that such repair or replacement is the exclusive remedy available from Marley Engineered Products.

THE ABOVE WARRANTIES ARE IN LIEU OF ALL OTHER WARRANTIES EXPRESSED OR IMPLIED, AND ALL IMPLIED WARRANTIES OF MERCHANTABILITY AND FITNESS FOR A PARTICULAR PURPOSE WHICH EXCEED THE AFORESAID EXPRESSED WARRANTIES ARE HEREBY DISCLAIMED AND EXCLUDED FROM THIS AGREEMENT. MARLEY ENGINEERED PRODUCTS SHALL NOT BE LIABLE FOR CONSEQUENTIAL DAMAGES ARISING WITH RESPECT TO THE PRODUCT, WHETHER BASED UPON NEGLIGENCE, TORT, STRICT LIABILITY, OR CONTRACT.

Some states do not allow the exclusion or limitation of incidental or consequential damages, so the above exclusion or limitation may not apply to you. This warranty gives you specific legal rights, and you may also have other rights which vary from state to state.

HOW TO OBTAIN WARRANTY SERVICE AND WARRANTY PARTS PLUS GENERAL INFORMATION

- | | |
|--------------------------------|---|
| 1. Warranty Service or Parts | 1-800-642-4328 |
| 2. Purchase Replacement Parts | 1-800-654-3545 |
| 3. General Product Information | www.marleymep.com |

Note: When obtaining service always have the following:

1. Model number of the product
2. Date of manufacture
3. Part number or description

Note: Do not return to manufacturer.



Marley[®]
Engineered Products

470 Beauty Spot Rd. East
Bennettsville, SC 29512 USA



Cumple las normas ANSI/UL
 2021 y CSA C22.2 No. 46

Calefactor radiante infrarrojo Serie HRA66

Instrucciones de instalación, manejo y mantenimiento

Tabla 1. Especificaciones

MODELO	VOLTIOS	FASE	WATTS	AMPERIOS	BTUHR
HRA66420B	240	1	2000	8.45	6824

INSTRUCCIONES IMPORTANTES

Read Carefully – This instruction sheet contains vital information for the proper installation, use, and efficient operation of the heater described. Carefully read this manual before installation, cleaning, or operation of the heater. Failure to adhere to the instructions could result in fire, electrical shock, death, serious personal injury, or property damage. Save these instructions and review frequently for continuing safe operation and instructing future users.

⚠️ ADVERTENCIA ⚠️

AL UTILIZAR APARATOS ELÉCTRICOS, SIEMPRE DEBEN SEGUIRSE PRECAUCIONES BÁSICAS PARA REDUCIR EL RIESGO DE INCENDIO, DESCARGA ELÉCTRICA Y LESIONES A PERSONAS, INCLUYENDO LO SIGUIENTE:

1. Lea todas las instrucciones antes de instalar o utilizar este calefactor.
2. Todas las conexiones de cables deben cumplir el Código Eléctrico Nacional (NEC) en EE.UU., el Código Eléctrico Canadiense (CEC) en Canadá y todos los códigos locales aplicables
3. Este calefactor estará caliente mientras está en uso. Para evitar quemaduras, no permita que la piel desnuda haga contacto con las superficies calientes. Mantenga los materiales combustibles, tales como muebles, almohadas, ropa de cama, papeles, ropa, etc. y cortinas a 7 pies (2.1 m) de distancia como mínimo de la parte delantera del calefactor. Vea la Fig. 3 para conocer los requisitos de distancias de montaje mínimas.
4. Se debe tener extrema precaución cuando el calefactor se utiliza cerca de niños o personas discapacitadas y cuando el calefactor se deja funcionando sin supervisión. Nota: Este calefactor sólo es para uso en áreas que no se queden solas o sin atención.
5. Inspeccione periódicamente el cable de suministro de energía y no utilice el calefactor si el cable está dañado. No ponga en funcionamiento ningún calefactor si éste se cae o tiene alguna falla. Antes de utilizarlo nuevamente, desconecte la energía hacia el calefactor y hágalo inspeccionar por un electricista confiable.
6. Este calefactor está aprobado para uso en áreas exteriores de Clasificación IPX5
7. Este calefactor no está diseñado para uso en baños, áreas de lavado de ropa ni en lugares similares. Nunca ubique el calefactor donde pudiera caerse dentro o alrededor de agua (incluyendo, entre otros, bañeras/tinas, fregaderos/lavamanos y salas de agua).
8. Su calefactor tiene un cable flexible de 3 alambres conectado a tierra para conexión con una caja de conexiones aprobada. Verifique que todas las conexiones están apretadas.
9. No inserte ni permita que objetos extraños ingresen al calefactor ya que esto podría causar una descarga eléctrica, incendio, o daño del calefactor.
10. Para evitar un incendio, tenga cuidado de no obstaculizar el calefactor y de mantener los espacios libres requeridos.
11. Un calefactor tiene en su interior piezas calientes, piezas que forman arcos eléctricos o piezas que producen chispa. No utilice esta unidad en áreas donde se utiliza o almacena gasolina, pintura, vapores o líquidos inflamables.
12. Utilice este calefactor únicamente según se describe en este manual. Cualquier otro uso no recomendado por el fabricante podría causar un incendio, descarga eléctrica, o lesiones a personas.

SAVE THESE INSTRUCTIONS

INSTRUCCIONES DE INSTALACIÓN

1. Abra cuidadosamente la caja de cartón que contiene su calefactor y revise en busca de daños. Si usted encuentra algún daño, notifique a su empresa de transportes ya que el daño por transporte no está cubierto por la garantía del fabricante. Presente el reclamo por daño directamente a la empresa de transportes.

Si usted toca accidentalmente el foco/bombilla, límpielo con un trapo suave y alcohol

3. Este calefactor está diseñado sólo para montaje en pared utilizando el soporte en pared suministrado con el calefactor - vea la Fig. 1. El calefactor debe montarse a una distancia mínima de 8' 3" (2.5 m) del piso. No monte el calefactor en cielos rasos / techos. La parte superior de calefactor debe ubicarse a una distancia mínima de 12" (305 mm) del cielo raso / techo - Vea la Fig. 2.

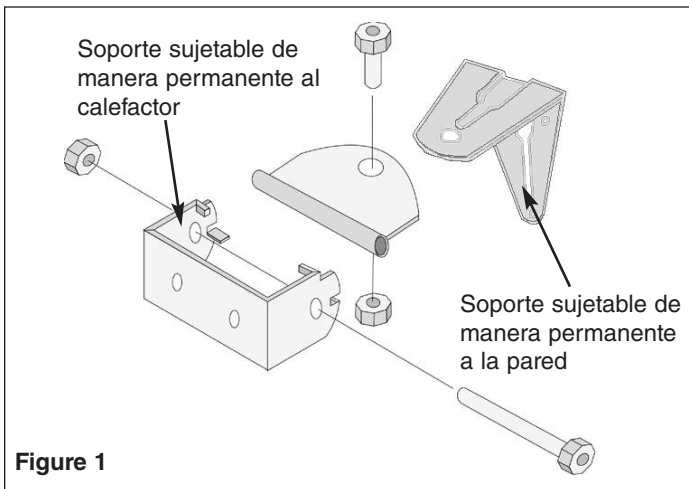


Figure 1

4. El calefactor debe instalarse en posición horizontal únicamente (según se muestra).
5. El calefactor debe montarse de manera segura a la estructura de la edificación para garantizar que éste no se caerá.
6. Este calefactor tiene clasificación IPX5 para uso en exteriores.
7. El soporte del calefactor permitirá que el ángulo de montaje del calefactor se ajuste desde aproximadamente 4° hasta 45° con respecto a la horizontal. El ángulo óptimo es 45° - vea la Fig. 3
8. No coloque el calefactor directamente debajo de un tomacorriente.
9. El calefactor se suministra con un cable flexible de suministro de energía para conexión con una caja de conexiones apropiada - vea la advertencia 2. Canalice el cable para evitar posible daño.

traer los cables del circuito de derivación al área cercana al calefactor y proporcionar una caja de conexiones aprobada para realizar las conexiones. Nota: No instale el calefactor directamente debajo de una caja de conexiones.

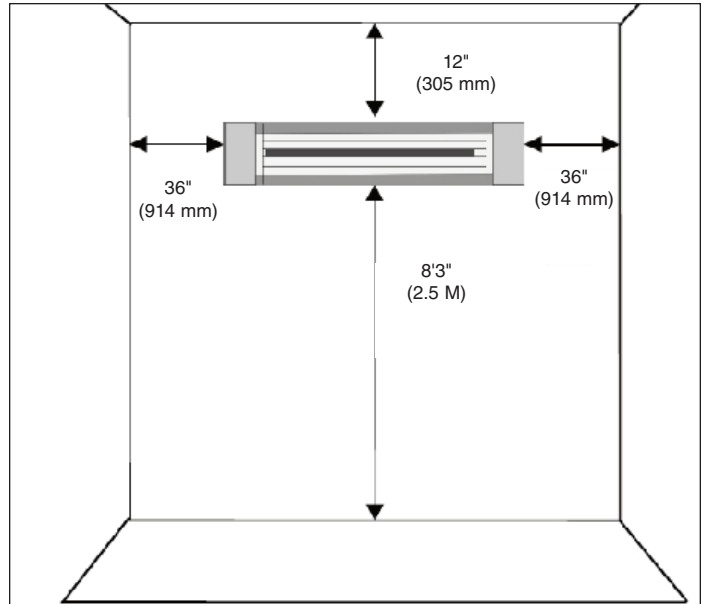


Figura 2 - Distancias de montaje mínimas

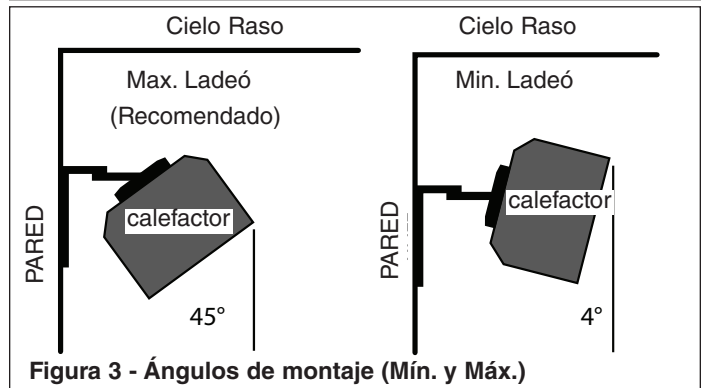


Figura 3 - Ángulos de montaje (Mín. y Máx.)

INSTRUCCIONES DE CABLEADO

Nota: El instalador debe determinar cómo se controlará (ON-OFF) el calefactor y debe suministrar los equipos del circuito de derivación según se requiera. Este calefactor se suministra con una sección de cable flexible impermeable de suministro de energía para facilitar la instalación eléctrica. El instalador debe

⚠ ADVERTENCIA ⚠

PARA EVITAR UN POSIBLE PELIGRO DE DESCARGA ELÉCTRICA, ASEGÚRESE QUE TODA LA ENERGÍA QUE LLEGA AL CALEFACTOR ESTÉ APAGADA (OFF) EN LA DESCONEXIÓN PRINCIPAL, ANTES DE REALIZAR LA CONEXIÓN DE LOS CABLES.

1. Tienda el cable del calefactor hasta la caja de conexiones y corte el cable sobrante y deje aproximadamente 6 pulgadas (15 cm) de cable dentro de la caja para las conexiones de cables.

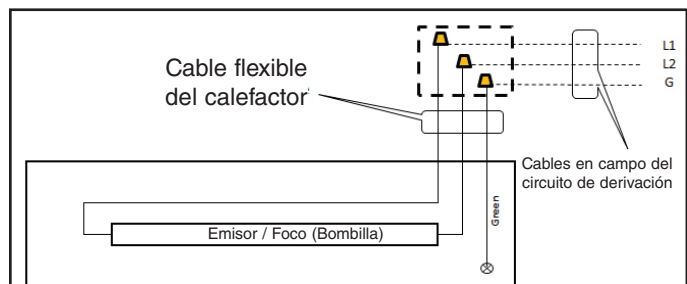


Figure 4 Diagrama de conexiones

2. Instale un aliviador de tirantez/abrazadera de cable apropiado al cable y asegure dentro de la caja de conexiones.
3. Después de remover la funda exterior, quite aproximadamente 1/2" de aislante de cada cable para garantizar que sólo el alambre de cobre está dentro de los conectores y realice todas las conexiones utilizando los conectores Listados de tamaño apropiado. Conecte el alambre de color verde del calefactor con el alambre de conexión a tierra. Conecte los dos alambres restantes del calefactor con los dos alambres de energía. Para evitar sobrecalentamiento, asegúrese que todas las conexiones están apretadas. Vea el diagrama de conexiones, Fig. 4..
4. Instale la tapa apropiada de la caja de conexiones..

REVISIÓN INICIAL

1. Después de finalizar todo el cableado, energice el circuito del calefactor encendiendo el cortacircuitos (breaker) o el interruptor de desconexión suministrado. El calefactor debe encenderse inmediatamente.
2. Permita que el calefactor funcione durante al menos 10 minutos para verificar que el cableado está correcto.
3. Desconecte el suministro eléctrico.

INSTRUCCIONES DE MANEJO

1. Su calefactor funciona utilizando la tecnología de ondas cortas infrarrojas para calentar objetos, no para calentar el aire. Por lo tanto, la instalación del calefactor debe dirigir los rayos hacia el objeto(s) que necesita calor.

PRECAUCION

PARA EVITAR UN POSIBLE INCENDIO, NO COLOQUE NINGÚN OBJETO A MENOS DE 7 PIES (2.1 M) EN FRENTE DEL CALEFACTOR.

2. Su calefactor viene completamente ensamblado excepto por la fijación del calefactor al soporte en pared. No ponga en funcionamiento su calefactor a menos que esté instalado apropiadamente según se indica en la sección de INSTRUCCIONES DE INSTALACIÓN.
3. Para poner en funcionamiento, energice el circuito eléctrico hacia el calefactor encendiendo el cortacircuitos (breaker) o el interruptor de desconexión que alimenta el calefactor. El calefactor debe encender inmediatamente con el foco/bombilla iluminando..

CAUTION

NUNCA MIRE FIJAMENTE EL FOCO/BOMBILLA DURANTE EL FUNCIONAMIENTO YA QUE ESTO PODRÍA CAUSAR POSIBLES LESIONES EN LOS OJOS.

INSTRUCCIONES DE MANTENIMIENTO

1. Su calefactor está diseñado y construido para proporcionar años de funcionamiento sin problemas y con poco mantenimiento. La limpieza periódica e inspección en busca de daños es necesaria para garantizar el funcionamiento seguro y eficiente.
2. Antes de realizar cualquier tarea de mantenimiento, siempre desconecte la energía hacia el calefactor y permita que éste se enfríe.
3. La carcasa externa del calefactor puede limpiarse utilizando un trapo con detergente suave. No permita que el agua ingrese al interior del calefactor..
4. El reflector y el foco/bombilla deben mantenerse limpios para ayudar el calefactor a funcionar de manera eficiente. Utilizando un trapo suave, limpie frotando suavemente el reflector y el foco/bombilla para remover cualquier residuo.

- NOTA IMPORTANTE:** Evite tocar el foco/bombilla con sus dedos ya que los aceites de su cuerpo causarán una falla prematura del foco/bombilla. Si usted toca accidentalmente el foco/bombilla, límpielo inmediatamente con un trapo suave humedecido con alcohol.
5. Inspeccione periódicamente el cable de energía y el calefactor en cuanto a daño. No utilice este producto si está dañado. Consulte un electricista para realizar cualquier reparación necesaria..

REEMPLAZO DE FOCO/BOMBILLA:

Periódicamente el foco/bombilla podría necesitar reemplazo si éste deja de funcionar. Esto debe ser realizado por un electricista calificado o un servicio de reparación eléctrica. Los focos/bombillas de reemplazo pueden obtenerse comunicándose con el 1-800-654-3545 ó visitando: www.marleymep.com

Asegúrese de anotar el número de modelo indicado en la placa de datos de identificación del calefactor y el código de fecha.

GARANTÍA LIMITADA para los Calefactores Infrarrojos Serie HRA y VRC

Los productos mencionados en este manual de instalación, fabricados y/o vendidos por Marley Engineered Products, están garantizados contra defectos en manufactura y materiales durante dos años a partir de la fecha de compra, excepto los emisores (o bulbos) los cuales están garantizados contra defectos en manufactura y materiales durante 60 días a partir de la fecha de compra. Esta garantía no aplica a daño por accidente, uso incorrecto, o alteración; ni donde el voltaje conectado sea superior en 5% al voltaje indicado en la placa de datos; ni aplica a equipo instalado o cableado o mantenido de manera inapropiada incumpliendo las instrucciones de instalación del producto. Todas las reclamaciones de trabajo de garantía deben incluir un documento que compruebe la fecha de compra.

El cliente será responsable de todos los costos incurridos en la remoción o reinstalación de los productos, incluyendo los costos de mano de obra, y los costos de envío incurridos en la devolución de los productos al Departamento de Devolución de Productos (Returned Goods Department) de Marley Engineered Products. Dentro de las limitaciones de esta garantía, las unidades inoperantes deben devolverse a 470 Beauty Spot Road, Bennettsville, SC 29512, con una descripción completa del problema, con documentos comprobantes de la compra, y el nombre completo y dirección del cliente. El producto devuelto a la fábrica también debe incluir una Autorización de Devolución de Material (Material Return Authorization = MRA) que se puede conseguir en Marley Engineered Products. Para preguntas sobre la garantía y ayuda para obtener los documentos de Autorización de Devolución de Material (MRA) requeridos para la devolución del producto, comuníquese con Marley Engineered Products en Bennettsville, SC, al 1-800-642-4328.

Al solicitar la Autorización de Devolución de Material (MRA), incluya los números de Modelo y el código de fecha según se muestran en la placa datos del producto. Los productos devueltos en garantía serán reparados o reemplazados, según nuestra elección, sin costo para usted; y con los gastos de envío de devolución pagados por Marley. Se establece que dicha reparación o reemplazo es el remedio único disponible de parte de Marley Engineered Products.

LAS ANTERIORES GARANTÍAS REEMPLAZAN CUALQUIER OTRA GARANTÍA EXPLÍCITA O IMPLÍCITA, Y TODAS LAS GARANTÍAS IMPLÍCITAS DE COMERCIALIZACIÓN Y CONVENIENCIA PARA UN PROPÓSITO ESPECÍFICO QUE EXCEDEN LAS GARANTÍAS EXPLÍCITAS MENCIONADAS ANTERIORMENTE SON NEGADAS MEDIANTE ESTE DOCUMENTO Y EXCLUIDAS DE ESTE ACUERDO. MARLEY ENGINEERED PRODUCTS NO SERÁ RESPONSABLE POR DAÑOS CONSIGUIENTES QUE SURJAN CON RESPECTO AL PRODUCTO, ESTÉN O NO BASADOS EN OMISIÓN, INFRACCIÓN, RESPONSABILIDAD ESTRICTA, O CONTRATO.

Algunos estados no permiten la exclusión o la limitación de los daños secundarios o resultantes, de modo que la anterior exclusión o limitación tal vez no se aplique a usted. Esta garantía le otorga derechos legales específicos, y además, usted tal vez tenga otros derechos que varían de un estado a otro.

CÓMO OBTENER EL SERVICIO DE GARANTÍA Y LAS PIEZAS DE GARANTÍA, Y ADEMÁS, INFORMACIÓN GENERAL

- | | |
|--|---|
| 1. Servicio o piezas de garantía | 1-800-642-4328 |
| 2. Compra de piezas de repuesto | 1-800-654-3545 |
| 3. Información general sobre productos | www.marleymep.com |

Nota: Al solicitar servicio, siempre tenga a mano lo siguiente:

1. Número de modelo del producto
2. Fecha de fabricación
3. Número o descripción de la pieza

Nota: Do not return to manufacturer.



Marley®
Engineered Products
470 Beauty Spot Rd. East
Bennettsville, SC 29512 USA



Marley[®]
Engineered Products



Intertek

Meets ANSI/UL 2021
and CSA C22.2 No. 46

Radiateur radiant en infrarouge Séries HRA

Instructions d'installation, d'utilisation et d'entretien

Table 1. Specifications

MODÈLE	VOLTS	PHASE	WATTS	AMPS	BTUHR
HRA66420B	240	1	2000	8.45	6824

INSTRUCTIONS IMPORTANTES

À lire attentivement – Cette fiche d'instructions contient des informations vitales pour une installation et une utilisation correctes du radiateur décrit. Lisez soigneusement ce manuel avant d'installer et d'utiliser le radiateur, ou de le nettoyer. Le non-respect de ces instructions peut entraîner un départ d'incendie, une commotion électrique, une blessure grave voire mortelle, ou des dégâts matériels. Conservez ces instructions, et repassez-les en revue fréquemment pour poursuivre un fonctionnement sûr et former de futurs utilisateurs.



AVERTISSEMENT



LORS DE L'UTILISATION D'APPAREILS ÉLECTRIQUES, DES PRÉCAUTIONS DE BASE DOIVENT TOUJOURS ÊTRE SUIVIES AFIN DE RÉDUIRE LE RISQUE DE DÉPART D'INCENDIE, DE COMMO-TION ÉLECTRIQUE ET DE BLESSURES AUX PERSONNES, INCLU-ANT CELLES QUI SUIVENT

- Lisez toutes les instructions avant d'installer ou d'utiliser le radiateur.
- Tout le câblage doit être en conformité avec la norme électrique américaine (NEC) aux USA et la norme électrique canadienne (CEC) au Canada, et avec toutes les normes locales applicables.
- Ce radiateur est chaud quand il est en fonctionnement. Pour éviter des brûlures, ne laissez pas de peau nue toucher ses surfaces chaudes. Maintenez les matières combustibles comme le mobilier, les oreillers, la literie, les papiers, les vêtements et les couvertures, à au moins 7 pieds (210 cm) de distance de l'avant du radiateur. Voyez la Fig. 3 pour les exigences en dégagements minimaux à l'installation.
- Il faut faire très attention quand un radiateur quelconque est utilisé par des enfants ou des personnes invalides ou près d'eux, et à chaque fois que le radiateur est laissé en marche sans surveillance. Remarque : Ce radiateur n'est prévu que pour une utilisation avec présence.
- Inspectez le cordon d'alimentation et sa fiche secteur régulièrement. Ne faites pas fonctionner n'importe quel radiateur qui serait tombé ou aurait présenté de quelconques dysfonctionnements. Débranchez ce radiateur et faites-le inspecter par un bon électricien avant de le réutiliser.
- Ce radiateur est approuvé pour des ambiances d'extérieur classifiées IPX5.
- Le radiateur n'est pas prévu pour une utilisation dans des salles d'eau, des buanderies ou des pièces d'intérieur similaires. Ne placez jamais un radiateur à un endroit d'où il pourrait tomber dans l'eau ou à proximité (ce qui inclut sans y être limité les baignoires, lavabos et points de distribution d'eau).
- Votre radiateur est fourni avec un cordon d'alimentation flexible à trois fils (avec terre) pour un câblage physique sur un boîtier de raccordement secteur. Assurez-vous que toutes les connexions sont bien serrées.
- N'insérez pas d'objets étrangers, et ne permettez pas qu'ils entrent dans le radiateur, car cela peut causer une commotion électrique ou un départ d'incendie, ou endommager le radiateur.
- Pour éviter un départ d'incendie, veillez à ne jamais obstruer le radiateur et à maintenir les dégagements requis.
- Un radiateur comporte à l'intérieur des parties chaudes, et pouvant produire un arc ou des étincelles électriques. Ne l'utilisez pas dans des zones où de l'essence ou des liquides inflammables sont utilisés ou entreposés.
- N'utilisez ce radiateur que comme c'est décrit dans ce manuel. Toute autre utilisation non recommandée par le constructeur peut causer un départ d'incendie, une commotion électrique ou des blessures corporelles. 12. Use this heater only as described in this manual. Any other use not recommended by the manufacturer may cause fire, electric shock, or injury to persons. Do not modify this heater in any way.

SAVE THESE INSTRUCTIONS

INSTRUCTIONS D'INSTALLATION

- Ouvrez avec précautions le carton contenant votre radiateur et contrôlez l'absence de dommages. Si vous constatez un quelconque dommage, prévenez votre transporteur car des dommages dus au transport ne sont pas couverts par la garantie du constructeur. Remplissez le formulaire de réclamation pour dommages directement avec le transporteur.

Si vous touchiez accidentellement la lampe, nettoyez-la avec un chiffon doux et de l'alcool.

- Ce chauffage est prévu pour un montage mural uniquement en utilisant le support mural fourni avec (Voir la Fig. 1). Le radiateur doit être placé à au moins 8' 3" (250 cm) au-dessus du plancher. Ne montez pas ce radiateur au plafond. Le haut du radiateur doit se trouver à au moins 12" (305 mm) du plafond (Voir la Fig. 2).

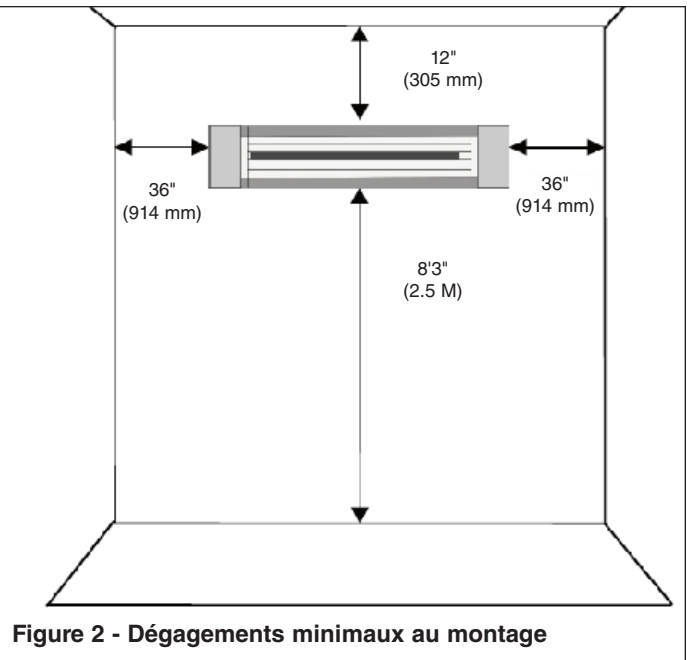
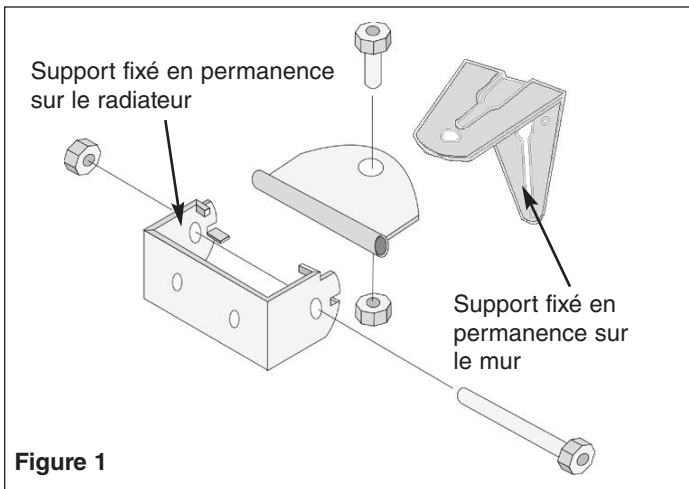


Figure 2 - Dégagements minimaux au montage

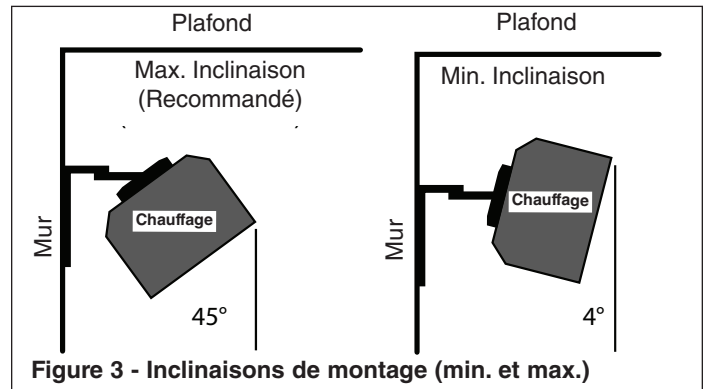


Figure 3 - Inclinaisons de montage (min. et max.)

- Le radiateur ne doit être installé qu'en position horizontale (comme c'est illustré).
- Le radiateur doit être solidement fixé à la structure du bâtiment pour lui éviter toute chute
- Le radiateur est classifié IPX5 pour une utilisation à l'extérieur;
- Le support du radiateur permettra de régler son angle d'inclinaison d'environ 4 à 45° par rapport à l'horizontale. L'angle d'inclinaison optimal est de 45° (Voir la Fig. 3).
- Ne placez pas de radiateur directement sous une sortie.
- Le radiateur est fourni avec un cordon flexible pour une connexion directe sur un boîtier de raccordement approprié (Voir l'avertissement 2). Faites passer le cordon pour éviter tout dommage.

près de l'emplacement du radiateur et fournir un boîtier de raccordement approuvé pour assurer la connexion. Remarque : N'installez pas de radiateur directement sous un boîtier de raccordement.

⚠ AVERTISSEMENT ⚠

POUR ÉVITER LA POSSIBILITÉ D'UNE COMMOTION ÉLECTRIQUE, ASSUREZ-VOUS QUE TOUTE L'ALIMENTATION ARRIVANT AU RADIATEUR EST COUPÉE À L'INTERRUPTEUR GÉNÉRAL EN AMONT AVANT DE CÂBLER.

- Faites passer le câble du radiateur jusqu'au boîtier de raccordement et coupez l'excédent de câble pour ne laisser qu'environ 6" (15 cm) de câble à l'intérieur du boîtier pour les connexions.
- Installez un collier/serre-câble approprié pour le câble et fixez-le sur le boîtier.

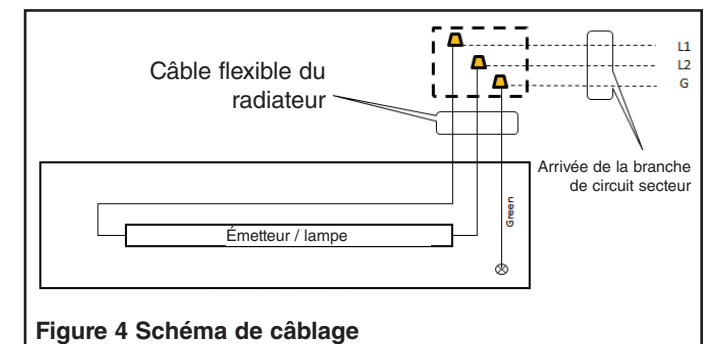


Figure 4 Schéma de câblage

INSTRUCTIONS DE CÂBLAGE

Remarque : L'installateur doit déterminer comment le radiateur sera contrôlé (Marche/Arrêt) et fournir l'équipement d'une branche de circuit secteur selon le besoin. Ce radiateur est fourni avec une section de câble d'alimentation flexible étanche pour faciliter le câblage. L'installateur doit amener le câblage d'une branche de circuit secteur

- Après avoir enlevé la gaine extérieure, dénudez environ sur 1/2" (13 mm) l'isolant de chaque fil pour assurer que seule leur âme en cuivre sera prise dans les connecteurs, et effectuez les raccordements en utilisant des connecteurs approuvés d'un calibre adéquat. Raccordez le fil de couleur verte venant du radiateur au fil de terre de l'arrivée secteur. Raccordez les deux autres fils d'alimentation du radiateur sur la phase et le neutre de l'arrivée secteur. Pour éviter une surchauffe, assurez-vous que les connexions sont bien serrées. Consultez le schéma de câblage en Fig. 4.
- Installez le couvercle approprié sur le boîtier de raccordement.

CONTRÔLE INITIAL

- Une fois que le câblage est effectué, mettez sous tension le circuit alimentant le radiateur au niveau du disjoncteur ou interrupteur fourni en amont. Le radiateur doit immédiatement s'activer.
- Laissez le radiateur fonctionner au moins 10 minutes pour vérifier que le câblage était correct.
- Coupez l'alimentation secteur.

INSTRUCTIONS D'UTILISATION

- Votre radiateur fonctionne en utilisant une technologie d'ondes courtes en infrarouge pour réchauffer les objets, et non l'air. De ce fait son installation doit cibler son rayonnement vers le(s) objet(s) nécessitant de la chaleur.

ATTENTION

POUR ÉVITER TOUTE POSSIBILITÉ DE DÉPART D'INCENDIE, NE PLACEZ AUCUN OBJET PLUS PRÈS QUE 7 PIEDS (210 CM) DE L'AVANT DU RADIATEUR.

- Votre radiateur est livré complètement monté sauf la fixation sur le support mural. Ne faites pas fonctionner votre radiateur s'il n'est pas correctement installé comme c'est indiqué à la section INSTRUCTIONS D'INSTALLATION.
- Pour le mettre en fonctionnement, activez le circuit secteur alimentant le radiateur au niveau du disjoncteur/interrupteur général en amont du radiateur. Le radiateur doit immédiatement s'activer immédiatement avec l'éclairage de la lampe.

ATTENTION

NE REGARDEZ JAMAIS DIRECTEMENT LA LAMPE EN FONCTIONNEMENT CAR CELA POURRAIT AFFECTER VOTRE VISION.

INSTRUCTIONS D'ENTRETIEN

- Votre radiateur est conçu et fabriqué pour fournir des années de bon fonctionnement sans soucis avec un entretien minime. Un nettoyage périodique avec inspection pour trouver d'éventuels dommages est nécessaire afin d'assurer un fonctionnement sûr et efficace.
- Débranchez toujours le radiateur et laissez-le refroidir avant n'importe quelle intervention dessus.
- La partie extérieure du carter de radiateur peut se nettoyer en utilisant un chiffon et un détergent doux. Ne laissez pas d'eau entrer à l'intérieur du radiateur.
- Le réflecteur et la lampe doivent être gardés propres pour contribuer au bon fonctionnement du radiateur. À l'aide d'un chiffon doux, passez doucement sur le réflecteur et la lampe pour éliminer tout résidu.

REMARQUE IMPORTANTE: Évitez de toucher la lampe avec vos doigts, car des huiles corporelles déposées pourraient écourter la durée de service de la lampe. Si vous touchiez accidentellement la lampe, nettoyez-la avec un chiffon doux humecté avec de l'alcool.

- Inspectez périodiquement le cordon d'alimentation et le radiateur pour voir d'éventuelles détériorations. Ne l'utilisez pas s'il est endommagé. Consultez un électricien pour effectuer toute réparation nécessaire.

REMPACEMENT DE LAMPE :

Périodiquement il faudra remplacer la lampe si elle devient défectueuse. Cela doit être effectué par un électricien qualifié ou un atelier de réparations électriques. Des lampes de remplacement peuvent être obtenues en appelant le 1-800-654-3545 ou en allant sur le site Web www.marleymep.com. Assurez-vous de bien noter avant la référence de modèle et le code de date trouvés sur la plaque signalétique du radiateur.

GARANTIE LIMITÉE pour radiateurs à infrarouge de Séries HRA et VRC

Les produits couverts dans ce manuel d'installation, fabriqués et/ou vendus par Marley Engineered Products, sont garantis contre des défauts dus à la main-d'œuvre et aux matériaux pendant deux ans à partir de la date d'achat, saufs les émetteurs (ampoules à infrarouge) qui sont garantis de la même façon pendant 90 jours après l'achat. Cette garantie ne s'applique pas pour des dommages résultant d'accidents, de mésusage ou d'altération ; ni si la tension secteur envoyée fait 5 % ou plus au-dessus de la tension nominale de la plaque signalétique ; ni sur l'équipement est incorrectement installé, câblé ou entretenu, en violation avec les instructions d'installation du produit. Toutes les demandes d'exercice de la garantie devront être accompagnées de la preuve de date d'achat.

Le client doit être responsable de tous les coûts occasionnés pour le démontage ou la réinstallation des produits, incluant les coûts de main-d'œuvre, et les coûts d'expédition pour renvoyer les produits au centre de service de Marley Engineered Products. Dans le cadre des limitations de cette garantie, les appareils défectueux doivent être renvoyés à 470 Beauty Spot Road, Bennettsville, SC 29512, USA. Vous devez joindre à cet envoi une description complète du problème, des documents attestant de son achat, et vos coordonnées complètes (nom de client et adresse). Toute marchandise renvoyée à l'usine doit aussi être accompagnée d'une autorisation de retour de matériel (MRA), fournie par Marley Engineered Products. Pour les questions touchant à la garantie et l'assistance pour l'obtention du MRA nécessaire au retour du produit, contactez Marley Engineered Products (Bennettsville, SC, USA) au 1-800-642-4328.

Lors de la demande d'un MRA, fournissez la référence de modèle et le code de date, qui se trouvent sur la plaque signalétique du produit. Les retours sous garantie seront réparés ou remplacés, à notre choix, sans frais pour vous, le coût du fret de retour étant pris en charge par Marley. Il est convenu que cette réparation ou ce remplacement sera le seul remède à attendre de Marley Engineered Products.

LES GARANTIES QUI PRÉCÈDENT TIENNENT LIEU DE TOUTES LES AUTRES GARANTIES, EXPLICITES OU IMPLICITES, ET TOUTES LES GARANTIES IMPLICITES DE VALEUR MARCHANDE ET D'ADÉQUATION POUR UNE FINALITÉ SPÉCIFIQUE EXCÉDANT LES DISPOSITIONS DE GARANTIE PRÉCÉDEMMENT ÉNONCÉES SONT ICI REJETÉES ET EXCLUES DE CET ACCORD. MARLEY ENGINEERED PRODUCTS NE SERA PAS TENU POUR RESPONSABLE DES DOMMAGES CONSÉCUTIFS SURVENANT EN RELATION AVEC LE PRODUIT, QU'ILS SOIENT À BASE DE NÉGLIGENCE, TORT, RESPONSABILITÉ PURE OU CONTRACTUELLE.

Certains États ou Provinces ne permettent pas l'exclusion ou la limitation des dommages consécutifs ou annexes, de ce fait l'exclusion ou la limitation qui précède peut ne pas s'appliquer à votre cas. Cette garantie vous donne des droits légaux spécifiques, qui varient d'une province à l'autre.

COMMENT OBTENIR DU SERVICE ET DES PIÈCES DANS LE CADRE DE LA GARANTIE ET DES INFORMATIONS GÉNÉRALES

1. Service et pièces sous garantie **1-800-642-4328**
2. Pièces détachées à acheter **1-800-654-3545**
3. Informations générales sur les produits www.marlymep.com

Remarque : Pour obtenir le service sous garantie vous devez toujours avoir préparé :

1. Référence de modèle du produit
2. Date de fabrication
3. Numéro ou description de pièce

Remarque : Ne rien renvoyer au constructeur.

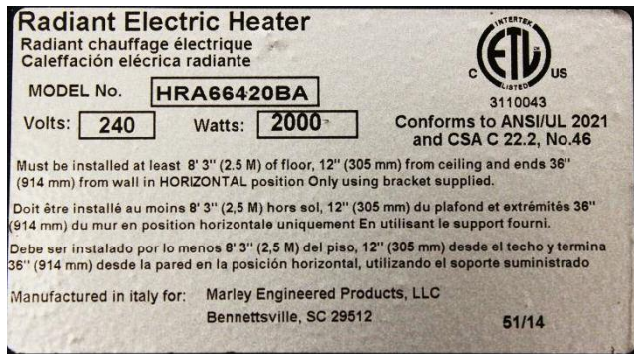


Marley[®]
Engineered Products

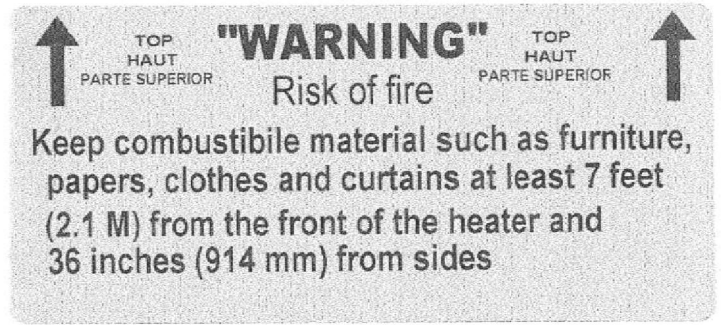
470 Beauty Spot Rd. East
Bennettsville, SC 29512 USA

HRA66 Labels

Nameplate



Warnings



Cord Tag

