

Model NPH4ABA Portable Unit Heater

Installation, Operation & Maintenance Instructions

IMPORTANT INSTRUCTIONS



CAUTION
RISK OF ELECTRICAL SHOCK
DO NOT OPEN
NO USER-SERVICEABLE PARTS INSIDE



WARNING – TO REDUCE THE RISK OF FIRE

When using electrical appliances, basic precautions should always be followed to reduce the risk of fire, electric shock, and injury to persons, including the following:

1. Read all instructions before using this heater.
2. Extreme caution is necessary when any heater is used by or near children or invalids and whenever the heater is left operating and unattended.
3. Do not use outdoors.
4. This heater is not intended for use in bathrooms, laundry areas and similar indoor locations. Never locate heater where it may fall into a bathtub or other water container.
5. Ground fault circuit protection is required if heater is used in damp areas such as basements or garages. This is not suitable for use in wet or very humid locations.
6. To disconnect heater, turn controls off, then remove plug from outlet. Always unplug heater when not in use.
7. Connect to properly grounded outlets only.
8. Do not insert or allow foreign objects to enter any ventilation or exhaust opening as this may cause an electric shock or fire, or damage the heater.
9. Use this heater only as described in this manual. Any other use not recommended by the manufacturer may cause fire, electric shock, or injury to persons.
10. Check heater voltage and amperage on back of heater to make sure it agrees with the electric service supplied.
11. Do not operate heater without stand.
12. When heater is to be wall or ceiling mounted, the anchoring provisions must be of sufficient strength to support the total weight of the heater plus the weight of the mounting provi-

sions. Failure to properly secure the supporting members of the building structure could allow the heater to fall.

13. This heater is hot when in use. To avoid burns, do not let bare skin touch hot surfaces. Use handles when moving this heater. Keep combustible materials, such as furniture, pillows, bedding, papers, clothes, and curtains at least 3 feet (0.9 m) from the front of the heater and keep away from the sides and rear.
14. A heater has hot and arcing or sparking parts inside. Do not use it in areas where gasoline, paint, or flammable liquids are used or stored.
15. Do not operate any heater with a damaged cord or plug or after the heater malfunctions, has been dropped or damaged in any manner. Discard heater, or return to authorized service facility for examination and/or repair.
16. Do not run cord under carpeting. Do not cover cord with throw rugs, runners, or similar coverings. Do not route cord under furniture or appliances. Arrange cord away from traffic area and where it will not be tripped over.
17. To prevent a possible fire, do not block air intakes or exhaust in any manner. Do not use on soft surfaces, like a bed, where openings may become blocked.
18. Always plug heaters directly into a wall outlet/receptacle. Never use with an extension cord or re-locatable power tap (outlet/power strip).
19. Check heater cord and plug connections. Faulty wall outlet connections or loose plugs can cause the outlet or plug to overheat. Be sure the plug fits tight in the outlet. Heaters draw more current than small appliances, therefore overheating of the outlet may occur even if it has not occurred with the use of other appliances. If plug outlet or faceplate is HOT, discontinue use and have qualified electrician check/replace the faulty outlet.

SAVE THESE INSTRUCTIONS

MOUNTING INSTRUCTIONS

General

1. In workshops, locate heater away from sources of wood dust.
2. When heater is mounted on the wall or ceiling, provisions must be made to bundle or otherwise prevent excess power cord from draping loose.

Floor Application

The heater, as received, is set up for floor mounting. Place the heater on floor or other flat surface and insert the plug into the proper wall outlet.

The heater can be adjusted to redirect the airstream. To do this, simply loosen the knob on either side of the heater, then pivot heater to desired position and re-tighten both knobs.

Wall Mount

SEE WARNING NO. 12.

This heater may be mounted on any wall that will support the weight of the heater. First remove the mounting stand from the heater, then remove four rubber grommets from stand. Secure stand to structural members of wall with four 1/4" dia. X 1-1/2" long lag bolts (not provided). In masonry walls use metal expansion shields or toggle bolts. Never use bolts smaller 1/4" diameter.

Replace the heater in the stand and tighten knobs to lock in place. Two large rubber washers go between heater and stand, one on either side.

REMEMBER: The electrical outlet must be within reach of the six foot cord. Be sure to provide enough clearance to pivot heater and reach adjustment knobs.

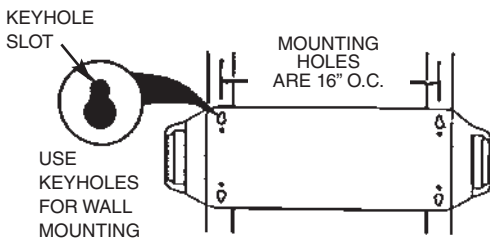


Figure 1

Ceiling Mount

This heater may be mounted to any ceiling that will support the weight of the heater.

⚠ WARNING ⚠

TO PREVENT HEATER FROM POSSIBLY FALLING, DO NOT USE KEYHOLE SLOTS FOR CEILING MOUNT APPLICATION. SEE ALSO WARNING NO. 13.

First remove the mounting stand from the heater, then remove four rubber grommets from stand. Secure stand to structural members of ceiling with four 1/4" diameter bolts (not provided). In wood joist use 1-1/2" long lag bolts. In steel beams use machine bolts secured with nuts and lockwashers. Never use bolts smaller than 1/4" diameter.

Replace the heater in the stand and tighten knobs to lock in place. Two large rubber washers go between heater and stand, one on either side.

REMEMBER: The electrical outlet must be within reach of the six foot cord. Be sure to provide enough clearance to pivot heater and reach adjustment knobs.

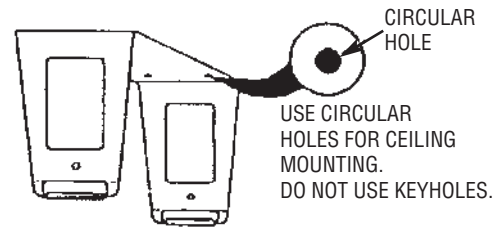


Figure 2

OPERATING INSTRUCTIONS:

1. To operate the heater, first select either high or low position on the heat selector switch, then turn the thermostat knob as far as it will go in the clockwise direction.
2. The indicator light will come on and remain on as long as the heater is in the operating mode.
3. When the room temperature reaches the desired level, slowly turn the thermostat knob counterclockwise until the thermostat clicks.
4. To turn the heater off, turn thermostat knob as far as it will go in the counterclockwise direction until the indicator light is off.
5. The fan selector switch allows continuous or cycling fan operation by selecting either the "ON" or "Auto" position, respectively.

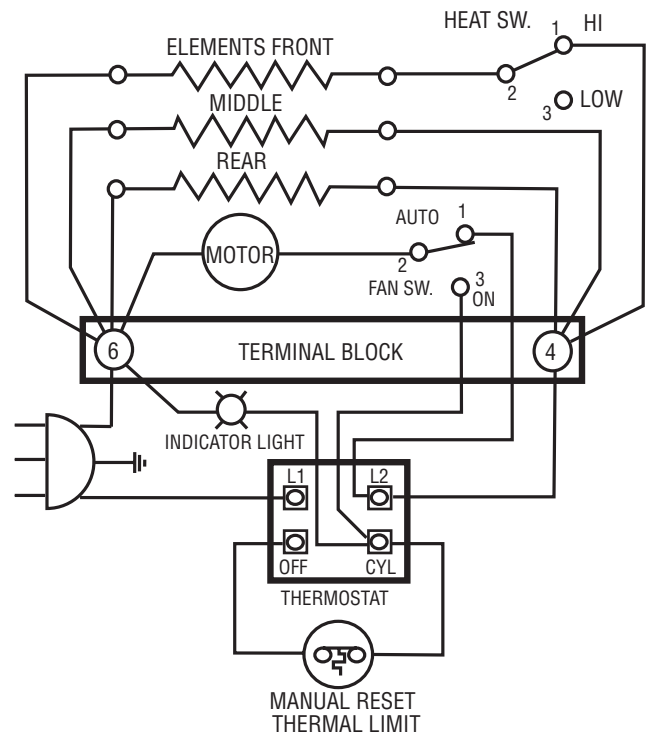


Figure 3

Note: For summer cooling, put the unit into its Operating Mode by turning the thermostat clockwise from its OFF position to its lowest setting. The indicator light will come ON. Turn the fan selector switch to ON position. The fan will run continuously with not heat. If the thermostat is adjusted to demand for heat the fan will run continuously after this demand is satisfied and the element are turned OFF. In the AUTO position of the fan selector switch, the fan will come ON and OFF with the heating elements.

MAINTENANCE INSTRUCTIONS

1. This heater does not require any routine maintenance other than occasional cleaning to prevent clogging of intake grille opening.
2. The motor is permanently lubricated.
3. Before cleaning heater, turn thermostat off and remove plug from electrical outlet.
4. Use a soft cloth for dusting. If heater is used in a very dusty location, use a vacuum cleaner dust brush or compressed air to remove dust and other foreign material from the grilles.
5. For cleaning use only a damp rag and nonabrasive dish detergent. Do not use abrasive or chemical cleaners as these may harm the finish.
6. Always unplug cord and wrap around heater when not in use. Move floor mounted heaters to a safe location for storage.

To Reset Safety Thermal Limit Control

Your heater is equipped with a manual reset safety thermal limit control that will automatically turn the heater off to prevent a fire if the heater overheats. This control is located on front of the heater just above the thermostat and is marked "PUSH TO RESET". To reset, allow the heater to cool then simply push the red button in until it snaps. The heater should immediately return to normal operation.

CAUTION

OPERATION OF THE SAFETY THERMAL LIMIT CONTROL INDICATES THE HEATER HAS BEEN SUBJECTED TO SOME ABNORMAL CONDITION. IT IS RECOMMENDED THAT THE HEATER BE CHECKED BY A REPUTABLE ELECTRICIAN OR REPAIR SERVICE TO INSURE THE HEATER HAS NOT BEEN DAMAGED.

This heater is for use on 240 or 208 volts. The cord has a plug as shown in Figure 4. No adapter is available for this blade configuration, and none should be used. The type outlet is a 240 (or 208) volt grounding outlet. When properly installed, it provides a ground connection through the cord to the heater to protect the operator from electric shock.

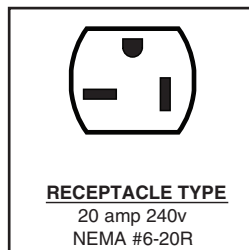
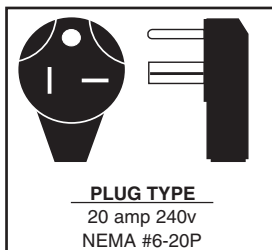
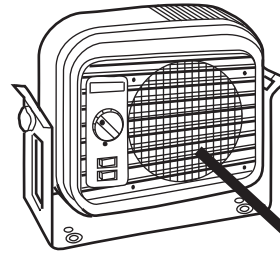


Figure 4



NAMEPLATE

MODEL NO. **NPH4ABA**
PORTABLE HEATER

DATE CODE **0207**

VOLTS AC	WATTS		AMPS	
	HI	LO	HI	LO
240	4000	2660	16.7	11.1
220	3360	2240	15.3	10.2
208	3000	2000	14.4	9.6



CAUTION: UNPLUG BEFORE SERVICING.
CAUTION: DO NOT OPERATE WITHOUT STAND.

ATTENTION: NE FAITES PAS FONCTIONNER
ATTENTION: LE RADIATEUR SANS SOCLE.

MARLEY ENGINEERED PRODUCTS
BENNETTSVILLE, SC 29512

4104-2099-002

LIMITED WARRANTY

All products manufactured by Marley Engineered Products are warranted against defects in workmanship and materials for one year from date of installation, except heating elements which are warranted against defects in workmanship and materials for five years from date of installation. This warranty does not apply to damage from accident, misuse, or alteration; nor where the connected voltage is more than 5% above the nameplate voltage; nor to equipment improperly installed or wired or maintained in violation of the product's installation instructions. All claims for warranty work must be accompanied by proof of the date of installation.

The customer shall be responsible for all costs incurred in the removal or reinstallation of products, including labor costs, and shipping costs incurred to return products to Marley Engineered Products Service Center. Within the limitations of this warranty, inoperative units should be returned to the nearest Marley authorized service center or the Marley Engineered Products Service Center, and we will repair or replace, at our option, at no charge to you with return freight paid by Marley. It is agreed that such repair or replacement is the exclusive remedy available from Marley Engineered Products.

THE ABOVE WARRANTIES ARE IN LIEU OF ALL OTHER WARRANTIES EXPRESSED OR IMPLIED, AND ALL IMPLIED WARRANTIES OF MERCHANTABILITY AND FITNESS FOR A PARTICULAR PURPOSE WHICH EXCEED THE AFORESAID EXPRESSED WARRANTIES ARE HEREBY DISCLAIMED AND EXCLUDED FROM THIS AGREEMENT. MARLEY ENGINEERED PRODUCTS SHALL NOT BE LIABLE FOR CONSEQUENTIAL DAMAGES ARISING WITH RESPECT TO THE PRODUCT, WHETHER BASED UPON NEGLIGENCE, TORT, STRICT LIABILITY, OR CONTRACT.

Some states do not allow the exclusion or limitation of incidental or consequential damages, so the above exclusion or limitation may not apply to you. This warranty gives you specific legal rights, and you may also have other rights which vary from state to state.

For the address of your nearest authorized service center, contact Marley Engineered Products in Bennettsville, SC, at 1-800-642-4328. Merchandise returned to the factory must be accompanied by a return authorization and service identification tag, both available from Marley Engineered Products. When requesting return authorization, include all catalog numbers shown on the products.

HOW TO OBTAIN WARRANTY SERVICE AND WARRANTY PARTS PLUS GENERAL INFORMATION

- | | |
|--------------------------------|---|
| 1. Warranty Service or Parts | 1-800-642-4328 |
| 2. Purchase Replacement Parts | 1-800-654-3545 |
| 3. General Product Information | www.marleymep.com |

Note: When obtaining service always have the following:

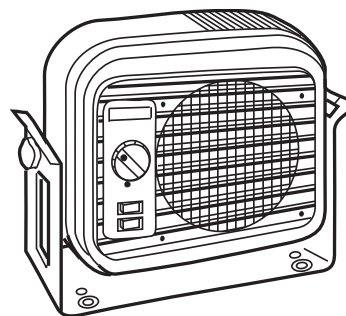
1. Model number of the product
2. Date of manufacture
3. Part number or description



Marley[®]
Engineered Products

470 Beauty Spot Rd. East
Bennettsville, SC 29512 USA

FAHRENHEAT.



Modelo NPH4ABA Calefactor portátil

Instrucciones de instalación, utilización y mantenimiento

INSTRUCCIONES IMPORTANTES



PRECAUCION
RIESGO DE DESCARGA ELECTRICA
NO ABRIR
PIEZAS SERVICIBLES



ADVERTENCIAS PARA REDUCIR EL RIESGO DE INCENDIO

Cuando se utilizan aparatos eléctricos, siempre deben seguirse precauciones básicas para reducir el riesgo de incendio, descargas eléctricas y lesiones a personas, entre ellas las siguientes:

1. Lea todas las instrucciones antes de utilizar este calefactor.
2. Tome precauciones extremas cuando el calefactor sea usado por o cerca de niños o personas con problemas motrices y siempre que el calefactor se deje en funcionamiento sin vigilancia.
3. No lo use al aire libre.
4. Este calefactor no está diseñado para usar en baños, lavaderos y otros lugares interiores similares. Nunca coloque el calefactor donde se pueda caer en una bañera o en un recipiente con agua.
5. Si el calefactor se usa en lugares húmedos, como sótanos o garajes, es necesario conectarlo a un circuito protegido por un interruptor de falla a tierra. Este calefactor no es adecuado para su uso en lugares húmedos o muy húmedos.
6. Para desconectar el calefactor, apague el control y luego desconecte el enchufe de la toma de corriente. Siempre desconecte el calefactor cuando no esté en uso.
7. Conecte el calefactor únicamente a una toma de corriente con una puesta a tierra adecuada.
8. No inserte ni permita que ningún objeto extraño penetren en las aberturas de entrada o salida de aire del calefactor pues se podría producir una descarga eléctrica, un incendio o averías en el calefactor.
9. Utilice este calefactor únicamente como se describe en este manual. Cualquier otro uso no recomendado por el fabricante puede causar incendios, descargas eléctricas o lesiones personales.
10. Verifique que el voltaje y el amperaje indicados en la parte posterior del calefactor coinciden con el servicio eléctrico suministrado.
11. No utilice el calefactor si no está apoyado en su soporte.
12. Si el calefactor será montado en la pared o el techo, los elementos de fijación deben ser lo suficientemente resistentes para soportar el peso total del calefactor más el de las fijaciones. El calefactor podría caerse si los elementos de fijación no están bien asegurados a la estructura del edificio.
13. Este calefactor se calienta cuando está en uso. Para evitar quemaduras, no toque las superficies calientes. Utilice las asas para mover este calefactor. Mantenga los materiales combustibles, tales como muebles, almohadas, ropa de cama, papeles, ropa y cortinas a más de 3 pies (0.9 m) de la parte delantera del calefactor y alejados de los costados y la parte trasera.
14. El calefactor tiene en su interior piezas calientes y que pueden producir arcos o chispas. No use el calefactor en lugares donde se utilizan o almacenan gasolina, pintura o líquidos inflamables.
15. No utilice el calefactor si el cable o el enchufe están deteriorados ni después de que haya sufrido desperfectos, caídas o cualquier otro tipo de daños. En estos casos, deseche el calefactor o envíelo al centro de servicio autorizado para su examen o reparación.
16. No coloque el cable del calefactor por debajo de las alfombras. No cubra el cable del calefactor con alfombras, tapetes o elementos similares. No coloque el cable del calefactor debajo de muebles u otros aparatos. Coloque el cable alejado de zonas transitadas y donde no se tropiece con él.
17. Para evitar un posible incendio, no obstruya las entradas o salidas de aire de ninguna manera. No utilice el calefactor sobre superficies blandas, como una cama, donde las entradas y salidas de aire puedan obstruirse.
18. Siempre conecte los calefactores directamente a una toma de corriente de pared, empotrada o exterior. Nunca utilice el calefactor conectado a un cable de extensión ni a tiras de tomas de corriente de extensión.
19. Revise el cable del calefactor y las conexiones del enchufe. Una conexión defectuosa en una toma de corriente o un enchufe flojo pueden causar un sobrecalentamiento en la toma de corriente o en el enchufe. Verifique que el enchufe esté firmemente insertado en la toma de corriente. Los calefactores utilizan más corriente que los electrodomésticos pequeños, por lo tanto, la toma de corriente se puede sobrecalentar aunque esto no haya ocurrido al usar otros aparatos. Si el enchufe o la toma de corriente (o su tapa), están CALIENTES, déjelos de usar y llame a un electricista matriculado para que revise o reemplace la toma de corriente defectuosa.

GUARDE ESTAS INSTRUCCIONES

INSTRUCCIONES DE MONTAJE

Generalidades

1. Si utiliza el calefactor en un taller, colóquelo alejado de equipos que generen aserrín de madera.
2. Si el calefactor está montado en la pared o el techo, es preciso enrollar el cable de alimentación o evitar de alguna otra manera que quede colgando.

Utilización del calefactor sobre el piso

El calefactor se entrega preparado para utilizarlo sobre el piso. Coloque el calefactor sobre el piso, u otra superficie firme y plana, e inserte el enchufe en una toma de corriente adecuada.

El calefactor se puede ajustar para dirigir la corriente de aire hacia donde usted desee. Para ello, basta con aflojar las perillas a cada lado del calefactor; a continuación, gire el calefactor a la posición deseada y vuelva a apretar ambas perillas.

Utilización del calefactor montado en la pared

VEA LA ADVERTENCIA N.º 12.

Este calefactor se puede montar en cualquier pared que soporte su peso. En primer lugar, retire el soporte de montaje del calefactor. A continuación, retire las cuatro arandelas de caucho del soporte. Asegure el soporte a los elementos estructurales de la pared con cuatro tornillos tirafondos de 1/4" de diámetro por 1-1/2" de largo. En paredes de mampostería utilice pernos metálicos de expansión o pernos acodados. Nunca utilice pernos de menos de 1/4" de diámetro.

Vuelva a colocar el calefactor en el soporte y apriete las perillas para asegurarlo en su lugar. Instale dos arandelas de caucho grandes entre el calefactor y el soporte, una a cada lado.

RECUERDE: El calefactor posee un cable de alimentación de 6 pies (1.8 m), por lo tanto, la toma de la alimentación eléctrica debe estar dentro del alcance del cable. Verifique que haya suficiente espacio para que el calefactor pueda pivotar y para alcanzar las perillas de ajuste.

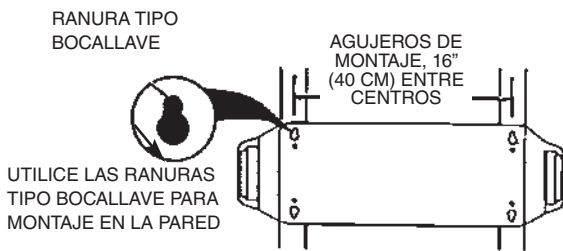


Figura 1

MONTAJE EN EL TECHO

Este calefactor se puede montar en cualquier techo que soporte su peso.

⚠️ ADVERTENCIA ⚠️

PARA EVITAR LA POSIBLE CAIDA DEL CALEFACTOR, NO USE LAS RANURAS TIPO BOCALLAVE PARA EL MONTAJE EN EL TECHO. VEA TAMBIÉN LA ADVERTENCIA N.º 13.

En primer lugar, retire el soporte de montaje del calefactor. A continuación, retire las cuatro arandelas de caucho del soporte. Asegure el soporte a los miembros estructurales del techo con cuatro pernos de 1/4" de diámetro (no provistos). En vigas de madera, use tornillos tirafondos de 1-1/2" de largo. En vigas de acero, use tornillos mecánicos asegurados con tuercas y arandelas de presión. Nunca utilice pernos de menos de 1/4" de diámetro.

Vuelva a colocar el calefactor en el soporte y apriete las perillas para asegurarlo en su lugar. Instale dos arandelas de caucho grandes entre el calefactor y el soporte, una a cada lado.

RECUERDE: El calefactor posee un cable de alimentación de 6 pies (1.8 m), por lo tanto, la toma de la alimentación eléctrica debe estar dentro del alcance del cable. Verifique que haya suficiente espacio para que el calefactor pueda pivotar y para alcanzar las perillas de ajuste.

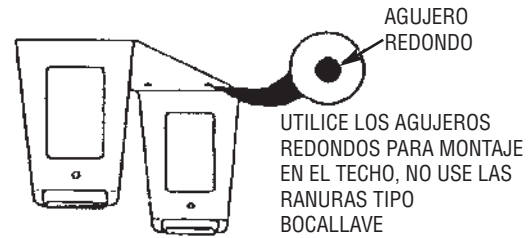


Figura 2

INSTRUCCIONES DE USO:

1. Para utilizar el calefactor, seleccione primero la posición alta (HI) o baja (LOW) en el interruptor selector de calor (HEAT); a continuación, gire la perilla del termostato a la derecha, hasta el final de su recorrido.
2. La luz indicadora se encenderá y permanecerá encendida mientras el calefactor esté en funcionamiento.
3. Cuando el ambiente alcance la temperatura deseada, gire lentamente la perilla del termostato hasta que escuche un "clic".
4. Para apagar el calefactor, gire la perilla del termostato a la izquierda, hasta el final de su recorrido; el indicador se apagará.
5. El interruptor selector (FAN) del ventilador permite su funcionamiento de manera continua o cíclica, de acuerdo a que la posición seleccionada sea ON (Encendido) o AUTO (Automático) respectivamente.

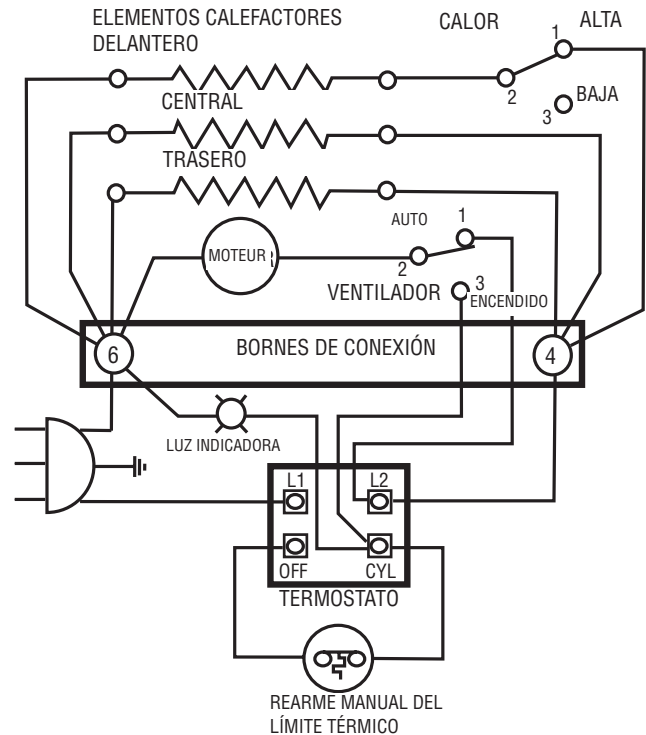


Figura 3

Nota: Para usar la unidad como ventilador en el verano, gire la perilla del termostato a la derecha, desde su posición OFF (Apagado) hasta el final de su recorrido. La luz indicadora se encenderá. Gire el interruptor selector del ventilador a la posición ON (Encendido). El ventilador funcionará continuamente sin producir calor. Si el termostato está ajustado para producir calor, el ventilador funcionará continuamente hasta satisfacer la demanda de calor y el elemento calefactor se apagará. Si el interruptor selector del ventilador está en la posición AUTO, el ventilador se encenderá y se apagará junto con los elementos calefactores.

INSTRUCCIONES DE MANTENIMIENTO

1. Este calefactor no requiere de ningún mantenimiento periódico aparte de la limpieza ocasional para evitar la obstrucción de los orificios de la rejilla de la entrada de aire.
2. El motor está permanentemente lubricado.
3. Antes de limpiar el calefactor, apague el termostato y desconecte el enchufe de la toma de corriente.
4. Utilice un paño suave para quitar el polvo. Si el calefactor se utiliza en un lugar con mucho polvo, límpielo con una aspiradora o con aire comprimido para eliminar el polvo y otros materiales extraños de las rejillas.
5. Para la limpieza use solo un trapo húmedo y detergente para lavavajillas no abrasivo. No use limpiadores abrasivos o químicos pues pueden dañar el acabado.
6. Siempre que no utilice el calefactor desenchufe el cable y envuélvalo alrededor del aparato. Guarde los calefactores de piso en un lugar seguro.

Restablecimiento del control del límite térmico de seguridad

Su calefactor está equipado con un botón para restablecer manualmente el control del límite térmico de seguridad, el cual se activa automáticamente para evitar un incendio si el calefactor se calienta en exceso. Este control se encuentra en la parte delantera del aparato justo por encima del termostato, marcado con la leyenda PUSH TO RESET (PULSE PARA RESTABLECER). Para restablecer el funcionamiento del calefactor, deje que se enfríe y luego simplemente presione el botón rojo hasta que se trabaje. El calefactor debe comenzar a funcionar normalmente de inmediato.

PRECAUCIÓN



LA ACTIVACIÓN DEL CONTROL DEL LIMITE TÉRMICO DE SEGURIDAD INDICA QUE EL CALEFACTOR HA SIDO SOMETIDO A ALGUNA CONDICIÓN ANORMAL. SE RECOMIENDA QUE UN ELECTRICISTA MATRICULADO O EL SERVICIO DE REPARACIÓN REVISEN EL CALEFACTOR PARA ASEGURAR QUE NO HAYA SUFRIDO DAÑOS.

Este calefactor se debe conectar a una alimentación de 240 ó 208 voltios. El cable tiene un enchufe como se muestra en la Figura 4. No hay adaptadores disponibles para esta configuración de patillas, y ninguno debe ser utilizado. El calefactor se debe conectar a una toma de corriente de 240 ó 208 voltios con conexión a tierra. Si está correctamente instalado, el calefactor tendrá una conexión a tierra a través del cable de alimentación para proteger al usuario de una descarga eléctrica.

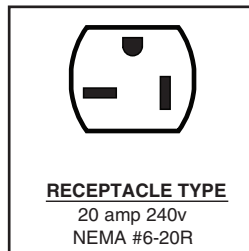
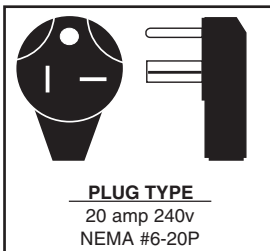
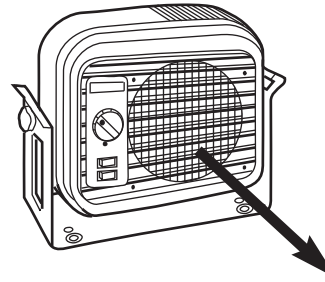


Figura 4



PLACA DE IDENTIFICACIÓN

MODEL NO. **NPH4ABA**
PORTABLE HEATER

DATE CODE **0207**

VOLTS AC	WATTS		AMPS	
	HI	LO	HI	LO
240	4000	2660	16.7	11.1
220	3360	2240	15.3	10.2
208	3000	2000	14.4	9.6



2F68 LISTED
MOVABLE HEATER

CAUTION: UNPLUG BEFORE SERVICING.
CAUTION: DO NOT OPERATE WITHOUT STAND.

ATTENTION: NE FAITES PAS FONCTIONNER
ATTENTION: LE RADIATEUR SANS SOCLE.

MARLEY ENGINEERED PRODUCTS
BENNETTSVILLE, SC 29512

4104-2099-002

GARANTIE LIMITÉE

Tous les produits fabriqués par Marley Engineered Products sont garantis contre les défauts de fabrication et de matériau pendant une année à compter de leur date d'installation, sauf les éléments chauffants, lesquels sont garantis contre les défauts de fabrication et de matériau pendant cinq ans à compter de la date d'installation. Cette garantie ne couvre pas les dommages causés par un accident, une mauvaise utilisation ou une altération et ne s'applique pas si la tension d'alimentation dépasse de 5% ou plus celle de la plaque signalétique, si l'équipement est mal installé, mal câblé ou mal entretenu, contrairement aux instructions d'installation et d'utilisation du produit. Toutes les réclamations sous garantie doivent être accompagnées d'une preuve de date d'installation.

Le client sera responsable de tous les coûts encourus pour enlever et réinstaller le produit, ce qui inclut les frais de main d'œuvre et les frais de port encourus pour retourner le produit au centre de réparation de la société Marley Engineered Products. Sous réserve des restrictions figurant dans cette garantie, tout appareil défectueux doit être retourné au centre de réparation agréé par Marley le plus près ou au centre de réparation de la société Marley Engineered Products. Il sera ensuite gratuitement réparé ou remplacé, à notre discrétion, et les frais de port de retour seront pris en charge par Marley. Il est entendu que cette réparation ou ce remplacement constitue le seul et unique recours disponible auprès de la société Marley Engineered Products.

LA GARANTIE CI-DESSUS REMPLACE ET PRÉVAUT SUR TOUTE AUTRE GARANTIE EXPRESSE OU IMPLICITE ET TOUTE GARANTIE IMPLICITE DE COMMERCIALISATION OU DE CONVENANCE À UN USAGE QUELCONQUE ALLANT AU-DELÀ DE LA GARANTIE EXPRESSE CI-DESSUS EST PAR LES PRÉSENTES RÉFUTÉE ET EXCLUE DE CETTE ENTENTE. LA SOCIÉTÉ MARLEY ENGINEERED PRODUCTS NE PEUT SOUS AUCUNE CIRCONSTANCE ÊTRE RESPONSABLE DE QUELQUE DOMMAGE ACCESSOIRE ASSOCIÉ À CE PRODUIT, SANS QU'IL SOIT POSSIBLE D'INVOQUER UNE NÉGLIGENCE, UN DÉLIT CIVIL, UNE RESPONSABILITÉ STRICTE OU UNE OBLIGATION CONTRACTUELLE.

Puisque certaines juridictions interdisent d'exclure ou de limiter les dommages indirects et accessoires, il est possible que les exclusions et restrictions ci-dessus ne s'appliquent pas à vous. Cette garantie vous accorde des droits juridiques spécifiques, mais il est possible que vous ayez également d'autres droits selon votre lieu de résidence.

Pour connaître l'adresse du centre de réparation agréé le plus près, contactez la société Marley Engineered Products à Bennettsville (Caroline du Sud) au 1-800-642-4328. Les produits retournés à l'usine doivent être accompagnés d'un numéro d'autorisation de retour et d'une étiquette d'identification de service, tous deux disponibles auprès de la société Marley Engineered Products. Lorsque vous demandez une autorisation de retour, indiquez tous les numéros de catalogue indiqués sur les produits.

POUR OBTENIR UNE RÉPARATION OU DES PIÈCES SOUS GARANTIE, DE MÊME QUE DES INFORMATIONS GÉNÉRALES

- | | |
|--|--|
| 1. Réparations et pièces sous garantie | 1-800-642-4328 |
| 2. Achat de pièces de rechange | 1-800-654-3545 |
| 3. Informations générales sur les produits | www.marlymep.com |

Remarque : Lorsque vous demandez une intervention, ayez toujours en main les informations suivantes :

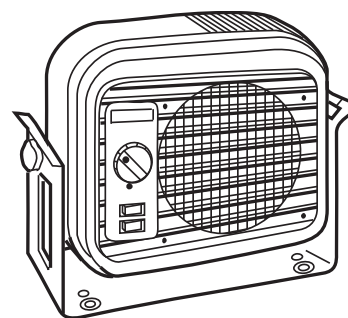
1. Numéro de modèle du produit
2. Date de fabrication
3. Numéro de pièce ou description



Marley[®]
Engineered Products

470 Beauty Spot Rd. East
Bennettsville, SC 29512 USA

FAHRENHEAT.



Modèle NPH4ABA Radiateur portable

Instructions d'installation, d'utilisation et d'entretien

INSTRUCTIONS IMPORTANTES



ATTENTION
RISQUE DE CHOC ÉLECTRIQUE
NE PAS OUVRIR
PAS DE PIÈCES UTILISABLES PAR
L'UTILISATEUR À L'INTÉRIEUR



AVERTISSEMENT – POUR RÉDUIRE LE RISQUE DE DÉPART D'INCENDIE

Lors de l'utilisation d'appareils électriques, des précautions de base doivent toujours être suivies afin de réduire le risque de départ d'incendie, de commotion électrique et de blessures aux personnes, incluant celles qui suivent :

1. Lisez toutes les instructions avant d'installer ou d'utiliser ce radiateur.
2. Il faut faire très attention quand un radiateur quelconque est utilisé par des enfants ou des personnes invalides ou près d'eux, et à chaque fois que le radiateur est laissé en marche sans surveillance.
3. Ne l'utilisez pas à l'extérieur.
4. Le radiateur n'est pas prévu pour une utilisation dans des salles d'eau, des buanderies ou des pièces d'intérieur similairement humides. Ne placez jamais le radiateur à un emplacement d'où il pourrait tomber dans une baignoire ou un autre conteneur avec de l'eau.
5. Une protection par disjoncteur sur fuite de terre est nécessaire si le chauffage est utilisé dans des zones humides comme des sous-sols ou des garages. L'appareil ne convient pas à une utilisation dans des lieux mouillés ou très humides.
6. Pour couper le radiateur, mettez sa commande à l'arrêt, puis débranchez sa fiche de la prise secteur. Débranchez toujours le radiateur quand il n'est pas en utilisation.
7. Ne le branchez que sur des prises secteur reliées à la terre.
8. N'insérez pas d'objets étrangers, et ne permettez pas qu'il en entre, dans toute ouverture d'admission ou d'évacuation, car cela peut causer une commotion électrique ou un départ d'incendie, ou endommager le radiateur.
9. N'utilisez ce radiateur que comme c'est décrit dans ce manuel. Toute autre utilisation non recommandée par le constructeur peut causer un départ d'incendie, une commotion électrique ou des blessures corporelles.
10. Vérifiez la tension et l'ampérage à l'arrière du chauffage pour vous assurer de la conformité de l'alimentation électrique disponible.
11. Ne faites pas fonctionner le radiateur sans son pied de support.
12. Quand le radiateur doit être monté sur un mur ou un plafond, les moyens d'ancrage doivent être assez solides pour supporter le poids total du radiateur plus les dispositifs de montage. Ne pas renforcer correctement les éléments d'ossature de la structure du bâtiment peut faire que le chauffage tombera.
13. Ce radiateur est chaud quand il est en fonctionnement. Pour éviter des brûlures, ne laissez pas de peau nue toucher ses surfaces chaudes. Utilisez les poignées pour déplacer ce radiateur. Maintenez les matières combustibles comme le mobilier, les oreillers, la literie, les papiers, les vêtements et les couvertures, à au moins 3 pieds (90 cm) de distance de l'avant du radiateur, et éloignez-les aussi des côtés et de l'arrière.
14. Un radiateur comporte à l'intérieur des parties chaudes, et pouvant produire un arc ou des étincelles électriques. Ne l'utilisez pas dans des zones où de l'essence ou des liquides inflammables sont utilisés ou entreposés.
15. Ne faites fonctionner aucun radiateur avec son cordon ou sa fiche secteur en mauvais état, ou après avoir présenté des dysfonctionnements, être tombé ou avec subi de quelconques dommages. Mettez le radiateur au rebut, ou retournez-le à un centre de service agréé pour un examen et/ou une réparation.
16. Ne faites pas passer le cordon d'alimentation sous un tapis. Ne recouvrez pas le cordon avec des carpettes, des passages ou d'autres camouflages. Ne faites pas passer le cordon sous des meubles ou des appareils. Disposez le cordon hors de la zone de trafic et à un endroit où il ne fera pas trébucher.
17. Pour éviter un possible départ d'incendie, n'obstruez en aucune façon les admissions et les échappements d'air. Ne l'utilisez pas sur des surfaces molles, comme un lit, où des ouvertures pourraient être obstruées.
18. Branchez toujours les radiateurs directement dans une prise secteur murale. Ne les utilisez jamais avec un cordon de rallonge ou un boîtier/une barrette de prises relocalisable.
19. Vérifiez le cordon d'alimentation et les connexions de sa fiche. De mauvaises connexions sur une prise secteur murale ou une fiche lâche peuvent causer un sur-échauffement de la prise ou de la fiche. Assurez-vous que la fiche est tenue fermement dans la prise. Les radiateurs tirent plus de courant que des petits appareils, donc une surchauffe de la prise peut arriver même si cela ne s'était pas produit avec d'autres appareils. Si les contacts ou la plaque de face de la prise sont CHAUDS, arrêtez l'utilisation et faites vérifier/remplacer la prise dangereuses par un électricien qualifié.

CONSERVEZ CES INSTRUCTIONS

INSTRUCTIONS DE MONTAGE

GÉNÉRALITÉS

1. Dans des ateliers, placez le radiateur à distance des sources de poussière de bois.
2. Quand le radiateur est monté sur un mur ou un plafond, des dispositions doivent être prises pour regrouper le cordon d'alimentation ou éviter d'une quelconque façon qu'il ne pendouille.

Montage au sol

Ce radiateur, à la réception, est assemblé pour un montage au sol. Placez le radiateur sur le sol ou une autre surface plane, et insérez sa fiche dans une prise murale adéquate.

Le radiateur peut être réglé pour rediriger l'écoulement d'air. Pour le faire, desserrez simplement le bouton de chaque côté du radiateur, puis faites-le pivoter en position voulue, et resserrez les boutons.

Montage au mur

VOYEZ L'AVERTISSEMENT N° 12.

Ce radiateur peut se monter sur n'importe quel mur qui supportera son poids. Commencez par enlever le pied de support du radiateur, puis ôtez quatre œilletons en caoutchouc du pied. Fixez le pied sur des éléments d'ossature du mur avec quatre tire-fond de diamètre 1/4" et longueur 1-1/2" (non fournis). Dans des murs en maçonnerie utilisez des chevilles métalliques à expansion ou des boulons à barrette articulée. N'utilisez jamais de boulons de diamètre inférieur à 1/4".

Remplacez le radiateur sur le pied et serrez les boutons pour le maintenir en place. Deux grosses rondelles en caoutchouc se placent entre radiateur et pied, une de chaque côté.

N'OUBLIEZ PAS : La prise secteur doit être à portée du cordon d'alimentation de six pieds (1,8 m). Assurez-vous de laisser assez d'espace pour faire pivoter le radiateur et atteindre ses boutons d'ajustement.

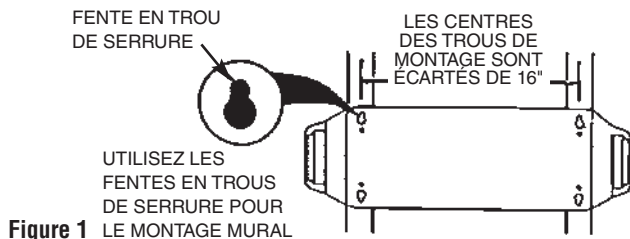


Figure 1

Montage au plafond

Ce radiateur peut se monter sur n'importe quel plafond qui supportera son poids.

AVERTISSEMENT

POUR ÉVITER UNE CHUTE POSSIBLE DU RADIATEUR, N'UTILISEZ PAS LES FENTES EN TROU DE SERRURE POUR UN MONTAGE AU PLAFOND. VOYEZ AUSSI L'AVERTISSEMENT N° 13.

Commencez par enlever le pied de support du radiateur, puis ôtez quatre œilletons en caoutchouc du pied. Fixez le pied sur des éléments d'ossature du plafond avec quatre boulons de diamètre 1/4" (non fournis). Dans une solive en bois utilisez des tire-fond de longueur 1-1/2". Dans des poutres en acier, utilisez des boulons mécaniques avec des écrous et des rondelles de sécurité. N'utilisez jamais de boulons de diamètre inférieur à 1/4".

Remplacez le radiateur sur le pied et serrez les boutons pour le maintenir en place. Deux grosses rondelles en caoutchouc se placent entre radiateur et pied, une de chaque côté.

N'OUBLIEZ PAS: La prise secteur doit être à portée du cordon d'alimentation de six pieds (1,8 m). Assurez-vous de laisser assez d'espace pour faire pivoter le radiateur et atteindre ses boutons d'ajustement.

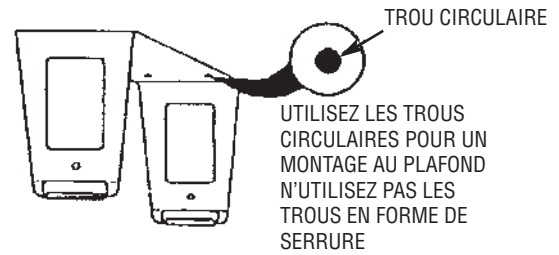


Figure 2

INSTRUCTIONS D'UTILISATION

1. Pour faire fonctionner le radiateur, commencez par sélectionner le régime fort ou faible au sélecteur de chauffe, puis tournez le bouton du thermostat à fond en sens horaire.
2. Le voyant indicateur va s'allumer et le rester aussi longtemps que le radiateur est en mode de fonctionnement.
3. Quand la température de la pièce aura atteint le niveau voulu, tournez lentement le bouton du thermostat en sens antihoraire jusqu'à l'audition d'un déclic.
4. Pour arrêter le chauffage, tournez le bouton du thermostat à fond en sens antihoraire jusqu'à l'extinction du voyant indicateur.
5. Le sélecteur de mode de ventilation permet de faire commuter le fonctionnement entre continu et par cycles, en choisissant respectivement les positions "ON" ou "Auto".

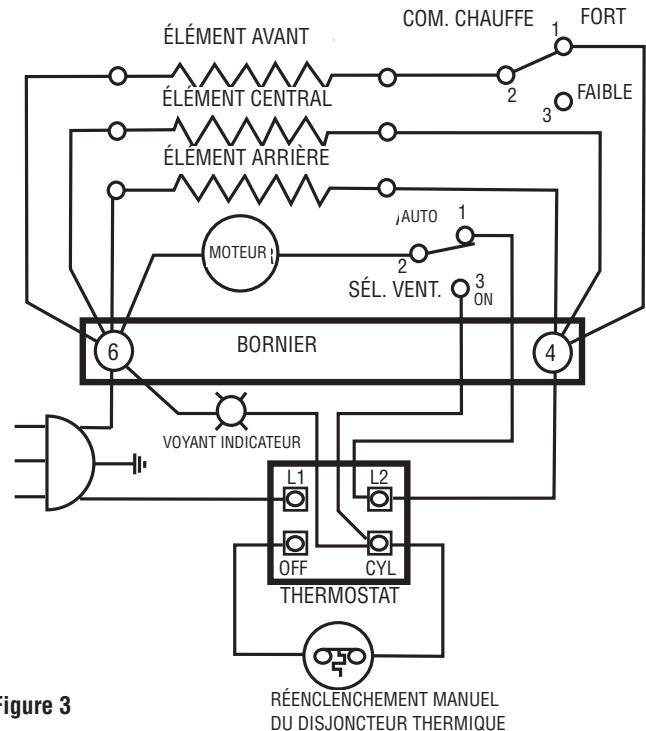


Figure 3

Remarque: Pour du rafraîchissement en été, mettez l'unité en mode de fonctionnement mais en tournant la commande de son thermostat en sens horaire depuis la position d'arrêt (OFF) sur son réglage le plus bas. Le voyant indicateur va s'allumer. Passez le sélecteur de ventilation en position ON. Le ventilateur va tourner en permanence sans qu'il y ait de chauffe. Si le thermostat a été réglé pour demander de la chaleur, le ventilateur va continuer de tourner une fois la demande de chauffe satisfaite et après la désactivation des éléments. En position Auto du sélecteur de ventilation, le ventilateur va s'activer et se désactiver en même temps que les éléments de chauffe.

INSTRUCTIONS D'ENTRETIEN

1. Ce radiateur ne demande aucun entretien de routine autre qu'un nettoyage occasionnel pour éviter une obstruction de l'ouverture de grille d'admission.
2. Le moteur est lubrifié à vie.
3. Avant de nettoyer le radiateur, arrêtez-le à la commande du thermostat et débranchez-le de la prise secteur.
4. Utilisez un chiffon pour dépoussiérer. Si le radiateur est utilisé dans un endroit très poussiéreux, utilisez l'accessoire de brosse sur un aspirateur ou de l'air comprimé pour éliminer la poussière et d'autres matières étrangères des grilles.
5. Pour le nettoyage, n'utilisez qu'un chiffon imbibé avec une solution de détergent pour vaisselle. N'utilisez pas de produits nettoyants abrasifs ou chimiques qui pourraient endommager la finition.
6. Débranchez toujours le cordon d'alimentation et enroulez-le autour du radiateur quand il n'est pas en fonctionnement. Amenez les radiateurs montés au sol dans un lieu sûr pour les entreposer.

Réenclenchement du disjoncteur thermique de sécurité

Votre radiateur est équipé d'un dispositif de protection, réenclenchable manuellement, qui coupe automatiquement le radiateur pour éviter un départ d'incendie en cas de surchauffe. Ce disjoncteur est situé à l'avant du radiateur, juste au-dessus du thermostat, avec la mention "PUSH TO RESET" (Pousser pour réenclencher). Pour relancer après une coupure, laissez le radiateur refroidir puis poussez simplement sur le bouton rouge jusqu'à ce qu'il s'enclenche. Le radiateur doit immédiatement revenir en fonctionnement normal.

ATTENTION



LE DÉCLENCHEMENT DE CETTE PROTECTION THERMIQUE INDIQUE QUE LE RADIATEUR A ÉTÉ SOUMIS À UNE CONDITION ANORMALE. IL EST RECOMMANDÉ DE FAIRE VÉRIFIER LE RADIATEUR PAR UN BON ÉLECTRICIEN OU UN CENTRE DE RÉPARATION POUR S'ASSURER QU'IL NA PAS ÉTÉ ENDOMMAGÉ.

Ce radiateur est prévu pour être alimenté en 240 ou 208 volts. Son cordon comporte une fiche secteur comme montré en Figure 4. La prise secteur correspondante est en 240 (ou 208) volts avec liaison de terre. Quand le raccordement est bien réalisé, une liaison de terre est fournie par le cordon au radiateur, pour protéger l'opérateur d'une commotion électrique éventuelle.

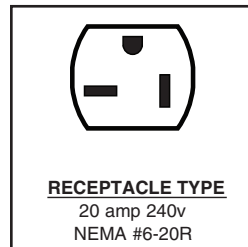
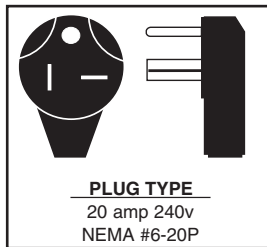
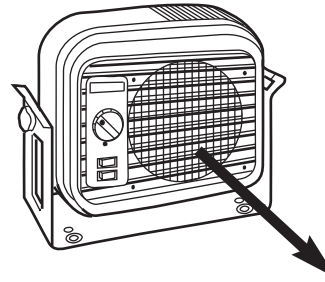


Figure 4



PLAQUE SIGNALÉTIQUE

MODEL NO. **NPH4ABA**
PORTABLE HEATER

DATE CODE **0207**

VOLTS AC	WATTS		AMPS	
	HI	LO	HI	LO
240	4000	2660	16.7	11.1
220	3360	2240	15.3	10.2
208	3000	2000	14.4	9.6



2F68 LISTED
MOVABLE HEATER

CAUTION: UNPLUG BEFORE SERVICING.
CAUTION: DO NOT OPERATE WITHOUT STAND.

ATTENTION: NE FAITES PAS FONCTIONNER
ATTENTION: LE RADIATEUR SANS SOCLE.

MARLEY ENGINEERED PRODUCTS
BENNETTSVILLE, SC 29512

4104-2099-002

GARANTIE LIMITÉE

Tous les produits fabriqués par Marley Engineered Products sont garantis contre les défauts de fabrication et de matériau pendant une année à compter de leur date d'installation, sauf les éléments chauffants, lesquels sont garantis contre les défauts de fabrication et de matériau pendant cinq ans à compter de la date d'installation. Cette garantie ne couvre pas les dommages causés par un accident, une mauvaise utilisation ou une altération et ne s'applique pas si la tension d'alimentation dépasse de 5% ou plus celle de la plaque signalétique, si l'équipement est mal installé, mal câblé ou mal entretenu, contrairement aux instructions d'installation et d'utilisation du produit. Toutes les réclamations sous garantie doivent être accompagnées d'une preuve de date d'installation.

Le client sera responsable de tous les coûts encourus pour enlever et réinstaller le produit, ce qui inclut les frais de main d'œuvre et les frais de port encourus pour retourner le produit au centre de réparation de la société Marley Engineered Products. Sous réserve des restrictions figurant dans cette garantie, tout appareil défectueux doit être retourné au centre de réparation agréé par Marley le plus près ou au centre de réparation de la société Marley Engineered Products. Il sera ensuite gratuitement réparé ou remplacé, à notre discrétion, et les frais de port de retour seront pris en charge par Marley. Il est entendu que cette réparation ou ce remplacement constitue le seul et unique recours disponible auprès de la société Marley Engineered Products.

LA GARANTIE CI-DESSUS REMPLACE ET PRÉVAUT SUR TOUTE AUTRE GARANTIE EXPRESSE OU IMPLICITE ET TOUTE GARANTIE IMPLICITE DE COMMERCIALISATION OU DE CONVENANCE À UN USAGE QUELCONQUE ALLANT AU-DELÀ DE LA GARANTIE EXPRESSE CI-DESSUS EST PAR LES PRÉSENTES RÉFUTÉE ET EXCLUE DE CETTE ENTENTE. LA SOCIÉTÉ MARLEY ENGINEERED PRODUCTS NE PEUT SOUS AUCUNE CIRCONSTANCE ÊTRE RESPONSABLE DE QUELQUE DOMMAGE ACCESSOIRE ASSOCIÉ À CE PRODUIT, SANS QU'IL SOIT POSSIBLE D'INVOQUER UNE NÉGLIGENCE, UN DÉLIT CIVIL, UNE RESPONSABILITÉ STRICTE OU UNE OBLIGATION CONTRACTUELLE.

Puisque certaines juridictions interdisent d'exclure ou de limiter les dommages indirects et accessoires, il est possible que les exclusions et restrictions ci-dessus ne s'appliquent pas à vous. Cette garantie vous accorde des droits juridiques spécifiques, mais il est possible que vous ayez également d'autres droits selon votre lieu de résidence.

Pour connaître l'adresse du centre de réparation agréé le plus près, contactez la société Marley Engineered Products à Bennettsville (Caroline du Sud) au 1-800-642-4328. Les produits retournés à l'usine doivent être accompagnés d'un numéro d'autorisation de retour et d'une étiquette d'identification de service, tous deux disponibles auprès de la société Marley Engineered Products. Lorsque vous demandez une autorisation de retour, indiquez tous les numéros de catalogue indiqués sur les produits.

POUR OBTENIR UNE RÉPARATION OU DES PIÈCES SOUS GARANTIE, DE MÊME QUE DES INFORMATIONS GÉNÉRALES

- | | |
|--|--|
| 1. Réparations et pièces sous garantie | 1-800-642-4328 |
| 2. Achat de pièces de rechange | 1-800-654-3545 |
| 3. Informations générales sur les produits | www.marlymep.com |

Remarque : Lorsque vous demandez une intervention, ayez toujours en main les informations suivantes :

1. Numéro de modèle du produit
2. Date de fabrication
3. Numéro de pièce ou description



Marley[®]
Engineered Products

470 Beauty Spot Rd. East
Bennettsville, SC 29512 USA