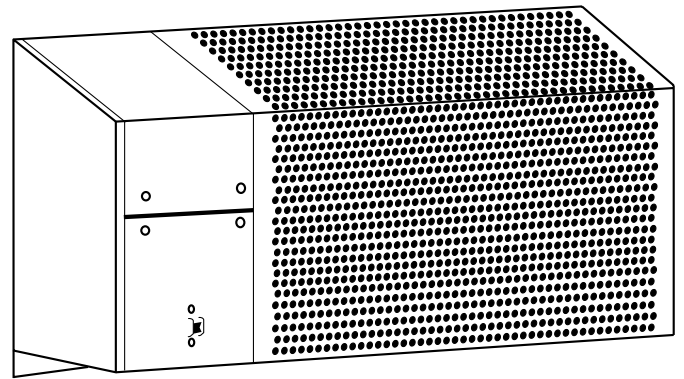




**Marley**  
Engineered Products



**J Series (Model B)**  
**Institutional Convector**



FILE #E21609

*Installation & Maintenance Instructions*

Dear Owner,

*Congratulations! Thank you for purchasing this new heater manufactured by a division of Marley Engineered Products. You have made a wise investment selecting the highest quality product in the heating industry. Please carefully read and follow the installation and maintenance directions shown in this manual. You should enjoy years of efficient heating comfort with this product from Marley Engineered Products... the industry's leader in design, manufacturing, quality and service.*

*... The Employees of  
Marley Engineered Products*

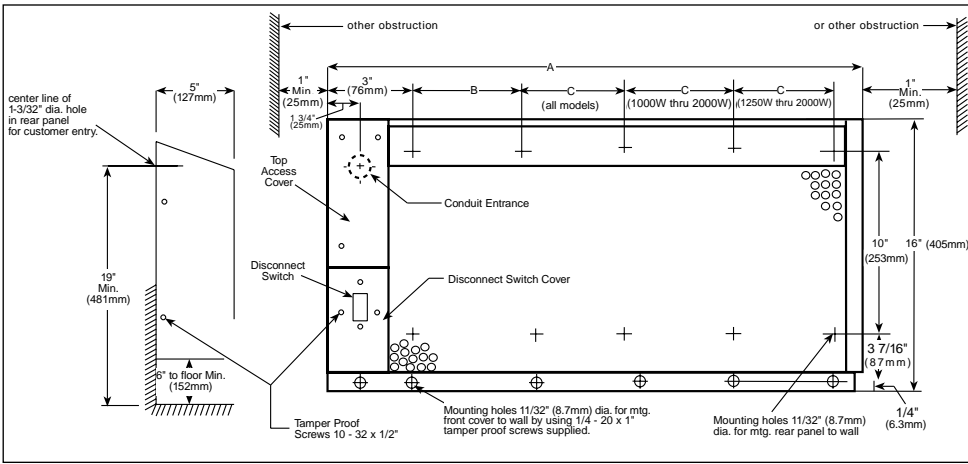
**WARNING**

**Read Carefully** - These instructions are written to help you prevent difficulties that might arise during installation of heaters. Studying the instructions first may save you considerable time and money later. Observe the following procedures, and cut your mounting time to a minimum.

1. To prevent electrical shock, disconnect all power coming to heater at main service panel before wiring or servicing.
2. All wiring must be in accordance with the National and Local Electrical Codes and the heater must be grounded as a precaution against possible electric shock.
3. Verify the power supply voltage coming to heater matches the ratings printed on the heater nameplate before energizing.
4. Do not insert or allow foreign objects to enter any ventilation

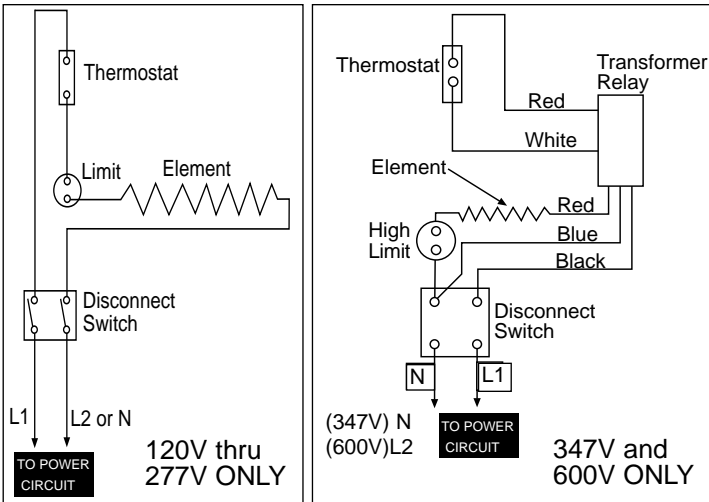
- or exhaust opening as this may cause an electric shock, fire, or damage to the heater.
5. To prevent a possible fire, do not block air intakes or exhaust in any manner. Keep combustible materials, such as boxes, crates, drapes, etc., away from heater.
6. A heater has hot and arcing or sparking parts inside. Do not use it in areas where gasoline, paint or flammable liquids are used or stored.
7. Use this heater only as described in this manual. Any other use not recommended by the manufacturer may cause fire, electric shock, or injury to persons.
8. This heater is not approved for use in hazardous atmospheres or corrosive atmospheres such as marine, green house or chemical storage areas.

**SAVE THESE INSTRUCTIONS**



WATTAGE	DIMENSIONS		
	A	B	C
400	24" 608mm	19.1" 485 mm	-
500	28" 709mm	11.5" 291mm	11.5" 291mm
750	36" 912mm	15.0" 380mm	16" 405mm
1000	48" 1216mm	14.3" 362mm	14.3" 362mm
1250	60" 1520mm	13.75" 348mm	13.75" 348mm
1500	72" 1824mm	16.75" 424mm	16.75" 424mm
2000	96" 2432mm	18" 456mm	18.25" 462mm

## Wiring Diagrams



## MOUNTING AND WIRING

**NOTE:** Electrical wiring is to be sized in accordance with National Electric Code and local codes using at least 75°C type RH, THW or equivalent insulated wire. See chart located on page 3 for amp. loads.

1. Locate on vertical wall with length of heater positioned horizontally.
2. When selecting a mounting location, the following minimum distances must be observed to insure proper operation.
  - a. Six (6") inches (152mm) from bottom of heater to floor.
  - b. One (1.5") inch (38mm) from wall or other obstruction to the right or left side of heater.
3. Do not mount heater in a recess, since such mounting interferes with free air circulation, increases temperature and prevents proper thermostat operation.

**NOTE:** Unit is shipped with non-tamper resistant screws securing front cover. Remove screws and discard.

4. Mount the rear panel assembly of the heater to the wall using the 11/32" (8.7mm) diameter holes (bolts and wall anchors to be supplied by customer).
5. Install the perforated cover by hooking the top edge of the cover over the top edge of rear panel.
6. Attach the bottom lip of the perforated cover to the wall using the 1/4 - 20 x 1" tamper proof screws provided (Wall anchors to be supplied by customer).

7. Electrical wiring must be brought into heater through 1-3/32" (27.8mm) diameter hole located in the rear panel.
8. Grounding conductor must be connected to the green pigtail lead.
9. Make the proper connections following the wiring diagram. Install disconnect switch cover assembly with (2) #8 x 5/8" tamper proof screws (provided).
10. Adjust thermostat to the desired setting. Install top access cover with (4) #8 x 5/8" tamper proof screws (provided).

## OPERATION AND MAINTENANCE

To assure efficient operation, follow the simple instructions listed below.

### TO CLEAN HEATER

DANGER

HAZARD OF ELECTRIC SHOCK. DISCONNECT ALL POWER BEFORE ATTEMPTING TO SERVICE THE HEATERS.

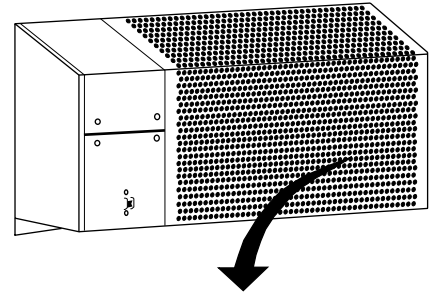
Because of the convection heating principle which depends upon a circulation of air through the finned element, dust particles will periodically be deposited between the fins, and should be removed occasionally for maximum efficiency of the heater. With front cover removed, a vacuum cleaner with proper attachments can easily be worked along the top and bottom of the finned element to clear it of dust deposits.

### TO REPAINT, IF DESIRED

The baked enamel finish was chosen to blend with interior decors. If you wish to repaint the heaters, use high quality household enamel. No primer is necessary. Do not use rubber base paint. Paint heater front cover only. Do not paint heating element.

## IMPORTANT INFORMATION

MODEL NO.	HEATER VOLTS	WATTS	AMPS	SHIPS WT.(lbs.)
J400B	120	400	3.3	40
J408B	208	400	1.9	40
J404B	240	400	1.7	40
J407B	277	400	1.4	40
J500B	120	500	4.2	45
J508B	208	500	2.4	45
J504B	240	500	2.1	45
J507B	277	500	1.8	45
J503B	347	500	1.4	45
J750B	120	750	6.3	55
J758B	208	750	3.6	55
J754B	240	750	3.1	55
J757B	277	750	2.7	55
J753B	347	750	2.2	55
J1000B	120	1000	8.3	65
J1008B	208	1000	4.8	65
J1004B	240	1000	4.4	65
J1007B	277	1000	3.6	65
J1003B	347	1000	2.9	65
J1006B	600	1000	1.7	65
J1250B	120	1250	10.4	80
J1258B	208	1250	6.0	80
J1254B	240	1250	5.2	80
J1257B	277	1250	4.5	80
J1253B	347	1250	3.6	80
J1256B	600	1250	2.1	80
J1500B	120	1500	12.5	95
J1508B	208	1500	7.2	95
J1504B	240	1500	6.3	95
J1507B	277	1500	5.4	95
J1503B	347	1500	4.3	95
J1506B	600	1500	2.5	95
J2008B	208	2000	9.6	130
J2004B	240	2000	8.3	130
J2007B	277	2000	7.2	130
J2003B	347	2000	5.8	130
J2006B	600	2000	3.3	130





**NAMEPLATE**

MODEL NO. **J757B**    DATECODE **0295**

**ROOM HEATER**  
**APPAREIL DE CHAUFFAGE**

**277 750 2.7**  
**VOLTS WATTS AMPS.**

774G LISTED  
ROOM HEATER

**MARLEY ENGINEERED PRODUCTS**  
**BENNETTSVILLE, SC 29512    4104-2150-010**

## LIMITED WARRANTY

All products manufactured by Marley Engineered Products are warranted against defects in workmanship and materials for one year from date of installation, except heating elements which are warranted against defects in workmanship and materials for five years from date of installation. This warranty does not apply to damage from accident, misuse, or alteration; nor where the connected voltage is more than 5% above the nameplate voltage; nor to equipment improperly installed or wired or maintained in violation of the product's installation instructions. All claims for warranty work must be accompanied by proof of the date of installation.

The customer shall be responsible for all costs incurred in the removal or reinstallation of products, including labor costs, and shipping costs incurred to return products to Marley Engineered Products Service Center. Within the limitations of this warranty, inoperative units should be returned to the nearest Marley authorized service center or the Marley Engineered Products Service Center, and we will repair or replace, at our option, at no charge to you with return freight paid by Marley. It is agreed that such repair or replacement is the exclusive remedy available from Marley Engineered Products.

THE ABOVE WARRANTIES ARE IN LIEU OF ALL OTHER WARRANTIES EXPRESSED OR IMPLIED. AND ALL IMPLIED WARRANTIES OF MERCHANTABILITY AND FITNESS FOR A PARTICULAR PURPOSE WHICH EXCEED THE AFORESAID EXPRESSED WARRANTIES ARE HEREBY DISCLAIMED AND EXCLUDED FROM THIS AGREEMENT. MARLEY ENGINEERED PRODUCTS SHALL NOT BE LIABLE FOR CONSEQUENTIAL DAMAGES ARISING WITH RESPECT TO THE PRODUCT, WHETHER BASED UPON NEGLIGENCE, TORT, STRICT LIABILITY, OR CONTRACT.

Some states do not allow the exclusion or limitation of incidental or consequential damages, so the above exclusion or limitation may not apply to you. This warranty gives you specific legal rights, and you may also have other rights which vary from state to state.

For the address of your nearest authorized service center, contact Marley Engineered Products in Bennettsville, SC, at 1-800-642-4328. Merchandise returned to the factory must be accompanied by a return authorization and service identification tag, both available from Marley Engineered Products. When requesting return authorization, include all catalog numbers shown on the products.

## HOW TO ORDER REPAIR PARTS

In order to obtain any needed repair or replacement parts, warranty service or technical information, please contact Marley Engineered Products toll-free by calling 1-800-642-HEAT.

When ordering repair parts, always give the information listed as follows:

1. The Part Number
2. The Model Number
3. The Part Description
4. Date of Manufacture

ECR 33823  
05/98



**Marley**  
Engineered Products

470 Beauty Spot Rd. East  
Bennettsville, SC 29512 USA