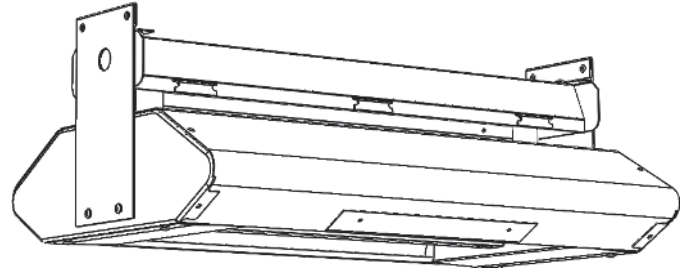




Marley

Engineered Products



Type RP2 & RS2 2 Element Infrared Heaters

FIXTURE SELECTION CHART

(Enclosure only - Select Appropriate Element from Element Selection Chart)

ENCLOSURE	REFLECTOR DESIGN				DIMENSIONS			
	30 DEG.	60 DEG.		90 DEG.	HEIGHT	WIDTH	LENGTH	WT.
	SYMMETRICAL	SYMMETRICAL	ASYMMETRICAL	SYMMETRICAL	in. (mm)	in. (mm)	in. (mm)	lbs. (kg)
PAINTED STEEL	RP223SB	RP226SB	RP226ASB	RP229SB	7.125 (181)	2.15 (381)	24 (610)	19 (8.6)
STAINLESS STEEL	RS223SB	RS226SB	RS226ASB	RS229SB			33 (838)	24 (10.9)
PAINTED STEEL	RP233SB	RP236SB	RP236ASB	RP239SB			46 (1168)	31 (14.1)
STAINLESS STEEL	RS233SB	RS236SB	RS236ASB	RS239SB				
PAINTED STEEL	RP243SB	RP246SB	RP246ASB	RP249SB				
STAINLESS STEEL	RS243SB	RS246SB	RS246ASB	RS249SB				

Installation Instructions



WARNING



Read Carefully – This instruction sheet contains vital information for the proper installation, use, and efficient operation of the heater described. Carefully read this manual before installation, cleaning, or operation of the heater. Failure to adhere to the instructions could result in fire, electrical shock, death, serious personal injury, or property damage. Save these instructions and review frequently for continuing safe operation and instructing future users.

CAUTION – TO REDUCE RISK OF FIRE AND ELECTRIC SHOCK:

1. Disconnect all power coming to the heater at main service panel before wiring, installing elements, servicing, or disassembling heater.
2. All wiring must be in accordance with local and National Electrical Codes and the heater must be grounded as a precaution against possible electrical shock.
3. Verify the power supply voltage coming to the heater matches the rating printed on the heater nameplate before energizing.

4. Supply wire coming to the heater must be rated at least 90 degrees C. **USE COPPER WIRE ONLY.**
5. Minimum clearances, as specified in Figure 1, must be maintained. Keep combustible material, such as boxes, crates, etc., away from heater.
6. This heater is not suitable for use in hazardous locations as described by the NFPA. Do not use in areas where paint, gasoline, or other flammable liquids are used or stored.
7. Do not use TYPE RP heaters in areas where corrosive agents are present, such as marine, green houses, or chemical storage areas. TYPE RS heaters are better suited for these applications.
8. The mounting structure and anchoring hardware must be capable of reliably supporting the total weight of the heater and all accessories used. See selection chart for heater weight.
9. This heater is intended for ceiling mounting (or wall mounting, with accessory –WMB Wall Mounting Bracket) only. Elements must be horizontal.

SAVE THESE INSTRUCTIONS

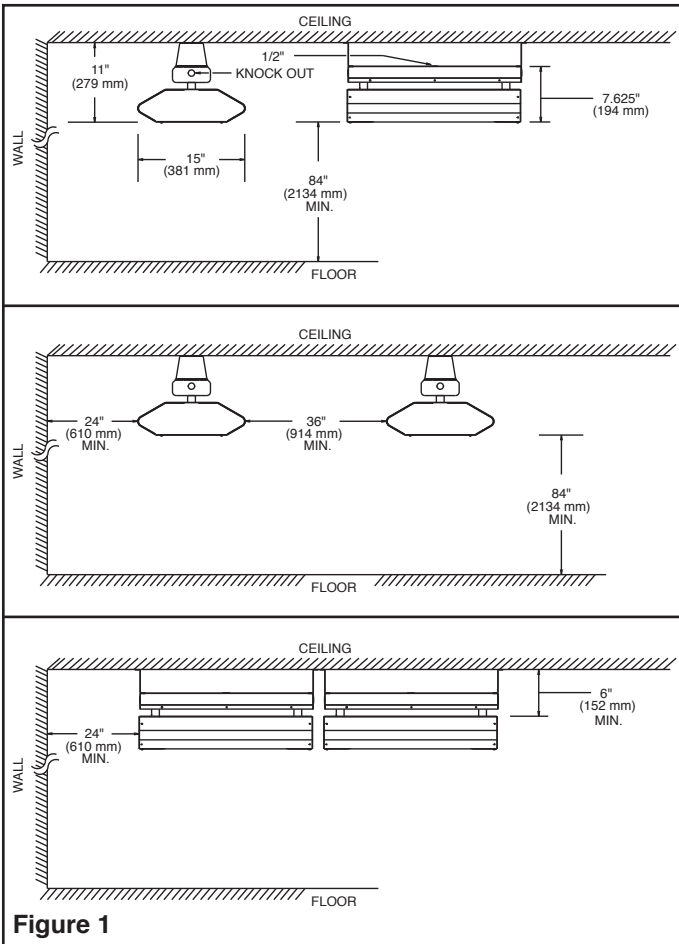
General

These heaters are designed for: Indoor chain or conduit mounting, or outdoor conduit mounting, or surface mounting, or recessed mounting.

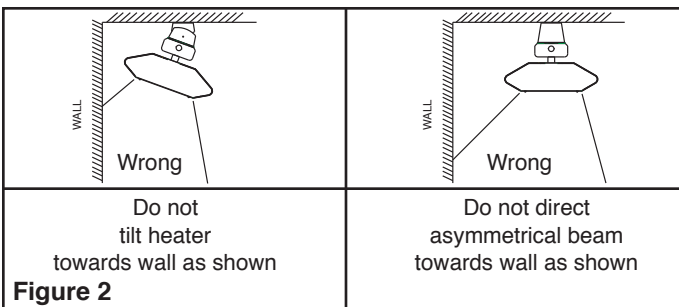
Mounting Limitations – Refer to Figure 1 for mounting limitations. Observe all minimum dimensions from ceiling, walls, floor, and combustible material.

Maintain minimum clearances of:

- 24" (610 mm) to vertical wall surfaces
- 36" (914 mm) between heaters mounted side by side. Heaters may be mounted end to end.
- 6" (152 mm) to ceiling
- 84" (2134 mm) to floor



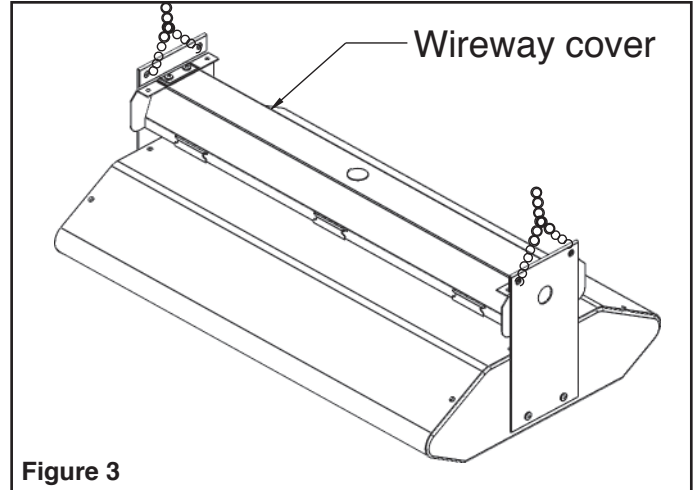
Refer to Figure 2. When heater is mounted the minimum distance to the wall, do not angle the heater toward the wall, and do not direct an asymmetrical heater toward the wall.



Heaters are designed for mounting only with elements horizontal, (for ceiling or wall mounting, used type RP-WMB or type RS-WMB wall mounting bracket.)

Refer to front page for additional important safety instructions.

Chain Mounting (Indoor only)

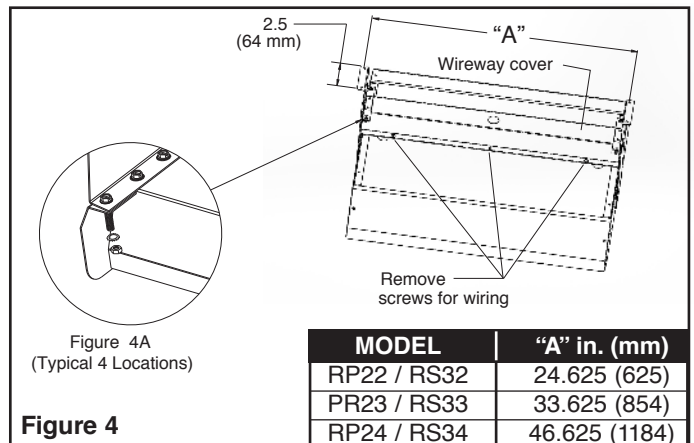


Refer to Figure 3 and proceed as follows. Conduit, connectors, chain loops and hooks are supplied by others in the following instructions.

1. Do not attach supplied surface mounting brackets.
2. Attach loop chains (not furnished) on each end of mounting bracket as shown in Figure 3.
3. Attach chains (not furnished) to ceiling at desired height above floor and connect to the center point of loop chains on wireway cover.
4. Remove screws (see Figure 3) from front of wireway cover and allow heater to rotate down for wiring.
5. Remove knockout from top or either end of wireway cover and install conduit connector and conduit.
6. Route supply wire to heater.
7. Proceed to wiring section (see Figure 6).

Surface Mounting (Indoor or Outdoor)

Refer to Figure 4 and proceed as follows.



Conduit, conduit connectors, and fasteners to secure heater to ceiling are supplied by others in the following instructions.

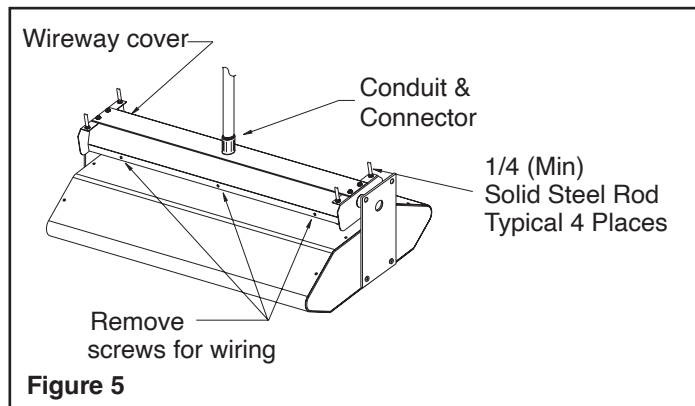
1. On a workbench or other flat surface, attach supplied mounting brackets to ends of wireway cover (see Figure 4A) using bolts, star washers, and nuts supplied.
2. Remove screws (see Figure 4) from front of wireway cover, rotate wireway cover back, and remove from wireway base.
3. Mount wireway cover/mounting brackets to ceiling and secure using fasteners (by others) sized to sufficiently support heater and any optional accessories used.
4. Remove knockout from top or either end of wireway cover and install conduit connector and conduit.
5. Route supply wire to heater.
6. Align "T" tabs on wireway base with slots in wireway cover and hang heater assembly on wireway cover. Allow to hang open.
7. Proceed to wiring section (see Figure 6).

Conduit Mounting (Indoor or Outdoor)

Refer to Figure 5 and proceed as follows.

Conduit and conduit connectors supplied by others in the following instructions.

1. Do not attach supplied surface mounting brackets.
2. Mount field supplied conduit to building structure, secure using fasteners (by others) sized to sufficiently support heater and any optional accessories used.
3. Route supply wire to heater.
4. Remove screws (see Figure 5) from front of wireway cover,



rotate wireway cover back, and remove from wireway base.

5. Remove knockout from top of wireway cover and attach wireway cover to conduit connector and conduit.
6. Align "T" tabs on wireway base with slots in wireway cover and hang heater assembly on wireway cover. Allow to hang open.
7. Proceed to wiring section (see Figure 6).

Wiring

WARNING
DO NOT OPERATE THE HEATER WITHOUT GROUND FAULT EQUIPMENT PROTECTION. FAILURE TO FOLLOW THESE INSTRUCTIONS CAN RESULT IN PERSONAL INJURY AND FIRE.

WARNING
UPON OPERATION, HEATING ELEMENTS SHOULD NOT BE CYCLED MORE THAN 5 TIMES PER HOUR. RAPID CYCLING OF HEATING ELEMENTS LEADS TO PERFORMANCE LOSS AND WILL CAUSE THE ELEMENTS TO FAIL.

Refer to Figure 6 and proceed as follows.

1. Connect heater wiring to power supply wiring as shown in Figure 6.
2. Connect the power supply ground wire to the heater green grounding lead wire.
3. Carefully fold the wires into the wiring compartment so they will not be pinched by the wiring compartment cover.
4. Pivot the heater assembly until the wiring compartment base rotates into place in the wiring compartment.
5. Secure the wiring compartment cover to the base with the screws removed previously.

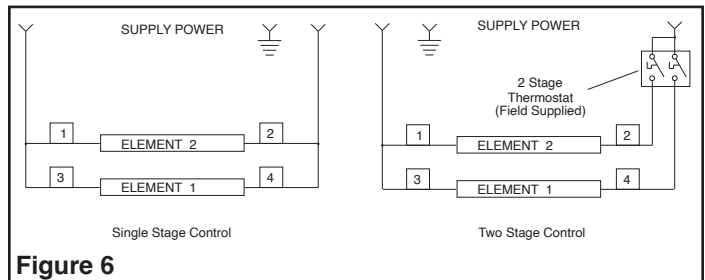


Figure 6

Installation of Quartz Lamp Element

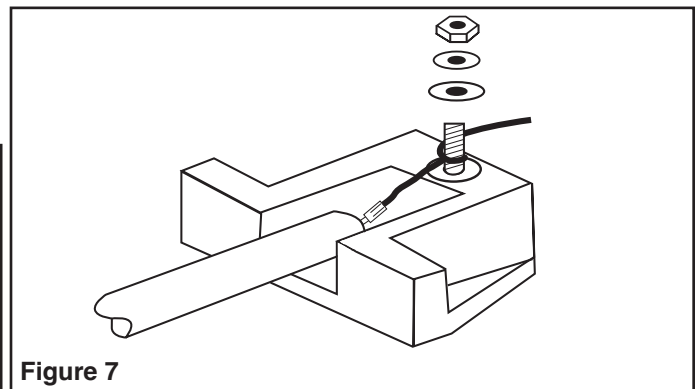


Figure 7

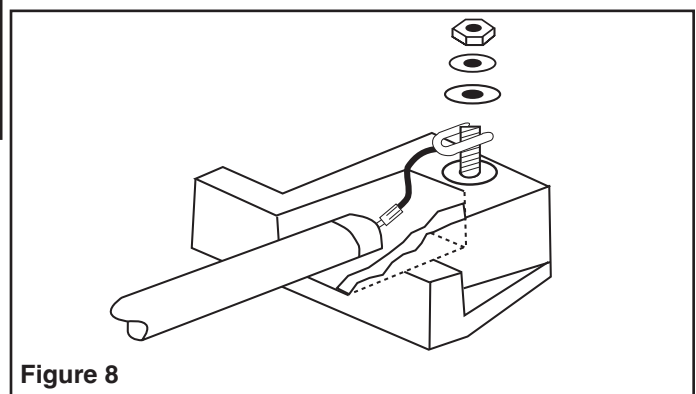


Figure 8

1. Remove terminal cover at each end of fixture to gain access to terminal blocks. Loosen #10 hex nut on terminal stud. Then wrap element lead around terminal one full turn as shown in Figure 7. Tighten nut, making sure there is some slack in the lead after the attachment is made. Cut off and discard extra wire.

CAUTION

DO NOT HANDLE QUARTZ LAMP OR QUARTZ TUBE HEATING ELEMENTS WITH BARE HANDS AS SALT IN PERSPIRATION MAY DETERIORATE THE QUARTZ.

WARNING

EXCESS ELEMENT LEAD WIRES COULD COME IN CONTACT WITH THE HEATER ENCLOSURE AND CREATE A SHOCK OR FIRE HAZARD. CUT OFF ALL EXCESS LEAD MATERIAL.

WARNING

DO NOT OPERATE THE HEATER WITHOUT GROUND FAULT EQUIPMENT PROTECTION. FAILURE TO FOLLOW THESE INSTRUCTIONS CAN RESULT IN PERSONAL INJURY AND FIRE.

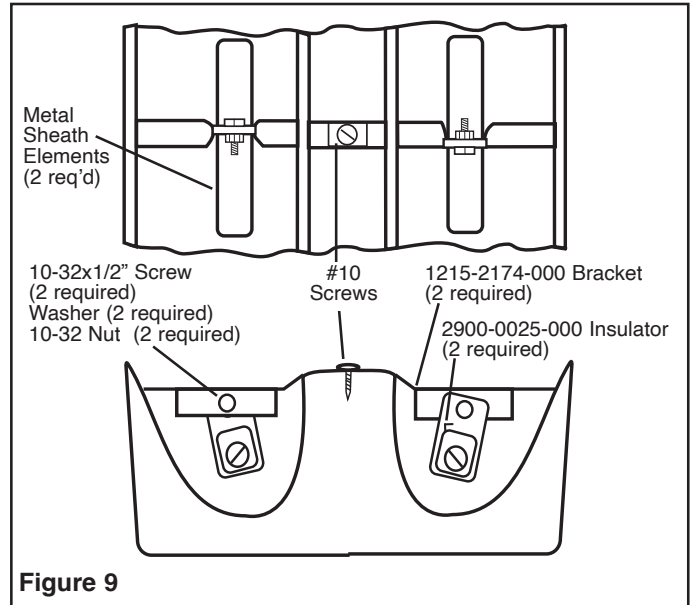
Installation of Quartz Tube Element

1. Remove terminal cover at each of fixture to gain access to terminal blocks. Loosen #10 hex nut and install element as shown in Figure 8.

Installation of Metal Sheath Element

1. Remove terminal cover at each end of fixture to gain access to terminal blocks. Loosen #10 hex nut, then attach

one end of element as shown in Figure 8. With one end of element attached to terminal, slide insulator over metal sheath element and attach opposite end of element. Complete assembly as shown in Figure 9 using bracket with one mounting hole (discard brackets with 2 mounting holes).



IMPORTANT INSTRUCTIONS

WARNING

WHEN USING ELECTRICAL APPLIANCES, BASIC PRECAUTIONS SHOULD ALWAYS BE FOLLOWED TO REDUCE THE RISK OF FIRE, ELECTRIC SHOCK, AND INJURY TO PERSONS, INCLUDING THE FOLLOWING:

1. Read all instructions before installing or using this heater.
2. This heater when in use. To avoid burns, do not let bare skin touch hot surfaces. Keep combustible materials, such as furniture, pillows, bedding, papers, clothes, etc. and curtains at least 6 ft (1.8 M) from the front of the heater.
3. Extreme caution is necessary when any heater is used by or near children or invalids and whenever the heater is left operating and unattended.
4. Do not operate any heater if it malfunctions. Disconnect power at service panel and have heater inspected by a reputable electrician before reusing.
5. Do not insert or allow foreign objects to enter heater as this may cause an electric shock, fire, or damage the heater.
6. To prevent a fire, use care to never block heater and maintain required clearances.
7. A heater has hot and arcing or sparking parts inside. Do not use in areas where gasoline, paint, or flammable vapors or liquids are used or stored.
8. Use this heater only as described in this manual. Any other use not recommended by the manufacturer may cause fire, electric shock, or injury to persons.
9. For Industrial and Commercial Use Only.

SAVE THESE INSTRUCTIONS

Control Options

For 120-277 Volt

Line voltage thermostats with heat anticipators
(ex. M611W or M612W)

Manual or Electric Timers (Furnished by others)

For 208-480 Volt control:

Contractor Panels (Ex. CP50, 100, 200, or 3004801)

Time Delay Panels (Ex. CP404801PT)

Percentage Time Panels (Ex. CP404801CT)

*Note: Metal Sheath Heaters Only

Select heater controls for voltage and amperage
needed for designated elements. Contact MEP for
further control requirements @ 800-642-4328

LIMITED WARRANTY

All products manufactured by Marley Engineered Products are warranted against defects in workmanship and materials for one year from the date of purchase. This warranty does not apply to damage from accident, misuse, or alteration; nor where the connected voltage is more than 5% above the nameplate voltage; nor to equipment improperly installed or wired or maintained in violation of the product's installation instructions. This warranty does not apply to refurbished products. All claims for warranty work must be accompanied by proof of the date of purchase.

The customer shall be responsible for all costs incurred in the removal or reinstallation of products, including labor costs, and shipping costs incurred to return products to Marley Engineered Products. Within the limitations of this warranty, inoperative units should be returned to Marley Engineered Products, and we will repair or replace, at our option, at no charge to you with return freight paid by Marley. It is agreed that such repair or replacement is the exclusive remedy available from Marley Engineered Products.

THE ABOVE WARRANTIES ARE IN LIEU OF ALL OTHER WARRANTIES EXPRESSED OR IMPLIED, AND ALL IMPLIED WARRANTIES OF MERCHANTABILITY AND FITNESS FOR A PARTICULAR PURPOSE WHICH EXCEED THE AFORESAID EXPRESSED WARRANTIES ARE HEREBY DISCLAIMED AND EXCLUDED FROM THIS AGREEMENT. MARLEY ENGINEERED PRODUCTS SHALL NOT BE LIABLE FOR CONSEQUENTIAL DAMAGES ARISING WITH RESPECT TO THE PRODUCT, WHETHER BASED UPON NEGLIGENCE, TORT, STRICT LIABILITY, OR CONTRACT.

Some states do not allow the exclusion or limitation of incidental or consequential damages, so the above exclusion or limitation may not apply to you. This warranty gives you specific legal rights, and you may have other rights which vary from state to state.

Contact Marley Engineered Products in Bennettsville, SC, at 1-800-642-4328. Merchandise returned to the factory must be accompanied by a return authorization and service identification tag, both available from Marley Engineered Products. When requesting return authorization, include all catalog numbers shown on the products.

HOW TO OBTAIN WARRANTY SERVICE AND WARRANTY PARTS PLUS GENERAL INFORMATION

- | | |
|--------------------------------|---|
| 1. Warranty Service or Parts | 1-800-642-4328 |
| 2. Purchase Replacement Parts | 1-800-654-3545 |
| 3. General Product Information | www.marleymep.com |

Note: When obtaining service always have the following:

1. Model number of the product
2. Date of manufacture
3. Part number or description



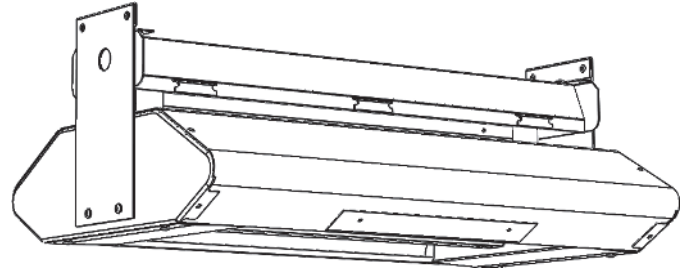
Marley
Engineered Products

470 Beauty Spot Rd. East
Bennettsville, SC 29512 USA



Marley

Engineered Products



Calentadores infrarrojos de 2 elementos Tipo RP2 y RS2

TABLA DE SELECCION DEL ARTEFACTO

(Recinto solamente - Seleccionar el elemento apropiado de la tabla de Selección del Elemento)

RECINTO	DISEÑO DEL REFLECTOR				DIMENSIONES			
	30 GRAD.	60 GRAD.		90 GRAD.	ALTURA	ANCHO	LARGO	PESO
	SIMETRICO	SIMETRICO	ASIMETRICO	SIMETRICO	pulg. (mm)	pulg.(mm)	pulg.(mm)	lbs.(kg)
ACERO PINTADO	RP223SB	RP226SB	RP226ASB	RP229SB	7.125 (181)	15 (381)	24 (610)	19 (8.6)
ACERO INOXIDABLE	RS223SB	RS226SB	RS226ASB	RS229SB			33 (838)	24 (10.9)
ACERO PINTADO	RP233SB	RP236SB	RP236ASB	RP239SB			46 (1168)	31 (14.1)
ACERO INOXIDABLE	RS233SB	RS236SB	RS236ASB	RS239SB				
ACERO PINTADO	RP243SB	RP246SB	RP246ASB	RP249SB				
ACERO INOXIDABLE	RS243SB	RS246SB	RS246ASB	RS249SB				

Instrucciones de instalación



ADVERTENCIA



Leer cuidadosamente - La hoja de instrucciones contiene información para la instalación y uso apropiados y operación eficiente del calentador descripto. Leer cuidadosamente este manual antes de la instalación, limpieza u operación del calentador. El no adherirse a las instrucciones puede resultar en incendio, choque eléctrico, muerte, lesiones personales graves o daños a la propiedad. Guardar estas instrucciones y repasar frecuentemente para una operación segura continuada e instrucción de los usuarios futuros.

PRECAUCION - PARA REDUCIR EL RIESGO DE INCENDIO Y CHOQUE ELECTRICO:

1. Desconectar la electricidad entrante al calentador en el panel principal de servicio antes de cablear, instalar elementos, prestar servicio o desensamblar el calentador.
2. Todo el cableado debe estar de acuerdo con los Códigos Eléctricos locales y nacionales y el calentador debe conectarse a tierra como precaución contra un posible choque eléctrico.
3. Antes de activar, verificar que el voltaje del suministro eléctrico entrante al calentador corresponda con la clasificación nominal impresa en la placa de nombre del calentador.

4. El cable de suministro entrante al calentador debe tener una clasificación nominal de 90 grados C por lo menos. USAR CABLE DE COBRE SOLAMENTE.

5. Deben mantenerse las separaciones mínimas según especificadas en la Figura 1. Mantener el material combustible tal como cajas, cajones, etc. alejados del calentador.

6. Este calentador no es apropiado para usar en ubicaciones riesgosas según descriptas por el NFPA. No usar en áreas donde se usan o almacenan pintura, gasolina u otros líquidos inflamables.

7. No usar calentadores de TIPO RP en áreas donde están presentes agentes corrosivos, tal como áreas de almacenaje marinas, de invernaderos o químicas. Los calentadores de TIPO RS son más apropiados para esas aplicaciones.

8. La estructura de montaje y la ferretería de anclaje deben poder soportar con confianza el peso total del calentador y todos los accesorios usados. Para el peso del calentador ver la tabla de selección.

9. Este calentador se ha diseñado para montar en el cielo raso (o montaje de pared con accesorio - WMB Soporte de Montaje de Pared) solamente. Los elementos deben estar horizontales.

GUARDAR ESTAS INSTRUCCIONES

General

Estos calentadores están diseñados para: montaje en conductos o cadenas en interiores, montaje en conductos exteriores o montaje en superficie, o montaje empotrado.

Limitaciones de montaje – Para las limitaciones de montaje referirse a la Figura 1. Observar todas las dimensiones mínimas desde los cielos rasos, paredes, piso y material combustible.

Mantener separaciones mínimas de:

- 24" (610 mm) a las superficies verticales de las paredes.
- 36" (914 mm) entre calentadores montados de lado a lado. Los calentadores pueden montarse de extremo a extremo.
- 6" (152 mm) al cielo raso
- 84" (2134 mm) al piso

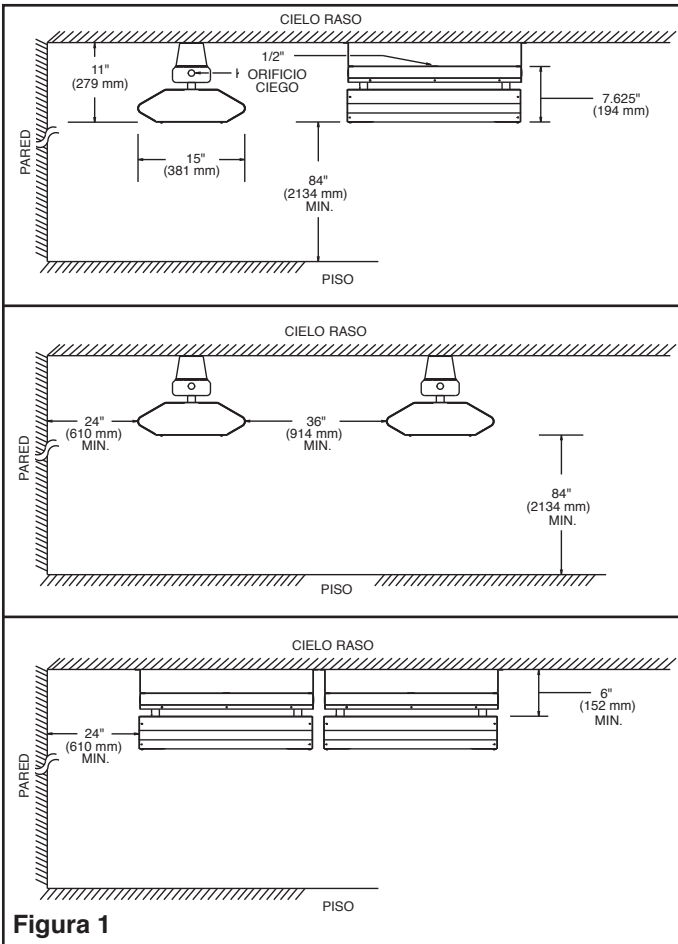


Figura 1

Referirse a la Figura 2. Cuando el calentador está montado a la distancia mínima a la pared, no colocar en un ángulo hacia la pared y no dirigir un calentador asimétrico hacia la pared.

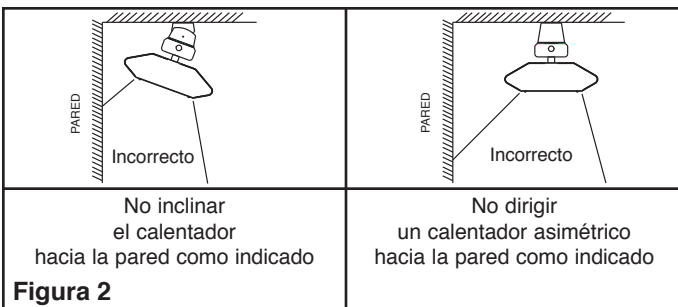


Figura 2

Los calentadores están diseñados para montar con elementos horizontales solamente, en el cielo raso o un montaje de pared si se usa el soporte de montaje de pared tipo RP-WMB o RS-WMB.

Referirse a la primera página para instrucciones importantes de seguridad.

Montaje con cadena (Interior solamente)

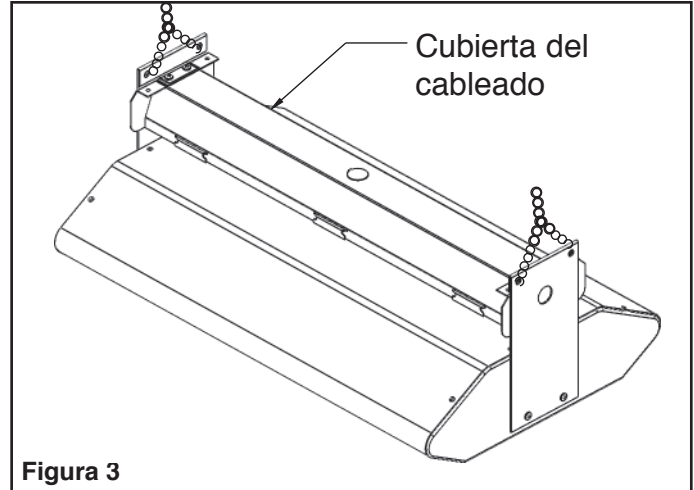


Figura 3

Referirse a la Figura 3 y proceder como sigue.

Los conductos, conectores, bucles de cadena y ganchos son provistos por terceros en las instrucciones siguientes.

1. No coloque los soportes de montaje en superficie suministrados.
2. Coloque cadenas de bucle (no incluidas) en cada extremo del soporte de montaje como se muestra en la Figura 3.
3. Fijar las cadenas (no provistas) al cielo raso a la altura deseada sobre el piso y conectar al punto central de los bucles de cadenas en la cubierta de cable.
4. Extraer los tornillos (ver la Figura 3) desde la parte delantera de la cubierta de cable y permitir que el calentador gire hacia abajo para cablear.
5. Abrir el orificio ciego desde el tope de cualquiera de los extremos de la cubierta de cable e instalar el conector del conducto y el conducto.
6. Encaminar el cable de alimentación al calentador.
7. Pasar a la sección de cableado (ver la Figura 6).

Montaje de superficie (Interior o Exterior)

Referirse a la Figura 4 y proceder como sigue.

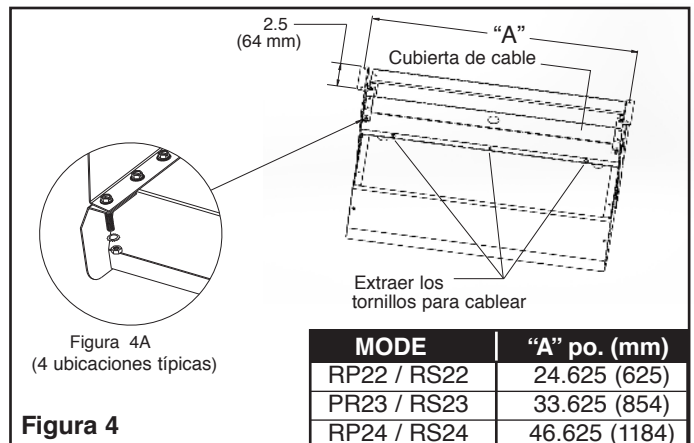


Figura 4A
(4 ubicaciones típicas)

MODE	"A" po. (mm)
RP22 / RS22	24.625 (625)
PR23 / RS23	33.625 (854)
RP24 / RS24	46.625 (1184)

Figura 4

El conducto, los conectores del conducto y los sujetadores para asegurar el calentador al cielo raso se proveen por terceros, en las instrucciones siguientes.

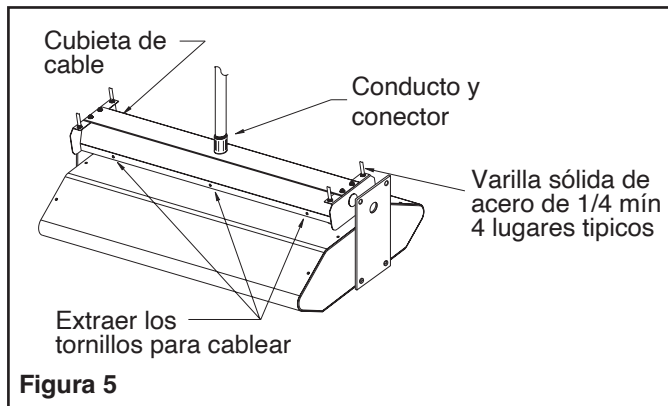
1. En un banco de trabajo u otra superficie plana, fije los soportes de montaje proporcionados a los extremos de la cubierta del conducto de cables (vea la Figura 4A) utilizando los pernos, las arandelas de estrella y las tuercas proporcionadas.
2. Extraer los tornillos (ver la Figura 4) de la parte delantera de la cubierta de cable, girar hacia atrás la cubierta de cable y extraer de la base de la cubierta de cable.
3. Montar en el cielo raso los soportes de cubierta de cable/montaje y asegurar usando los sujetadores (por terceros) de un tamaño suficiente como para sostener el calentador y otros accesorios opcionales usados.
4. Abrir el orificio ciego desde el tope de cualquiera de los extremos de la cubierta de cable e instalar el conector del conducto y el conducto.
5. Encaminar el cable de alimentación al calentador.
6. Alinear las aletas en "T" en la base de la cubierta de cable con las ranuras en la cubierta de cable y suspender el conjunto del calentador en la cubierta de cable. Permitir que cuelgue abierto.
7. Pasar a la sección de cableado (ver la Figura 6).

Montaje del conducto (Interior o Exterior)

Referirse a la Figura 5 y proceder como sigue.

El conducto y los conectores del conducto se proveen por terceros en las instrucciones siguientes.

1. No coloque los soportes de montaje en superficie suministrados.
2. Montar el conducto provisto de campo a la estructura del edificio, asegurar usando sujetadores (por terceros) de un tamaño suficiente como para sostener el calentador y otros accesorios opcionales usados.
3. Encaminar el cable de alimentación al calentador.



4. Extraer los tornillos (ver la Figura 5) de la parte delantera de la cubierta de cable, girar hacia atrás la cubierta de cable y extraer de la base de la cubierta de cable.
5. Abrir el orificio ciego desde el tope de cualquiera de los extremos de la cubierta de cable e instalar el conector del conducto y el conducto.
6. Alinear las aletas en "T" en la base de la cubierta de cable con las ranuras en la cubierta de cable y suspender el conjunto del calentador en la cubierta de cable. Permitir que cuelgue abierto.
7. Pasar a la sección de cableado (ver la Figura 6).

Alambrado

ADVERTENCIA
NO OPERE EL CALENTADOR SIN EQUIPO DE PROTECCIÓN CONTRA FALLAS A TIERRA. NO SEGUIR ESTAS INSTRUCCIONES PUEDE RESULTAR EN LESIONES PERSONALES Y/O INCENDIO.

ADVERTENCIA
AL FUNCIONAR, LOS ELEMENTOS DE CALEFACCIÓN NO DEBEN CICLARSE MÁS DE 5 VECES POR HORA. EL CICLO RÁPIDO DE LOS ELEMENTOS DE CALEFACCIÓN RESULTARÁ EN LA PÉRDIDA DE RENDIMIENTO Y CAUSARÁ QUE LOS ELEMENTOS FALLEN.

Referirse a la Figura 6 y proceder como sigue.

1. Conectar el cableado del calentador al cableado de suministro de electricidad según se muestra en la Figura 6.
2. Conectar el cable de conexión a tierra del suministro de electricidad al cable verde guía de conexión a tierra del calentador.
3. Plegar cuidadosamente los cables en el compartimiento de cables de manera que no sean presionados por la cubierta del compartimiento de cableado.
4. Pivotar el conjunto del calentador hasta que la base del compartimiento de cableado gire en su lugar en el compartimiento de cableado.
5. Asegurar la cubierta del compartimiento de cableado a la base con los tornillos extraídos previamente.

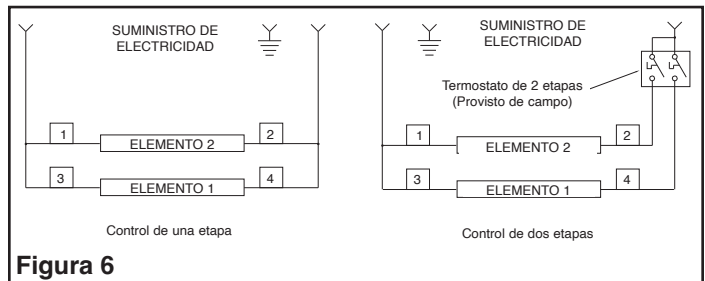


Figura 6

Instalación de elemento de lámpara de cuarzo

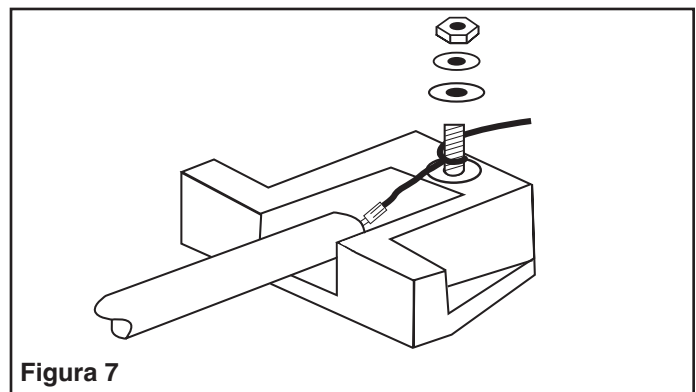


Figura 7

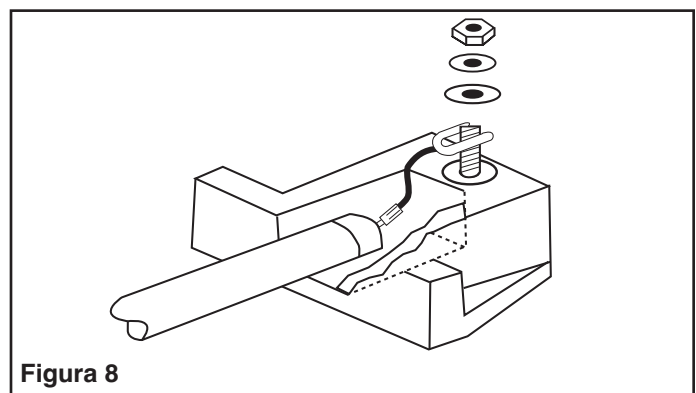


Figura 8

1. Extraer la cubierta del terminal a cada extremo del artefacto para obtener acceso a los bloques terminales. Aflojar la tuerca hexagonal no. 10 en el perno prisionero terminal. A continuación envolver la guía del elemento alrededor del terminal una vuelta completa según indicado en la Figura 7. Ajustar la tuerca, asegurándose que haya un poco de exceso en la guía después de fijar. Cortar y descartar el exceso de cable.



PRECAUCION

NO MANEJAR LA LAMPARA DE CUARZO NI LOS ELEMENTOS TERMICOS DEL TUBO DE CUARZO CON LAS MANOS EXPUESTAS YA QUE LA SAL EN EL SUDOR PUEDE DETERIORAR EL CUARZO.



ADVERTENCIA



EL EXCESO DE LOS CABLES GUIA DEL ELEMENTO PUEDE TOCAR LA CAJA DEL CALENTADOR Y CREAR UN RIESGO DE CHOQUE ELECTRICOOINCENDIO. SE DEBE CORTAR TODO EL EXCESO DEL MATERIAL GUIA.



WARNING



NO OPERE EL CALENTADOR SIN EQUIPO DE PROTECCIÓN CONTRA FALLAS A TIERRA. NO SEGUIR ESTAS INSTRUCCIONES PUEDE RESULTAR EN LESIONES PERSONALES Y/O INCENDIO.

Instalación del elemento de tubo de cuarzo

1. Eliminar la cubierta del terminal en cada artefacto para obtener acceso a los bloques terminales. Aflojar la tuerca hexagonal no. 10 e instalar el elemento según se indica en la Figura 8.

Instalación del elemento de funda de metal

1. Extraer la cubierta del terminal en cada extremo del artefacto para obtener acceso a los bloques terminales. Aflojar la tuerca hexagonal no. 10, a continuación fijar un extremo del elemento según se

indica en la Figura 8. Con un extremo del elemento fijado al terminal, deslizar el aislador sobre el elemento de la funda de metal y fijar el extremo opuesto del elemento. Completar el ensamblado según se indica en la Figura 9 usando el soporte con un orificio de montaje (descartar los soportes con 2 orificio de montaje).

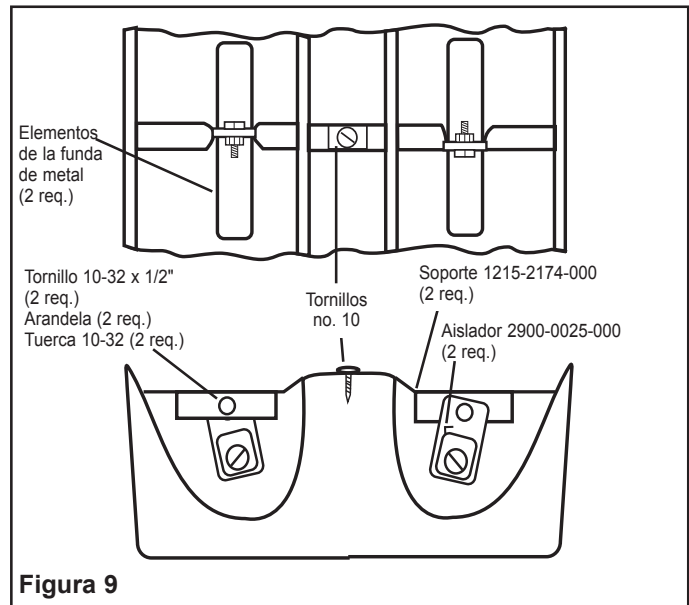


Figura 9

INSTRUCCIONES IMPORTANTES

ADVERTENCIA

AL USAR APARATOS ELÉCTRICOS, SIEMPRE SE DEBEN TOMAR PRECAUCIONES BÁSICAS PARA REDUCIR EL RIESGO DE INCENDIO, DESCARGA ELÉCTRICA Y DAÑOS PERSONALES, INCLUYENDO LAS SIGUIENTES:

1. Lea todas las instrucciones antes de instalar o usar este calefact.
2. Este calefactor se calienta cuando se usa. Para evitar quemaduras, no toque las superficies calientes sin protección. Mantenga los materiales combustibles, como muebles, almohadas, ropa de cama, papeles, ropa, cortinas, etc. a, como mínimo, 6 pies (1,8 m) de distancia del calefactor.
3. Se debe tener mucho cuidado cuando el calefactor es utilizado por niños o personas inválidas, o cerca de ellos, y cuando queda funcionando solo.
4. No utilice el calefactor si funciona mal. Desconecte la energía desde el panel de servicio haga revisar el calefactor por un electricista profesional antes de volver a usarlo.
5. No introduzca ni permita el ingreso de objetos extraños en el calefactor porque pueden provocar una descarga eléctrica, incendio o daños en el calefactor.
6. Para evitar un incendio, tenga cuidado de no bloquear el calefactor y mantener las distancias requeridas.
7. El calefactor tiene piezas calientes y que producen arcos eléctricos o chispas. No lo utilice en lugares donde se use o guarde gasolina, pintura o vapores o líquidos inflamables.
8. Utilice este calefactor solo como se indica en este manual. Cualquier otro uso no recomendado por el fabricante puede provocar un incendio, descarga eléctrica o daños personales.
9. Solo para uso industrial y comercial

CONSERVE ESTAS INSTRUCCIONES

Opciones de control

Para 120-277 voltios
Termostatos de voltaje de línea con anticipadores de calor (p.ej., M611W o M612W)
Temporizadores manuales o eléctricos (suministrados por terceros)

Para control de 208-480 voltios:
Paneles de contratistas (Ej. CP50, 100, 200 O 3004801)
Paneles de retardo de tiempo (Ej. CP404801PT)
Paneles de porcentaje de tiempo (Ej. CP404801CT)

*Nota: solo calentadores de cubierta metálica

Seleccione los controles del calentador para el voltaje y el amperaje necesarios para los elementos designados. Comuníquese con MEP al 800-642-4328 para conocer requisitos de control adicionales.

GARANTÍA LIMITADA

Todos los productos fabricados por Marley Engineered Products tienen garantía contra defectos de fabricación y materiales por un año a partir de la fecha de instalación, salvo por el motor, que tiene garantía contra defectos de fabricación y materiales por tres años a partir de la fecha de compra. Esta garantía no se aplica a los daños causados por accidente, uso incorrecto o alteración, tensión conectada superior al 5% de la especificada en la placa de datos o instalación, cableado o mantenimiento incorrecto del equipo en violación de las instrucciones de instalación. Todos los reclamos de garantía deben estar acompañados por un comprobante de la fecha de compra.

El cliente será responsable de todos los costos incurridos en la extracción o reinstalación de los productos, incluidos los costos de mano de obra y los costos de envío incurridos para devolver los productos a Marley Engineered Products. Dentro de las limitaciones de esta garantía, las unidades que no funcionen deben ser devueltas a Marley Engineered Products para que las reparemos o cambiemos, a nuestra entera discreción, sin costo alguno para el cliente y con el flete a cargo de Marley. Se conviene que dicha reparación o cambio es el único resarcimiento que ofrece Marley Engineered Products.

ESTAS GARANTÍAS REEMPLAZAN A CUALQUIER OTRA GARANTÍA EXPLÍCITA O IMPLÍCITA, Y TODA GARANTÍA IMPLÍCITA DE COMERCIABILIDAD Y APTITUD PARA UN FIN DETERMINADO QUE EXCEDA LAS GARANTÍAS EXPLÍCITAS MENCIONADAS ARRIBA QUEDARÁ EXCLUIDA DEL PRESENTE ACUERDO. MARLEY ENGINEERED PRODUCTS NO SERÁ RESPONSABLE POR LOS DAÑOS EMERGENTES QUE SURJAN CON RESPECTO AL PRODUCTO, YA SEA BASÁNDOSE NEGLIGENCIA, RESPONSABILIDAD CIVIL, RESPONSABILIDAD OBJETIVA O CONTRATO.

Algunos estados no permiten la exclusión o limitación de los daños incidentales o emergentes, por lo que es posible que la exclusión o limitación mencionada arriba no se aplique en su caso. Esta garantía le otorga derechos legales específicos, pero usted podría tener otros derechos adicionales dependiendo del estado.

Los productos devueltos a la fábrica deben estar acompañados por una autorización de devolución y un rótulo de identificación de reparación, que deben ser proporcionados por Marley Engineered Products. Al solicitar una autorización de devolución, incluya todos los números de catálogo que se muestran en los productos.

COMO OBTENER SERVICIO EN GARANTIA, PIEZAS DE REPUESTO E INFORMACION GENERAL

1. Servicio o repuestos, en garantía: **1-800-642-4328**
2. Compra de piezas de repuesto: **1-800-654-3545**
3. Información general sobre productos: **www.marlymep.com**

Nota: Cuando solicite servicio, siempre dé la información que sigue:

1. Número de modelo del producto
2. Fecha de fabricación
3. Número de parte o descripción



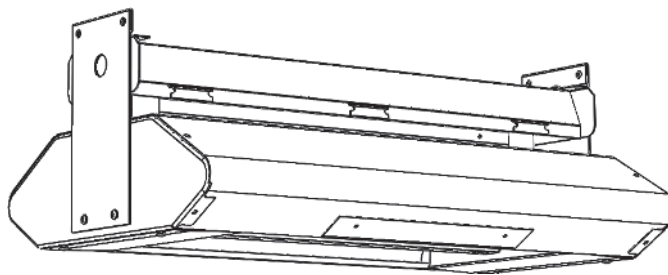
Marley
Engineered Products

470 Beauty Spot Rd. East
Bennettsville, SC 29512 USA



Marley

Engineered Products



Radiateurs infrarouges à 2 éléments type RP2 & RS2

DIAGRAMME DE SÉLECTION DE RADIATEUR

(Structure seulement ; sélectionnez les éléments appropriés sur le diagramme de sélection des éléments)

STRUCTURE	DISEÑO DEL REFLECTOR				DIMENSIONS			
	30 DEG.	60 DEG.		90 DEG.	HAUTEUR	LARGEUR	LONGUEUR	WT.
	SYMMÉTRIQUE	SYMMÉTRIQUE	ASYMMÉTRIQUE	SYMMÉTRIQUE	pulg. (mm)	pulg.(mm)	pulg.(mm)	lbs.(kg)
ACIER PEINT	RP223SB	RP226SB	RP226ASB	RP229SB	7.125 (181)	215 (381)	24 (610)	19 (8.6)
ACIER INOXYDABLE	RS223SB	RS226SB	RS226ASB	RS229SB			33 (838)	24 (10.9)
ACIER PEINT	RP233SB	RP236SB	RP236ASB	RP239SB			46 (1168)	31 (14.1)
ACIER INOXYDABLE	RS233SB	RS236SB	RS236ASB	RS239SB				
ACIER PEINT	RP243SB	RP246SB	RP246ASB	RP249SB				
ACERO INOXIDABLE	RS243SB	RS246SB	RS246ASB	RS249SB				

Instructions d'installation



AVERTISSEMENT



Lisez attentivement. Cette fiche d'instructions contient des informations vitales sur l'installation, l'utilisation et le fonctionnement efficace de ces radiateurs. Lisez ce manuel attentivement avant d'installer, de nettoyer, ou de faire fonctionner ce radiateur. Si vous ne respectez pas ces instructions, vous risquez un incendie, une électrocution, la mort, des blessures graves et des dégâts matériels. Conservez ces instructions et revoyez-les fréquemment pour continuer à utiliser ce radiateur de manière sûre et à l'attention des utilisateurs futurs.

ATTENTION : POUR RÉDUIRE LES RISQUES D'INCENDIE ET D'ÉLECTROCUTION :

- Déconnectez l'alimentation électrique du radiateur au niveau du panneau électrique avant de câbler, d'installer des éléments, de réparer ou de démonter le radiateur.
- Tout le câblage doit être effectué en accord avec les codes électriques nationaux et locaux et le radiateur doit être mis à la terre par précaution contre les électrocutions possibles.
- Vérifiez que la tension du fil d'alimentation corresponde à la valeur indiquée sur le radiateur avant de le brancher.
- Le fil d'alimentation du radiateur doit résister à au moins 90 degrés Celsius. UTILISEZ DES FILS EN CUIVRE UNIQUEMENT.
- Vous devez respecter les distances minimum indiquées sur la Figure 1. Maintenez les substances combustibles comme les cartons, les caisses, etc., loin du radiateur.
- Le radiateur ne doit pas être utilisé dans les endroits dangereux, selon la définition de NFPA. N'utilisez pas le radiateur dans un endroit où sont utilisées ou entreposées des peintures, de l'essence et autres liquides inflammables.
- N'utilisez pas le radiateur de TYPE RP dans les endroits où les agents corrosifs sont présents, comme les entrepôts marins, chimiques, ou les serres. Le TYPE RS convient mieux pour ces applications.
- La structure de montage et le matériel de fixation doivent être capables de supporter le poids total du radiateur et de tous les accessoires utilisés. Consultez le diagramme de sélection en ce qui concerne les poids.
- Ce radiateur est prévu pour être monté au plafond (ou sur un mur avec l'accessoire de montage sur le mur WMB). Les éléments doivent être horizontaux.

CONSERVEZ CES INSTRUCTIONS

Généralités

Ces appareils de chauffage sont conçus pour : un montage intérieur sur chaîne ou sur conduit, ou un montage extérieur sur conduit, ou un montage en surface, ou un montage encastré.

Limitations de montage – Référez-vous à la figure 1 pour les limitations de montage. Observez les dimensions minimum par rapport au plafond, aux murs, au sol, et aux matériaux combustibles.

Maintenez des distances minimum de :

- 24 pouces (610 mm) par rapport aux surfaces verticales des murs.
- 36 pouces (914 mm) entre les radiateurs montés côte à côte. Les radiateurs peuvent être montés en alignement.
- 6 pouces (152 mm) par rapport au plafond.
- 84 pouces (2134 mm) par rapport au sol.

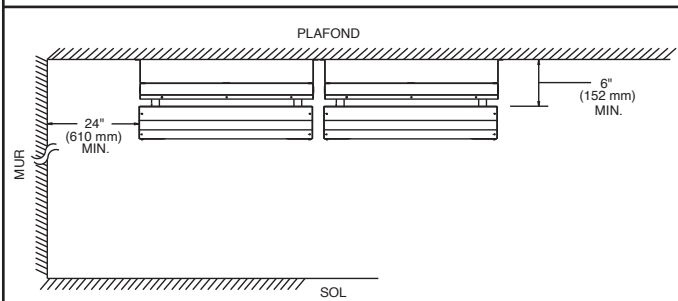
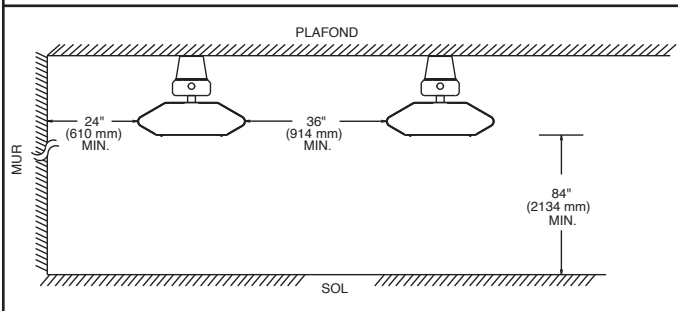
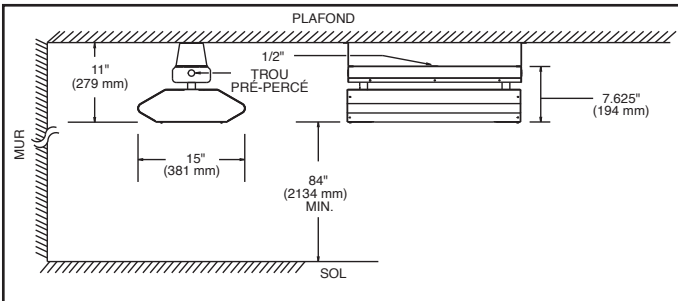


Figure 1

Référez-vous à la Figure 2. Lorsque le radiateur est monté à la distance minimum par rapport au mur, ne penchez pas le radiateur vers le mur et ne dirigez pas le radiateur assymétrique du côté du mur.

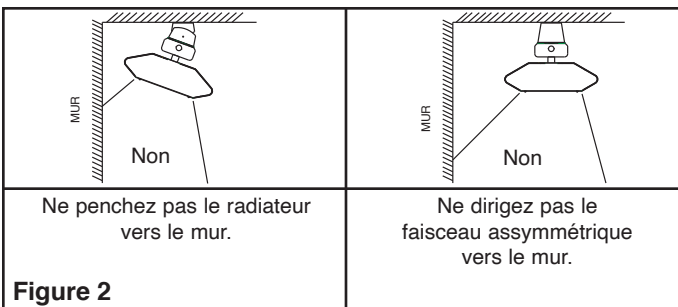


Figure 2

Les radiateurs sont conçus pour être montés uniquement avec les éléments en position horizontale sur le plafond, ou bien au mur avec l'accessoire de montage sur le mur RP-WMB ou RS-WMB.

Référez-vous à la première page pour les informations de sécurité supplémentaire.

Montage sur chaîne (à l'intérieur seulement).

Référez-vous à la Figure 3 et procédez comme suit.

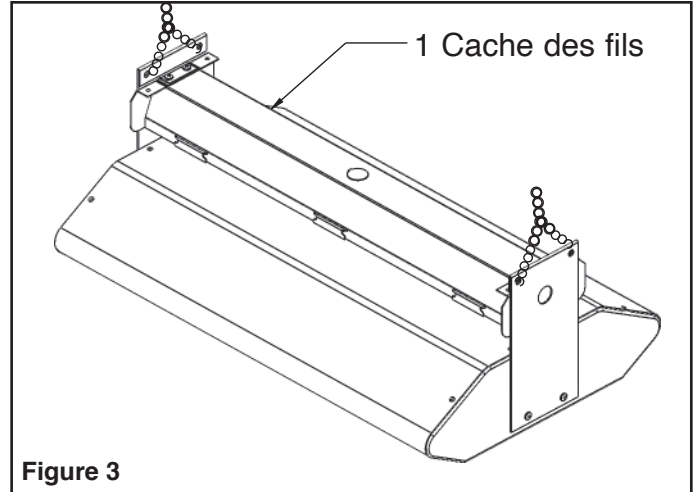


Figure 3

La conduite, les connecteurs, les chaînes et les crochets ne sont pas fournis, comme indiqué dans les instructions ci-dessous.

1. Ne fixez pas les supports de montage en surface fournis.
2. Attachez des chaînes à boucles (non fournies) à chaque extrémité du support de montage, comme illustré à la figure 3.
3. Attachez les chaînes (non fournies) au plafond à la hauteur désirée au-dessus du sol et connectez le point central des chaînes sur le cache des fils.
4. Retirez les vis (voir Figure 3) de l'avant du cache des fils et laissez le radiateur tourner vers le bas pour le câblage.
5. Retirez la pièce du trou pré-percé du dessus d'un côté du cache des fils et installez la conduite et son connecteur.
6. Posez le fil d'alimentation jusqu'au radiateur.
7. Procédez à la section Câblage (voir Figure 6).

Montage en surface (intérieur ou extérieur)

Référez-vous à la Figure 4 et procédez comme suit.

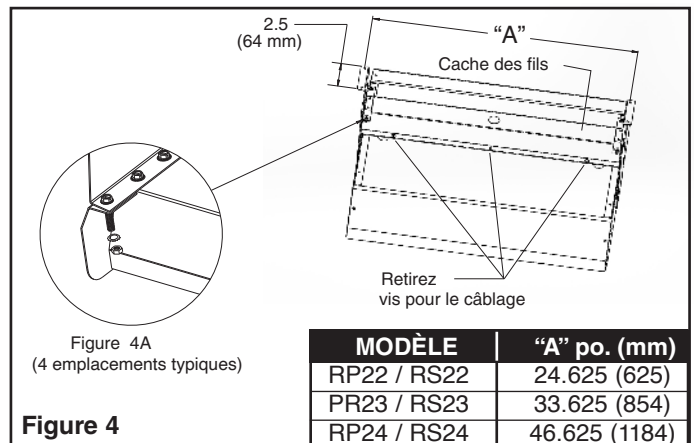


Figure 4A
(4 emplacements typiques)

MODÈLE	"A" po. (mm)
RP22 / RS22	24.625 (625)
PR23 / RS23	33.625 (854)
RP24 / RS24	46.625 (1184)

Figure 4

La conduite, les connecteurs, les chaînes et les crochets ne sont pas fournis, comme indiqué dans les instructions ci-dessous.

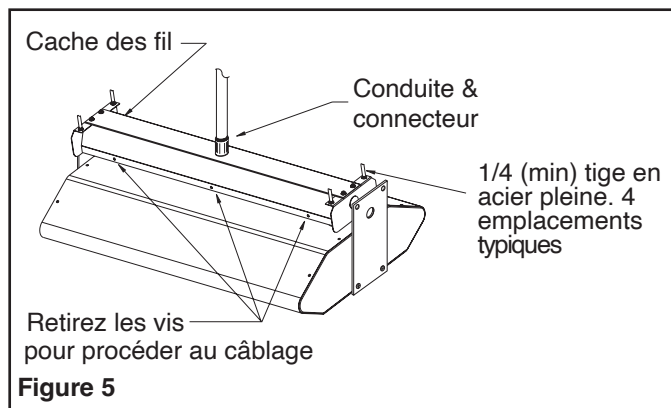
1. Sur une table de travail ou une autre surface plane, fixez les supports de montage fournis aux extrémités du couvercle de passage de câbles (voir Image 4A) à l'aide des boulons, des rondelles en étoile et des écrous fournis.
2. Retirez les vis (voir Figure 4) de la partie avant du cache des fils.
3. Montez le cache des fils/les supports de montage au plafond et fixez avec vis (non fournies) de taille suffisante pour supporter le radiateur et tous accessoires.
4. Retirez la pièce du trou pré-percé du dessus d'un côté du cache des fils et installez la conduite et son connecteur.
5. Posez le fil d'alimentation jusqu'au radiateur.
6. Alignez les languettes en "T" de la base du radiateur avec les fentes du cache des fils et accrochez le radiateur au cache des fils. Laissez le tout ouvert.
7. Procédez à la section Câblage (voir Figure 6).

Montage sur conduite (intérieur ou extérieur)

Référez-vous à la Figure 5 et procédez comme suit.

La conduite et ses connecteurs ne sont pas fournis, comme indiqué dans les instructions ci-dessous.

1. Ne fixez pas les supports de montage en surface fournis.
2. Fixez la conduite (non fournie) au bâtiment et fixez-la avec des vis (non fournies) de taille suffisante pour supporter le radiateur et tous accessoires.
3. Posez le fil d'alimentation jusqu'au radiateur.
4. Retirez les vis (voir Figure 5) de la partie avant du cache des fils. Faites tourner le cache vers l'arrière et retirez-le de la base du radiateur.



5. Retirez la pièce du trou pré-percé du dessus d'un côté du cache des fils et installez la conduite et son connecteur.
6. Alignez les languettes en "T" de la base du radiateur avec les fentes du cache des fils et accrochez le radiateur au cache des fils. Laissez le tout ouvert.
7. Procédez à la section Câblage (voir Figure 6).

Câblage

WARNING

NE PAS FAIRE FONCTIONNER L'APPAREIL DE CHAUFFAGE SANS ÉQUIPEMENT DE PROTECTION CONTRE LES FUITES À LA TERRE. LE NON-RESPECT DE CES INSTRUCTIONS PEUT ENTRAÎNER DES BLESSURES CORPORELLES ET UN INCENDIE.

WARNING

LORS DU FONCTIONNEMENT, LES ÉLÉMENTS CHAUFFANTS NE DOIVENT PAS EFFECTUER PLUS DE 5 CYCLES PAR HEURE. LE CYCLE RAPIDE DES ÉLÉMENTS CHAUFFANTS ENTRAÎNE UNE BAISSÉ DE PERFORMANCE ET ENTRAÎNERA LA DÉFAILLANCE DES ÉLÉMENTS.

Référez-vous à la Figure 6 et procédez comme suit.

1. Connectez le radiateur au câblage d'alimentation comme indiqué sur la Figure 6.
2. Connectez le fil de terre de l'alimentation au fil vert de mise à la terre du radiateur.
3. Pliez précautionneusement les fils dans le compartiment de câblage pour qu'ils ne soient pas pincés par le cache des fils.
4. Pivotez le radiateur jusqu'à ce que la base du cache des fils soit en place.
5. Fixez le cache des fils à la base du radiateur avec les vis retirez précédemment.

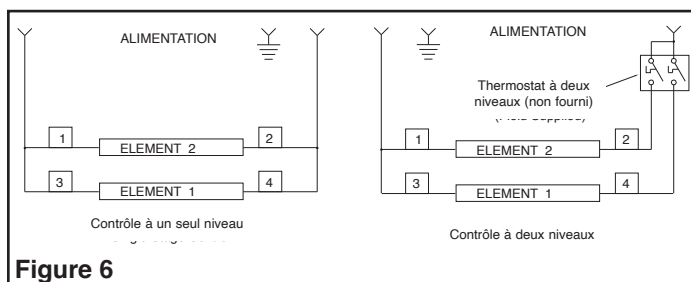


Figure 6

Installation de l'élément de la lampe à quartz

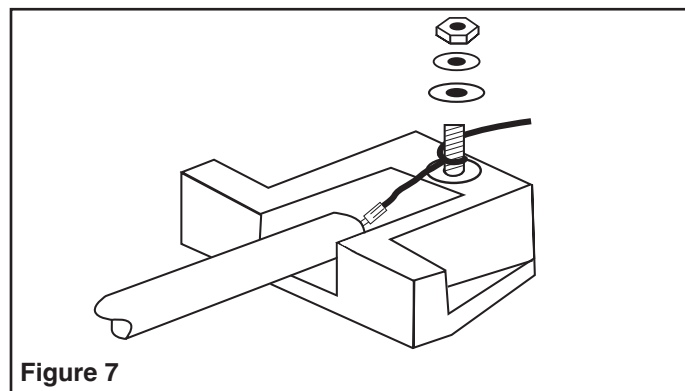


Figure 7

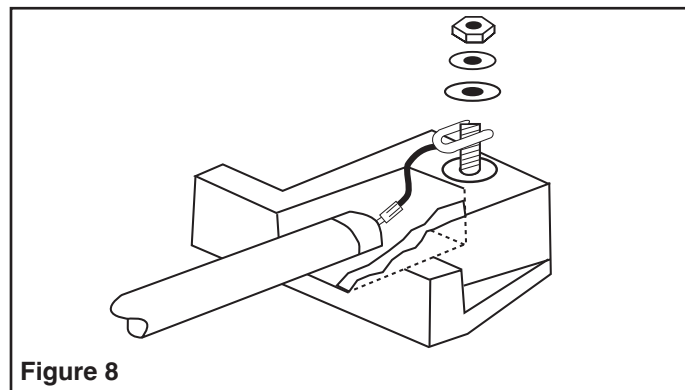


Figure 8

1. Retirez le cache du terminal de chaque côté du radiateur pour accéder aux blocs de terminaux. Desserrez l'écrou hexagonal n° 10 du terminal. Entourez les fils autour des terminaux comme indiqué sur la Figure 7. Serrez l'écrou hexagonal en vérifiant qu'il reste un peu de mou dans le fil lorsque vous avez terminé. Coupez l'excédent de fil.



ATTENTION

NE MANIPULEZ PAS LA LAMPE À QUARTZ OU LES ÉLÉMENTS DE CHAUFFAGE AVEC LES MAINS NUS CAR LES SELS DE TRANSPIRATION RISQUENT DE DÉTÉRIORER LE QUARTZ.



AVERTISSEMENT



TOUT EXCÈS DE FIL POURRAIT RENTRER EN CONTACT AVEC LE CORPS DU RADIATEUR ET CRÉER UN COURT-CIRCUIT, OU UN RISQUE D'INCENDIE. COUPEZ TOUT EXCÈS DE MATÉRIAU.



WARNING



NE PAS FAIRE FONCTIONNER L'APPAREIL DE CHAUFFAGE SANS ÉQUIPEMENT DE PROTECTION CONTRE LES FUITES À LA TERRE. LE NON-RESPECT DE CES INSTRUCTIONS PEUT ENTRAÎNER DES BLESSURES CORPORELLES ET UN INCENDIE.

Installation de l'élément à quartz

1. Retirez le cache du terminal de chaque côté du radiateur pour accéder aux blocs de terminaux. Desserrez l'écrou hexagonal n°10 du terminal et installez l'élément comme indiqué sur la Figure 8.

Installation de la protection métallique

1. Retirez le cache du terminal de chaque côté du radiateur pour accéder aux blocs de terminaux. Desserrez l'écrou hexagonal n° 10 du terminal, puis fixez une extrémité de l'élément comme

indiqué sur la Figure 8. Avec une extrémité de l'élément au terminal, glissez l'isolant par dessus la protection métallique et attachez l'autre extrémité de l'élément. Complétez le montage comme indiqué sur la Figure 9 en utilisant le support avec un seul trou de montage (jetez les supports avec deux trous de montage).

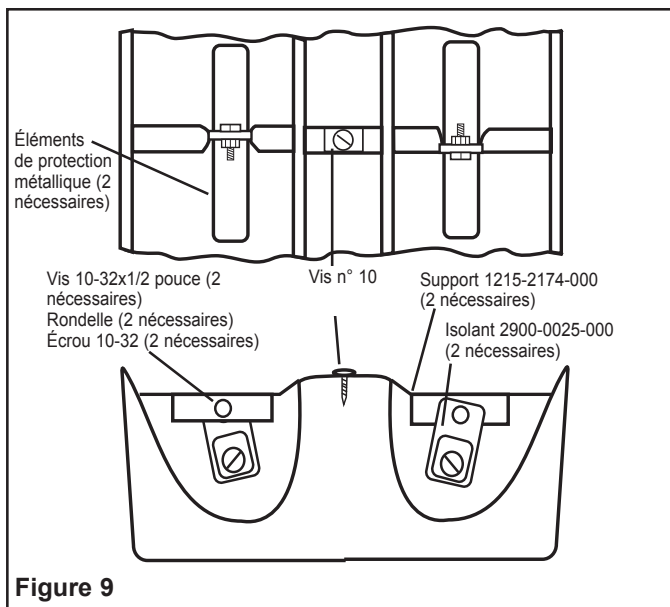


Figure 9

INSTRUCTIONS IMPORTANTES

AVERTISSEMENT

LORS DE L'UTILISATION D'APPAREILS ÉLECTRIQUES, DES PRÉCAUTIONS DOIVENT ÊTRE PRISES POUR RÉDUIRE LE RISQUE D'INCENDIE, DE DÉCHARGE ÉLECTRIQUE ET DE BLESSURES CORPORELLES, INCLUANT LES SUIVANTES:

1. Lisez toutes les instructions avant d'installer ou d'utiliser cet appareil de chauffage.
2. Cet appareil de chauffage est chaud lorsqu'il est en usage. Afin d'éviter les brûlures, ne pas laisser la peau nue en contact avec les surfaces chaudes. Gardez les matériaux combustibles, tels que meubles, coussins, literie, papiers, vêtements, etc. ainsi que les rideaux à au moins 6 pieds (1.8 m.) de l'avant de l'appareil de chauffage.
3. Faites preuve d'extrême précaution lorsque l'appareil de chauffage est utilisé par ou près d'enfants ou de personnes invalides, ainsi qu'à tout moment où l'appareil de chauffage est laissé en usage sans supervision.
4. N'utilisez pas l'appareil de chauffage si celui-ci est défectueux. Débranchez l'alimentation au niveau du panneau et faites inspecter l'appareil par un électricien certifié avant de le réutiliser.
5. N'insérez pas et ne laissez pas d'objets étrangers entrer dans l'appareil de chauffage, car ces derniers pourraient engendrer une décharge électrique, un incendie ou des dommages à l'appareil.
6. Afin d'éviter tout incendie, faites preuve de prudence afin de ne jamais bloquer l'appareil de chauffage et respectez les espaces de dégagements requis.
7. Un appareil de chauffage contient des pièces chaudes pouvant produire un arc ou des étincelles. Ne pas utiliser dans des endroits où de l'essence, de la peinture, ou des liquides ou vapeurs inflammables sont utilisés ou entreposés.
8. Utilisez cet appareil de chauffage uniquement tel que décrit dans ce manuel. Tout autre usage n'étant pas recommandé par le fabricant pourrait causer un incendie, une décharge électrique ou de blessures corporelles.
9. Pour usage industriel et commercial seulement.

CONSERVEZ CES INSTRUCTIONS

Options de commande

Pour 120-277 Volts

Thermostats à tension secteur avec anticipateurs de chaleur (ex. M611W ou M612W)

Minuteries manuelles ou électriques (fournies par d'autres)

Pour le contrôle 208-480 Volts :

Panneaux d'entrepreneur (Ex. CP50, 100, 200 ou 3004801)

Panneaux temporisés (Ex. CP404801PT)

Panneaux de pourcentage de temps (Ex. CP404801CT)

*Note : éléments chauffants à gaine métallique uniquement

Sélectionnez les commandes de chauffage pour la tension et l'ampérage nécessaires pour les éléments désignés.

Contactez MEP pour plus de critères de contrôle au 800-642-4328

GARANTIE LIMITÉE

Tous les produits fabriqués par Marley Engineered Products sont garantis contre les défauts au niveau de la main-d'œuvre et des matériaux pendant un (1) an de la date d'achat. Le moteur est garanti contre les défauts au niveau de la main-d'œuvre et des matériaux pendant trois ans de la date d'installation. Cette garantie ne s'applique pas en cas de dommages découlant d'un accident, d'une mauvaise utilisation ou d'une modification, ni où la tension connectée est de plus de 5 % au-dessus de la tension de la plaque signalétique, ni où de l'équipement incorrectement installé ou câblé ou entretenu de manière non conforme aux instructions d'installation du produit. Toutes les réclamations à des fins de garantie doivent être accompagnées par la preuve de la date d'achat.

Le client sera responsable de tous les coûts encourus lors du retrait ou de la réinstallation des produits, y compris les coûts de main-d'œuvre et les frais d'expédition encourus pour retourner les produits à Marley Engineered Products. Dans les limites de cette garantie, les unités non opérationnelles doivent être retournées à Marley Engineered Products. À notre option, nous réparerons ou remplacerons, sans frais pour le client et avec le fret de retour du produit payé par Marley. Il est convenu qu'une telle réparation ou remplacement est la solution exclusive disponible de Marley Engineered Products.

LES GARANTIES CI-DESSUS SONT AU LIEU DE TOUTES LES AUTRES GARANTIES EXPRESSES OU IMPLICITES DE MARCHANDABILITÉ ET D'ADÉQUATION À UNE FIN PARTICULIÈRE QUI DÉPASSE LES GARANTIES EXPRIMÉES SUSMENTIONNÉES ET SONT PAR LES PRÉSENTES REJETÉES ET EXCLUES DU PRÉSENT ACCORD. MARLEY ENGINEERED PRODUCTS NE DOIT PAS ÊTRE TENU RESPONSABLE DES DOMMAGES DE CONSÉQUENCE DÉCOULANT DE L'UTILISATION DU PRODUIT, QUE CE SOIT PAR NÉGLIGENCE, RESPONSABILITÉ, RESPONSABILITÉ STRICTE OU CONTRAT.

Certains États/provinces ne permettent pas l'exclusion ou la limitation de dommages incidentels ou consécutifs. L'exclusion ou la limitation ci-haut peuvent ne pas s'appliquer dans votre cas. Cette garantie vous octroie des droits juridiques spécifiques.

Vous pourriez avoir d'autres droits variant d'un État/province à l'autre. Communiquez avec Marley Engineered Products à Bennettsville, SC, au 1 800 642-4328. Les produits retournés à l'usine doivent être accompagnés d'une autorisation de retour et d'une étiquette d'identification de service. Les deux sont disponibles de Marley Engineered Products. Lors de la demande d'une autorisation de retour, indiquez tous les numéros de catalogue illustrés sur les produits.

COMMENT OBTENIR DES INFORMATIONS GÉNÉRALES ET DEMANDER UNE RÉPARATION OU DES PIÈCES SOUS GARANTIE

- | | |
|--|--|
| 1. Réparations et pièces sous garantie | 1-800-642-4328 |
| 2. Achat de pièces de rechange | 1-800-654-3545 |
| 3. Informations générales sur les produits | www.marleymep.com |

Remarque : Lorsque vous demandez de l'assistance, ayez toujours en main

1. Le numéro de modèle du produit
2. La date de fabrication
3. Numéro ou description de la pièce



Marley
Engineered Products

470 Beauty Spot Rd. East
Bennettsville, SC 29512 USA