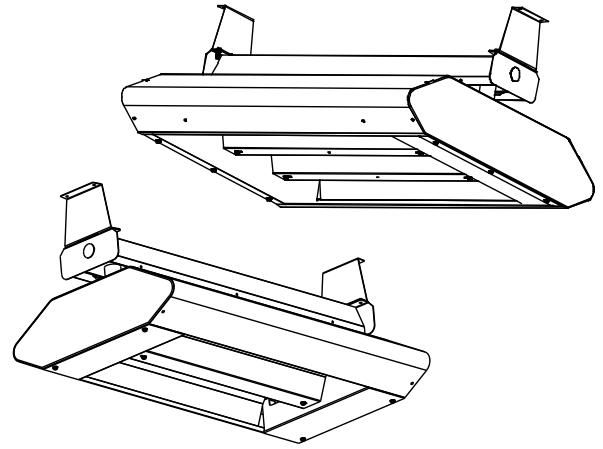




**Marley**  
Engineered Products



# Infrared Heater Elements

MODEL NO.	ELEMENT			USED WITH FIXTURE
	TYPE	VOLTS	WATTS	
2-MS-08-208	Metal Sheath	208	850	RP22 RS22 RP32 RS32
2-MS-08-240		240		
2-MS-08-277		277		
2-MS-08-347		347		
2-MS-08-480		480		
2-MS-08-600		600		
2-QT-10-208	Quartz Tube	208	1000	
2-QT-10-240		240		
2-QT-10-277		277		
2-QL-16-208	Quartz Lamp	208	1600	
2-QL-16-240		240		
2-QL-16-277		277		
2-QL-16-347		347		
2-QL-16-480		480		
2-QL-16-600		600		

MODEL NO.	ELEMENT			USED WITH FIXTURE
	TYPE	VOLTS	WATTS	
3-MS-15-208	Metal Sheath	208	1500	RP23 RS23 RP33 RS33
3-MS-15-240		240		
3-MS-15-277		277		
3-MS-15-347		347		
3-MS-15-480		480		
3-MS-15-600		600		
3-QT-15-208	Quartz Tube	208	1500	
3-QT-15-240		240		
3-QT-15-277		277		
3-QT-15-347		347		
3-QT-15-480		480		
3-QT-15-600		600		
3-QL-25-208	Quartz Lamp	208	2500	
3-QL-25-240		240		
3-QL-25-277		277		
3-QL-25-347		347		
3-QL-25-480		480		
3-QL-25-600		600		

MODEL NO.	ELEMENT			USED WITH FIXTURE
	TYPE	VOLTS	WATTS	
4-MS-20-208	Metal Sheath	208	2000	RP24 RS24 RP34 RS34
4-MS-20-240		240		
4-MS-20-277		277		
4-MS-20-347		347		
4-MS-20-480		480		
4-MS-20-600		600		
4-QT-20-208	Quartz Tube	208	2000	
4-QT-20-240		240		
4-QT-20-277		277		
4-QT-20-347		347		
4-QT-20-480		480		
4-QT-20-600		600		
4-QL-36-347	Quartz Lamp	347	3650	
4-QL-36-480		480		
4-QL-36-600		600		

## WARNING

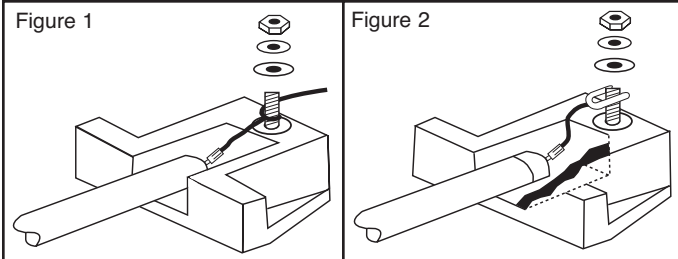
**Read Carefully** - This instruction sheet contains vital information for the proper installation, use, and efficient operation of the heater component described. Carefully read this manual before installation, cleaning, or operation of the heater. Failure to adhere to the instructions could result in fire, electrical shock, death, serious personal injury, or property damage. Save these instructions and review frequently for continuing safe operation and instructing future users.

1. Disconnect all power coming to heater at main service panel before attempting to disassemble heater or install elements.
2. All wiring must be in accordance with local and National

Electrical Codes and the heater must be grounded as a precaution against possible electric shock.

3. Verify the power supply voltage coming to the heater matches the rating printed on the heater nameplate before energizing.
4. For quartz lamp elements, cut away excess lead wire after installation into heater to prevent a possible electric shock or short circuit.
5. Do not handle quartz lamp or quartz tube with bare hands, as salt in perspiration may deteriorate the quartz.
6. Ceramic parts are easily broken. Use care when working with ceramic parts.

**SAVE THESE INSTRUCTIONS**



## WARNING



Excess element lead wires could come in contact with the heater enclosure and create a shock or fire hazard. **CUT OFF ALL EXCESS LEAD MATERIAL.**

### Installation of Quartz Lamp Element

Remove terminal cover at each end of fixture to gain access to terminal blocks. Loosen #10 hex nut on terminal stud, then wrap element lead around terminal one full turn as shown in Figure 1, Step 2. Tighten nut, making sure there is some slack in the lead after the attachment is made.

### Installation of Quartz Tube Element

Remove terminal cover at each end of fixture to gain access to terminal blocks. Loosen #10 hex nut and install element as shown in Figure 2.

### Installation of Metal Sheath Element

#### All unit sizes:

Remove terminal cover at each end of fixture to gain access to terminal blocks. Loosen #10 hex nut, then attach one end of element to terminal stud as shown in Figure 2.

#### 24 Inch Units:

Attach element to other end terminal block and replace terminal covers.

#### 33 Inch and 46 Inch RP2 and RS2 Two Element Units:

With one element attached to terminal, slide insulator over metal sheath element and attach opposite end of element. Complete assembly as shown in Figure 3 using bracket with one mounting hole. Discard extra hardware and bracket with two mounting holes. Replace terminal covers.

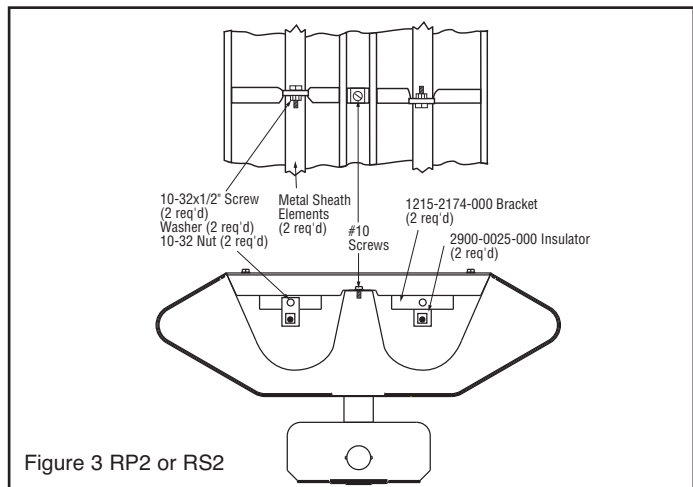


Figure 3 RP2 or RS2

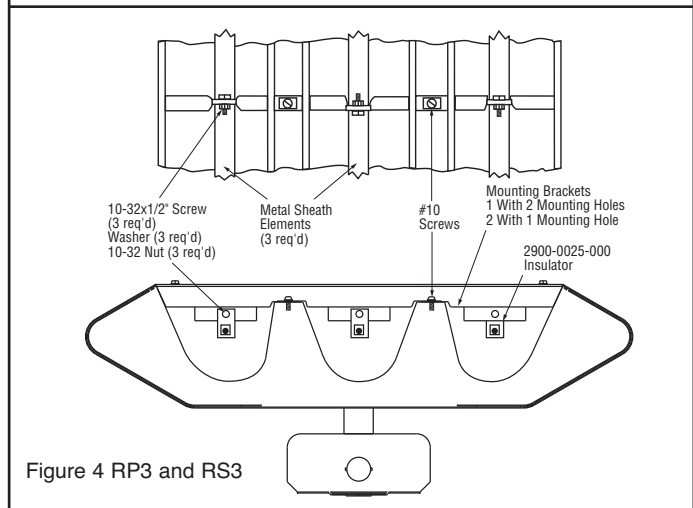


Figure 4 RP3 and RS3

#### RP3 and RS3 Three Element Units:

With one element attached to terminal, slide insulator over metal sheath element and attach opposite end of element. Complete assembly as shown in Figure 4 using bracket with one mounting hole on outside element and using bracket with two mounting holes on middle element. Discard extra hardware and mounting brackets. Replace terminal covers.

## LIMITED WARRANTY

All products manufactured by Marley Engineered Products are warranted against defects in workmanship and materials for one year from date of installation, except metal sheath elements which are warranted against defects in workmanship and materials for two years and quartz tube / quartz lamps for two years from date of installation. This warranty does not apply to damage from accident, misuse, or alteration; nor where the connected voltage is more than 5% above the nameplate voltage; nor to equipment improperly installed or wired or maintained in violation of the product's installation instructions. All claims for warranty work must be accompanied by proof of the date of installation.

The customer shall be responsible for all costs incurred in the removal or reinstallation of products, including labor costs, and shipping costs incurred to return products to Marley Engineered Products Service Center. Within the limitations of this warranty, inoperative units should be returned to the nearest Marley authorized service center or the Marley Engineered Products Service Center, and we will repair or replace, at our option, at no charge to you with return freight paid by Marley. It is agreed that such repair or replacement is the exclusive remedy available from Marley Engineered Products.

THE ABOVE WARRANTIES ARE IN LIEU OF ALL OTHER WARRANTIES EXPRESSED OR IMPLIED, AND ALL IMPLIED WARRANTIES OF MERCHANTABILITY AND FITNESS FOR A PARTICULAR PURPOSE WHICH EXCEED THE AFORESAID EXPRESSED WARRANTIES ARE HEREBY DISCLAIMED AND EXCLUDED FROM THIS AGREEMENT. MARLEY ENGINEERED PRODUCTS SHALL NOT BE LIABLE FOR CONSEQUENTIAL DAMAGES ARISING WITH RESPECT TO THE PRODUCT, WHETHER BASED UPON NEGLIGENCE, TORT, STRICT LIABILITY, OR CONTRACT.

Some states do not allow the exclusion or limitation of incidental or consequential damages, so the above exclusion or limitation may not apply to you. This warranty gives you specific legal rights, and you may also have other rights which vary from state to state.

For the address of your nearest authorized service center, contact Marley Engineered Products in Bennettsville, SC, at 1-800-642-4328. Merchandise returned to the factory must be accompanied by a return authorization and service identification tag, both available from Marley Engineered Products. When requesting return authorization, include all catalog numbers shown on the products.

### HOW TO OBTAIN WARRANTY SERVICE AND WARRANTY PARTS PLUS GENERAL INFORMATION

- |                                |                   |
|--------------------------------|-------------------|
| 1. Warranty Service or Parts   | 1-800-642-4328    |
| 2. Purchase Replacement Parts  | 1-800-654-3545    |
| 3. General Product Information | www.marleymep.com |

Note: When obtaining service always have the following:

1. Model number of the product
2. Date of manufacture
3. Part number or description

Part No. 5200-2452-004  
ECR 38078  
2/09



# Marley

Engineered Products

470 Beauty Spot Rd. East  
Bennettsville, SC 29512 USA