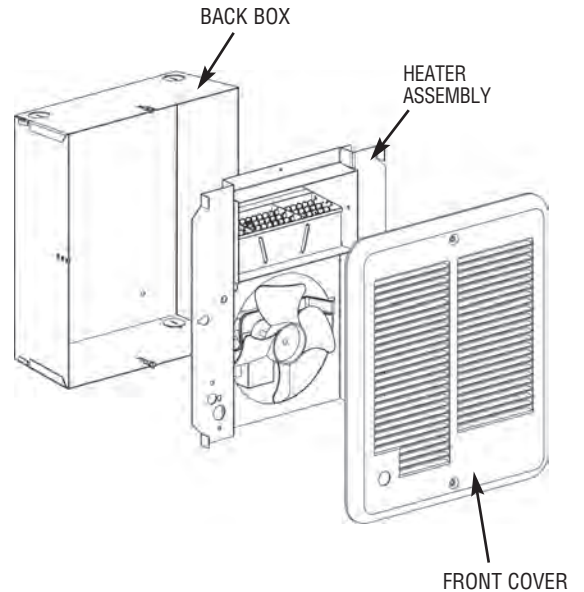




Marley

Engineered Products



C Series B Model Fan-Forced Wall Heaters with Clip'n'Fit® Board

US Patent No. 6,172,343

Installation & Maintenance Instructions

Dear Owner,

Congratulations! Thank you for purchasing this new heater manufactured by Marley Engineered Products. You have made a wise investment selecting the highest quality product in the heating industry. Please carefully read the installation and maintenance instructions shown in this manual. You should enjoy years of efficient heating comfort with this product from Marley Engineered Products... the industry's leader in design, manufacturing, quality and service.

... The Employees of Marley Engineered Products

⚠ WARNING ⚠

Read Carefully - These instructions are written to help you prevent difficulties that might arise during installation of heaters. Studying the instructions first may save you considerable time and money later. Observe the following procedures, and cut your installation time to a minimum. **CAUTION - TO REDUCE RISK OF FIRE AND ELECTRIC SHOCK:**

1. Disconnect all power coming to heater at main service panel before wiring or servicing.
2. All wiring must be in accordance with the National and Local Electrical Codes and the heater must be grounded.
3. Verify the power supply voltage coming to heater matches the ratings printed on the heater nameplate before energizing.
4. This heater is hot when in use. To avoid burns, do not let bare skin touch hot surfaces.
5. Do not insert or allow foreign objects to enter any ventilation or exhaust opening as this may cause an electric shock, fire, or damage to the heater.
6. Grille and discharge air are hot when in use. Do not install or use heater in any area where airflow from heater may be blocked or obstructed. Do not install behind doors, furniture, towel racks, curtains, or boxes. Hot air may damage certain fabrics and plastics. Always keep electrical cords, beddings, crates, drapes, and other combustibles away from heater. Do not install heater in ceiling.
7. A heater has hot and arcing or sparking parts inside. Do not use it in areas where gasoline, paint, or flammable liquids are used or stored.
8. Use this heater only as described in this manual. Any other use

not recommended by the manufacturer may cause fire, electric shock, or injury to persons.

9. This heater is not approved for use in corrosive atmospheres such as marine, green house, or chemical storage areas.
10. When wall mounted, heater must only be installed in a vertical direction (motor below element) as shown in this manual. Do not install sideways, upside down.
11. Heater must be installed with CBB (Type CO2-BB) Back Box.
12. The following minimum clearances must be maintained:
 - Wall Mounting:
 - Heater to floor - 4.5 in. (114 mm)
 - Heater to adjacent wall - 4.5 in. (114 mm)
 - Heater to ceiling - 12 in. (305 mm).
 - Ceiling Mounting (Max 1000 Watts)
 - Heater to any wall - 12" (305mm)
13. When wiring, power supply must enter through knockouts in left side of back box. Do not use the knockouts in right side back box. Refer to Fig. 1.
To determine which side is left or right:
 - 1.) Orient the back box so the "TOP" marking and arrows are visible and upright; and 2.) Ensure that the fan deck is oriented with the element side on the "TOP" side of the back box.
14. Do not operate heater without grille installed.
15. Do not use heater for dry out. Paint, plaster, sawdust, and dry-wall sanding dust will damage heater and must be kept out of heater.
16. Keep heater clean. See maintenance and cleaning instructions on page 3.

SAVE THESE INSTRUCTIONS

GENERAL

Wall Mounted

•The C series heaters are designed for recessed installation in 2 X 4 stud or larger wall using the model CBB (Type CO2-BB) back box. The heater may be wired using standard building (60 degrees C minimum) wire.

•The optimum mounting height for this heater is 18" to 24" (457mm to 610mm) from floor to bottom of back box. In any case, do not install closer than 4.5" (114mm) from the floor or adjacent wall.

Ceiling Mount

•The C Series heaters are designed for ceiling mount provided the wattage does not exceed 1000 watts. In order for your heater to be rated for ceiling application, the heater must be trimmed back to 1000 watts or less. (See Change Wattage Output below)

•The optimum clearances to any wall surface are 12 inches. Do not mount heater in the ceiling if these clearances are not met.

•Ceiling heaters can be recessed or surfaced mounted.

Heaters are also approved for semi-recessed or surface mounting on walls. Refer to instructions for installations of the CSM Surface Mounting frame.

INSTALLATION OF BACK BOX IN NEW CONSTRUCTION

NOTE: If the finished wall surface is already up, follow instructions for "INSTALLATION OF BACK BOX IN EXISTING CONSTRUCTION".

1. Allow for the thickness of the finished surface when installing the back box. The edge of the back box must be installed flush with the finished surface. Markings on the side of the back box for 1/2" or 5/8" finishing wall are provided.

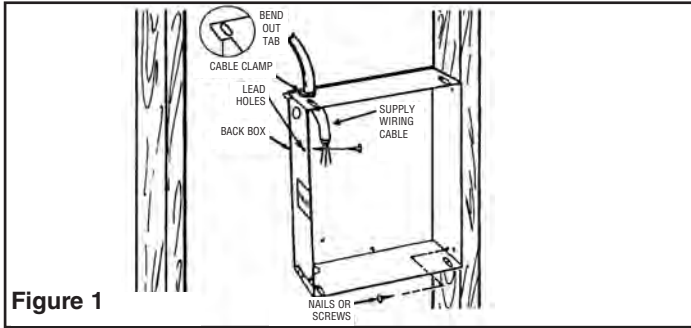


Figure 1

2. Determine which side of the back box is to be mounted against a stud or joist and **bend the tabs at the rear corners out 90 degrees so that the back box will be square with the stud after installation.**
3. Remove one of the knockouts on left side of the back box and install a cable or conduit connector. (See warning 13)
4. Position back box against side with studs or ceiling joist and secure with nails or screws as shown in Figure 1.

NOTE: The back box must be installed to a wall stud or ceiling joist and secured using nails or screws as shown in Figure 1.

5. Run power supply cable through the connector, leaving about 6" of wire inside the box.
6. Connect the supply cable ground wire to green ground wire provided.

NOTE: Lead holes for a #8 sheet metal screw have been provided in the sides of the back box. After the finished wall or ceiling has been put up, drive a #8(m4) sheet metal screw (recommended 1"(25mm) long) through the side of the box not mounted to the stud. This will prevent the back box from pulling out when installing the heater assembly. (See Figure1)

INSTALLATION OF BACK BOX IN EXISTING CONSTRUCTION

1. The edge of the back box must be installed flush with the finished surface. Determine which side of the back box is to be mounted against a stud or joist and **bend the tabs at the rear corners out 90 degrees so that the back box will be square with the stud after installation.** (See Figure 1).
2. Carefully cut a hole measuring 9-3/8"(239mm) wide by 11-1/8"(284mm) long. One edge of the hole must be cut along edge of the wall stud.
3. Bring power supply cable to heater mounting location leaving at least 10"(255mm) of cable for wiring.
4. Remove desired knockout on left side of back box.
5. Install cable clamp to cable and install into back box, leaving at least 6"(152mm) of cable in box for wiring.
6. Connect the supply cable ground wire to green ground wire provided.
7. Fit back box into mounting hole in wall by first inserting cable end of box then rotating box into position.
8. Secure box to wall stud or ceiling joist using nails or screws.

CAUTION

TO PREVENT POSSIBLE WIRING DAMAGE CUT EXCESS SUPPLY WIRE INSIDE BACKBOX TO PROVIDE APPROXIMATELY 6 INCHES FOR CONNECTION TO HEATER LEADS. AFTER CONNECTIONS ARE MADE, MAKE SURE CONNECTIONS ARE TIGHT AND ALL WIRING IS POSITIONED AWAY FROM FAN BLADE AND HEATING ELEMENT.

NOTE: Lead holes for a #8 sheet metal screw have been provided in the sides of the back box. After the finished wall or ceiling has been put up, drive a #8(m4) sheet metal screw (recommended 1"(25mm) long) through the side of the box not mounted to the stud.(joist) This will prevent the back from pulling out when installing the heater assembly. (See Figure 1)

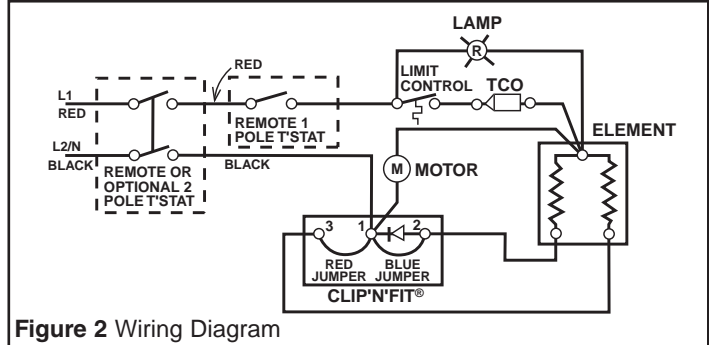


Figure 2 Wiring Diagram

NOTE: Heaters are factory wired per nameplate, voltage and wattage. Refer to Table1, page 3 for details. See "TO CHANGE WATTAGE OUTPUT" section if lower wattage is desired and make change before installing heat deck.

INSTALLATION AND WIRING OF HEATER / FAN ASSEMBLY

1. Following wiring diagram (Figure 2) connect supply wires to heater lead-wires in back box using appropriate wire connectors.

NOTE: For 120 volt heaters connect the white neutral supply lead to the heater's white or red with white flag marker pigtail lead, and connect the black supply lead to the black pigtail lead.

2. Secure supply ground wire under green ground screw in back box (or green ground wire if provided).
3. Fit heater/fan assembly into back box making sure all wiring is positioned away from fan and heating element.and secure in place with (2) screws provided through the center slots in the sides of the fan assembly.

WATTAGE								Jumper 1 Blue Jumper	Jumper 2 Red Jumper
C1512IF C1512T2 @120V	C1524T2 @208V	C2028IF @240V	C2028IF @208V	C2024IF C2024T2 @208V	C2024IF C2024T2 @240V	C2224IF C2224T2 @208V	C2224IF C2224T2 @240V		
1500	1125	1500	2000	1500	2000	1688	2250	Leave In	Leave In
1125	844	1125	1500	1125	1500	1266	1688	Clip Out	Leave In
750	563	750	1000	750	1000	844	1125	Leave In	Clip Out
375	281	375	500	375	500	422	563	Clip Out	Clip Out

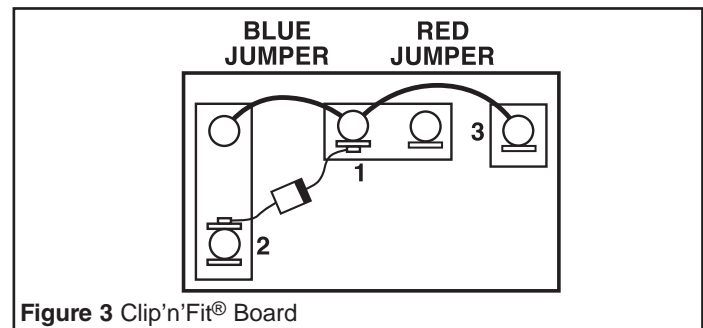


Figure 3 Clip'n'Fit® Board

TO CHANGE WATTAGE OUTPUT

The chart below shows the wattages available by model. Each heater is factory wired for its maximum wattage. The last two columns in the chart refer to the jumpers on the CLIP'N'FIT® Board. To change wattage, clip out jumper 1 and/or jumper 2 as shown in the chart below. Completely remove jumpers by clipping at both ends as close to the board as possible.

INSTALLATION OF FRONT COVER (GRILLE) AND THERMOSTAT KNOB

1. Fasten front cover to heater assembly using the (2) long screws supplied.
2. Fit the thermostat knob onto the thermostat shaft (if provided) and push into place.

HEATER CHECKOUT AND OPERATION

(If internal thermostat provided)

1. After heater is completely assembled, rotate thermostat knob counterclockwise until control stops. This is the minimum heat setting.
2. Turn power supply to heater "ON" at main switch panel.
3. Heater should not operate. If it operates disconnect power and recheck wiring.
4. Rotate thermostat clockwise until it stops (maximum heat setting).
5. Heater and fan should come on. If heater and fan do not come on, disconnect power and check wiring.
6. Allow heater to continue to operate until room temperature reaches desired comfort level. Then rotate thermostat knob counterclockwise slowly until thermostat clicks off.
7. If may be necessary to readjust thermostat a time or so until exact comfort level is attained. Rotation in the clockwise direction will increase the amount of time the heater will produce heat. Rotation in the counterclockwise direction will reduce the amount of time the heater is on.

NOTE: For best results, the heater should be left "ON" constantly during the heating season as the thermostat, when properly set, will maintain the desired temperature. In the full counter-clockwise position the heater will remain off until the room temperature drops well below freezing.

MAINTENANCE



CAUTION

TO REDUCE RISK OF FIRE AND ELECTRIC SHOCK, DISCONNECT ALL POWER COMING TO HEATER AT MAIN SERVICE PANEL BEFORE SERVICING OR PERFORMING MAINTENANCE.

TO CLEAN HEATER: The heater should be cleaned annually for maximum efficiency. Before cleaning be sure power is off and heater is cool. First, remove knob by pulling straight out, then remove front grille and clean blower wheel using a vacuum cleaner with a brush attachment. The grille may be cleaned with a slightly damp rag if desired.

OPERATIONAL NOTICE

Your heater is equipped with an automatic reset limit control that will automatically turn the heater OFF to prevent overheating. Should this occur, the red warning light will illuminate and will continue to shine until the limit resets. Your heater is also equipped with a backup "one shot" thermal protection fuse that will permanently disable the unit, to prevent a fire, if the reset limit fails. If the red warning light illuminates and the heater never restarts, the "one shot" thermal protection fuse has been activated and you should consult the factory.

TABLE 1

MODEL	VOLTS	WATTS/AMPS	WATTS/AMPS	WATTS/AMPS	WATTS/AMPS
C1512IF	120	1500W/12.5	1125W/9.4	750W/6.3	375W/3.1
C1512T2					
C1524T2	240	1500W/6.3	1125W/4.7	750W/3.1	375W/1.6
	208	1125W/5.4	844W/4.1	563W/2.7	281W/1.4
C2028IF	208	200W/9.6	1500W/7.2	1000W/4.8	500W/2.4
C2024IF	240	2000W/8.3	1500W/6.3	1000W/4.2	500W/2.1
C2024T2	208	1500W/7.2	1125W/5.4	750W/3.6	375W/1.8
C2224IF	240	2250W/9.4	1688W/7.0	1125W/4.7	563W/2.3
C2224T2	208	1688W/8.1	1266W/6.1	844W/4.1	422W/2.0

NOTE: "IF" Inner Frame models must be used with CBB (Type CO2-BB) Back Box. "T2" Thermostat Models include integral thermostat.

NOTE: For installations over 7500 ft. above sea level we recommend to use heaters with wattages under 1500 watts.

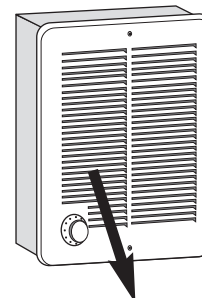
TABLE 2

TOTAL AMPS	WIRE SIZE (COPPER)	CIRCUIT BREAKER OR FUSE SIZE
0 thru 12	#14	15 Amps
12.1 thru 16	#12	20 Amps

CAUTION



THE ILLUMINATED INDICATOR LIGHT SIGNIFIES THE HEATER HAS BEEN SUBJECTED TO SOME ABNORMAL CONDITION CAUSING IT TO OVERHEAT. CHECK HEATER TO INSURE THAT IT HAS NOT BEEN BLOCKED IN ANY MANNER (IF SO, REMOVE BLOCKAGE). IF THERE IS NO INDICATION OF BLOCKAGE IT IS RECOMMENDED THE HEATER BE CHECKED BY A REPUTABLE ELECTRICIAN OR REPAIR SERVICE TO INSURE THE HEATER HAS NOT BEEN DAMAGED. DO NOT CONTINUE TO USE HEATER IF LIGHT IS ON.



NAMEPLATE

MODEL NO. **C2224IFB** DATE CODE **0403**

FAN FORCED WALL HEATERS
CALEFACTOR DE PARED CON VENTILADOR
APPAREL MURAL À AIR PULSÉ POUR

240/208 2250/1688/1125/563
VOLTS AC 1688/1266/844/422
9.4/7.0/4.7/2.3 WATTS
8.1/6.1/4.1/2.0 60HZ1PH
AMPS



774G LISTED
ROOM HEATER

TYPE
CO2

USE ONLY WITH CO2-BB BACK BOX.
DO NOT OPERATE WITH FRONT GRILLE IN PLACE.

SÓLO DEBE USARSE CON LA CAJA POSTERIOR CO2-BB.
NO DEBE ENCENDERSE SIN LA REJILLA.

UTILISER SEULEMENT AVEC UN BOÎTIERIER ARRIÈRE CO2-BB.
NE PAS UTILISER SE LA GRILLE N'EST PAS EN PLACE.

MARLEY ENGINEERED PRODUCTS
BENNETTSVILLE, SC 29512 USA

4104-2218-005

LIMITED WARRANTY

All products manufactured by Marley Engineered Products are warranted against defects in workmanship and materials for one year from date of installation, except heating elements which are warranted against defects in workmanship and materials for five years from date of installation. This warranty does not apply to damage from accident, misuse, or alteration; nor where the connected voltage is more than 5% above the nameplate voltage; nor to equipment improperly installed or wired or maintained in violation of the product's installation instructions. All claims for warranty work must be accompanied by proof of the date of installation.

The customer shall be responsible for all costs incurred in the removal or reinstallation of products, including labor costs, and shipping costs incurred to return products to Marley Engineered Products Service Center. Within the limitations of this warranty, inoperative units should be returned to the nearest Marley authorized service center or the Marley Engineered Products Service Center, and we will repair or replace, at our option, at no charge to you with return freight paid by Marley. It is agreed that such repair or replacement is the exclusive remedy available from Marley Engineered Products.

THE ABOVE WARRANTIES ARE IN LIEU OF ALL OTHER WARRANTIES EXPRESSED OR IMPLIED, AND ALL IMPLIED WARRANTIES OF MERCHANTABILITY AND FITNESS FOR A PARTICULAR PURPOSE WHICH EXCEED THE AFORESAID EXPRESSED WARRANTIES ARE HEREBY DISCLAIMED AND EXCLUDED FROM THIS AGREEMENT. MARLEY ENGINEERED PRODUCTS SHALL NOT BE LIABLE FOR CONSEQUENTIAL DAMAGES ARISING WITH RESPECT TO THE PRODUCT, WHETHER BASED UPON NEGLIGENCE, TORT, STRICT LIABILITY, OR CONTRACT.

Some states do not allow the exclusion or limitation of incidental or consequential damages, so the above exclusion or limitation may not apply to you. This warranty gives you specific legal rights, and you may also have other rights which vary from state to state.

For the address of your nearest authorized service center, contact Marley Engineered Products in Bennettsville, SC, at 1-800-642-4328. Merchandise returned to the factory must be accompanied by a return authorization and service identification tag, both available from Marley Engineered Products. When requesting return authorization, include all catalog numbers shown on the products.

HOW TO OBTAIN WARRANTY SERVICE AND WARRANTY PARTS PLUS GENERAL INFORMATION

- | | |
|--------------------------------|---|
| 1. Warranty Service or Parts | 1-800-642-4328 |
| 2. Purchase Replacement Parts | 1-800-654-3545 |
| 3. General Product Information | www.marlemep.com |

Note: When obtaining service always have the following:

1. Model number of the product
2. Date of manufacture
3. Part number or description



Marley
Engineered Products

470 Beauty Spot Rd. East
Bennettsville, SC 29512 USA

ECR 39219

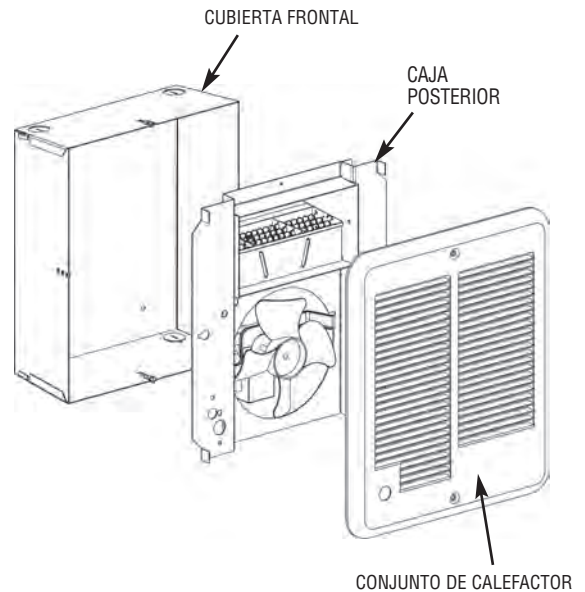
Part No. 5200-2638-004

09/11



Marley

Engineered Products



Serie C Modelo B

Calefactores de pared con ventilador, con placa Clip'n'Fit®

Patente de los E. U. de A. No 6 172 343

Instrucciones de instalación y mantenimiento

Estimado propietario:

¡Felicitaciones! Gracias por comprar este nuevo calefactor fabricado por Marley Engineered Products. Al seleccionar el producto de más alta calidad de la industria de calefacción, usted ha hecho una sabia inversión. Por favor, lea cuidadosamente las instrucciones de instalación y mantenimiento incluídas en este manual. Así podrá disfrutar de años de calefacción confortable y eficiente con este producto de Marley Engineered Products ... el líder de la industria en diseño, fabricación, calidad y servicio.

... Los empleados de Marley Engineered Products



ADVERTENCIA



Lea Cuidadosamente – Estas instrucciones están escritas para ayudarle a superar las dificultades que podrían aparecer durante la instalación de calefactores. El estudio previo de estas instrucciones puede ahorrarle considerable tiempo y dinero en el futuro. Observe los procedimientos que siguen, y reducirá el tiempo de instalación a un mínimo. **ATENCIÓN – PARA REDUCIR EL RIESGO DE INCENDIO Y CHOQUE ELECTRIC:**

1. Antes de proceder a tareas de conexión o de reparación del calefactor, desconecte toda la alimentación eléctrica que llega al mismo desde el tablero principal de servicio.
2. Todo el conexión debe hacerse de conformidad con los Códigos Eléctricos nacionales y locales, y el calefactor debe estar conectado a tierra.
3. Antes de aplicar alimentación eléctrica, verifique que la tensión de alimentación provista al calefactor sea compatible con la tensión nominal impresa en la placa de características del calefactor.
4. Cuando está en funcionamiento, el calefactor está muy caliente. Para evitar quemaduras, no deje que su piel haga contacto directo con las superficies calientes.
5. No inserte ni permita que entren objetos extraños en ninguna abertura de ventilación o de descarga, porque esto puede ser causa de choque eléctrico, incendio o daño al calefactor.
6. Cuando el calefactor está funcionando, la rejilla y la descarga de aire están calientes. No instale ni use el calefactor en cualquier área en la que la circulación del aire desde el mismo pueda estar bloqueada u obstruída. No lo instale detrás de puertas, muebles, toalleros, cortinas o cajas. El aire caliente puede dañar algunas telas y plásticos. Conserve siempre los cordones eléctricos, ropas de cama, cajones, cortinados y otros materiales combustibles alejados del calefactor. No instale el calentador en techo.
7. Un calefactor tiene en su interior piezas calientes, y piezas en donde se producen arcos o chispas. No lo use en áreas en las que se use o almacene gasolina, pintura o líquidos inflamables.
8. Use este calefactor únicamente en la forma prevista en este manual. Cualquier otra forma de uso no recomendada por el fabricante puede ser causa de incendio, choque eléctrico o daños personales.
9. Este calefactor no está aprobado para su uso en atmósferas corrosivas tales como áreas marítimas, invernaderos o lugares de almacenamiento de productos químicos.
10. Cuando se lo monte en una pared, el calefactor debe instalarse únicamente en posición vertical (con el motor debajo del elemento calefactor), como se muestra en este manual. No lo instale sobre un costado, en forma invertida, o en un cielorraso.
11. El calefactor debe instalarse con la Caja Posterior CBB (Tipo CO2-BB).
12. Deben mantenerse las distancias mínimas que se indican a continuación:
 - Para montaje en pared:
 - Del calefactor al piso: 114 mm (4,5")
 - Del calefactor a la pared adyacente: 114 mm (4,5")
 - Del calefactor al cielorraso: 305 mm (12")
 - Montaje en el cielorraso (máx.: 1000 watts)
 - Entre el calefactor y cualquier pared: 305 mm (12")
13. Al tender los cables, la alimentación eléctrica debe ingresar a través de pre-punzonados ubicados en el lado izquierdo de la caja posterior. No use los pre-punzonados del lado derecho de la caja posterior. Vea la Figura 1. Para determinar cuál es el lado izquierdo y cuál el derecho: 1.) Oriente la caja posterior de manera que la marca 'ARRIBA' ('TOP') y las flechas estén visibles y en posición vertical; y 2.) Asegúrese de que la plataforma del ventilador esté orientada con el lado del elemento calefactor sobre el lado 'ARRIBA' ('TOP') de la caja posterior.
14. No haga funcionar el calefactor sin haber instalado la rejilla.
15. No use el calefactor para fines de secado. La pintura, el yeso, el aserrín y el polvo proveniente del lijado de paredes secas provocarán daños al calefactor, por lo que no deben entrar al mismo.
16. Conserve el calefactor limpio. Vea las instrucciones de mantenimiento y de limpieza en la página 3.

GUARDE ESTAS INSTRUCCIONES

GENERALIDADES

Para montaje en pared únicamente

- Los calefactores serie C están diseñados para una instalación empotrada en un travesaño de 50 mm x 100 mm (2" x 4"), o sección de pared mayor, usando la caja posterior modelo CBB (Tipo CO2-BB). El calefactor puede cablearse usando cable estándar para edificios (60 °C como mínimo).
- La altura óptima de montaje para este calefactor es de 457 mm a 610 mm (18" a 24") desde el piso hasta el fondo de la caja posterior. No lo instale en ningún caso a menos de 114 mm (4,5") del piso o de la pared adyacente.

Montaje en el cielorraso

- Los calefactores serie C están diseñados para montaje en el cielorraso, siempre que su potencia no supere 1000 watts. Para que su calefactor sea apto para una aplicación en el cielorraso, se lo debe reajustar a 1000 watts o menos. (Vea más adelante 'Cambio de la potencia')
- El espacio libre óptimo en relación con la superficie de cualquier pared es 30,5 cm (12 pulgadas). No monte el calefactor en el cielorraso si no puede mantenerse esta distancia.
- Los calefactores de cielorraso pueden también instalarse con montaje empotrado o superficial.

Los calefactores están aprobados también para montaje semiempotrado o en superficie, en paredes y cielorrasos. Consulte las instrucciones para instalación del bastidor CSM para Montaje Superficial.

INSTALACION DE LA CAJA POSTERIOR EN UNA CONSTRUCCION NUEVA

NOTA: Si la pared ha sido construida y su superficie terminada anteriormente, siga las instrucciones para 'INSTALACION DE LA CAJA POSTERIOR EN UNA CONSTRUCCION EXISTENTE'.

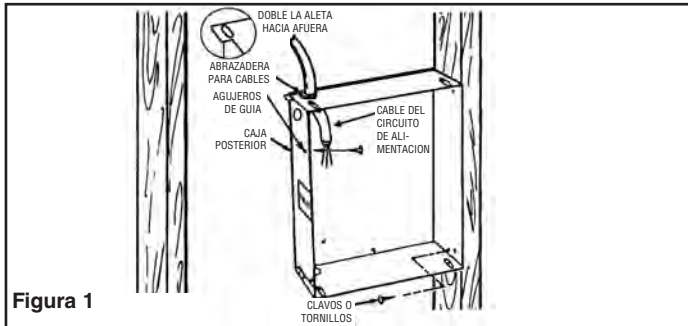


Figura 1

- Al instalar la caja posterior, tenga en cuenta el espesor de la superficie terminada. El borde de la caja posterior debe instalarse enrasado con la superficie terminada. En el costado de la caja posterior se han provisto marcas para paredes terminadas de 13 mm (1/2") y de 16 mm (5/8").
- Determine cuál de los lados de la caja posterior va a montarse contra un travesaño o viga, y **doble las aletas de los ángulos posteriores 90° hacia afuera, de manera que la caja quede escuadrada con el travesaño después de la instalación.**
- Quite uno de los prepunzonados del lado izquierdo de la caja posterior, e instale un conector para cable o para conducto. (Vea la advertencia 13).
- Posicione la caja posterior de lado contra el travesaño o viga del cielorraso, y asegúrela mediante clavos o tornillos, como se muestra en la Figura 1.

NOTA: La caja posterior debe instalarse en un travesaño de la pared o viga del cielorraso, y asegurarse mediante clavos o tornillos, como se muestra en la Figura 1.

- Tienda el cable de alimentación eléctrica a través del conector, dejando alrededor de 15 cm (6") de cable dentro de la caja.
- Conecte el conductor de tierra del cable de alimentación eléctrica al conductor verde de puesta a tierra provisto.

NOTA: En los lados de la caja posterior se han provisto agujeros de guía para tornillos para chapa No 8. Después de haber terminado la pared o el cielorraso, inserte un tornillo para chapa M4 (No 8) (longitud recomendada: 25 mm / 1") a través del lado de la caja que no está montado en el travesaño. Esto impedirá que la caja salga hacia afuera cuando se instale el conjunto del calefactor. (Vea la Figura 1).

INSTALACION DE LA CAJA POSTERIOR EN UNA CONSTRUCCION EXISTENTE

- El borde de la caja posterior debe instalarse enrasado con la superficie terminada. Determine cuál de los lados de la caja posterior va a montarse contra un travesaño o viga, y **doble las aletas de los ángulos posteriores 90° hacia afuera, de manera que la caja quede escuadrada con el travesaño después de la instalación.** (Vea la Figura 1).
- Corte con cuidado un agujero de 239 mm (9-3/8") de ancho por 284 mm (11-1/8") de longitud. Uno de los bordes del agujero debe cortarse a lo largo del borde del travesaño de la pared.
- Haga llegar el cable de alimentación eléctrica al lugar de montaje del calefactor, dejando al menos 255 mm (10") de cable para el conexionado.
- Quite el prepunzonado deseado del lado izquierdo de la caja posterior.
- Instale la abrazadera para cable e instale el cable en la caja, dejando al menos 152 mm (6") de cable en la caja para el conexionado.
- Conecte el conductor de tierra del cable de alimentación eléctrica al conductor verde de puesta a tierra provisto.
- Acomode la caja posterior en el agujero de montaje de la pared, insertando primero el extremo de la caja que tiene el cable, y haciendo girar luego la caja hasta su posición.
- Asegure la caja al travesaño de la pared o viga del cielorraso, por medio de clavos o tornillos.

ATENCION



PARA PREVENIR EXCESO DE ALAMBRE DE LA FUENTE DEL CABLEADO DEL CORTE POSIBLE DEL DAÑOS DENTRO DE BACKBOX PARA PROPORCIONAR APROXIMADAMENTE 6 PULGADAS PARA LA CONEXIÓN A LOS PLOMOS DEL CALENTADOR. DESPUÉS DE QUE LAS CONEXIONES SEAN APRETADAS SEAN APRETADAS Y TODO EL CABLEADO SE COLOCA LEJOS DE LA ASPA DEL VENTILADOR Y DEL ELEMENTO DE CALEFACCIÓN.

NOTA: En los lados de la caja posterior se han provisto agujeros de guía para tornillos para chapa No 8. Después de haber terminado la pared o el cielorraso, inserte un tornillo para chapa M4 (No 8) (longitud recomendada: 25 mm / 1") a través del lado de la caja que no está montado en el travesaño o viga. Esto impedirá que la caja salga hacia afuera cuando se instale el conjunto del calefactor. (Vea la Figura 1).

NOTA: Los calefactores están cableados en fábrica de acuerdo con la tensión y la potencia indicadas en su placa de características. Vea los detalles en la Tabla 1 de la página 3. Si desea una potencia menor, vea la sección 'PARA CAMBIAR LA SALIDA DE POTENCIA', y realice el cambio antes de instalar el calefactor.

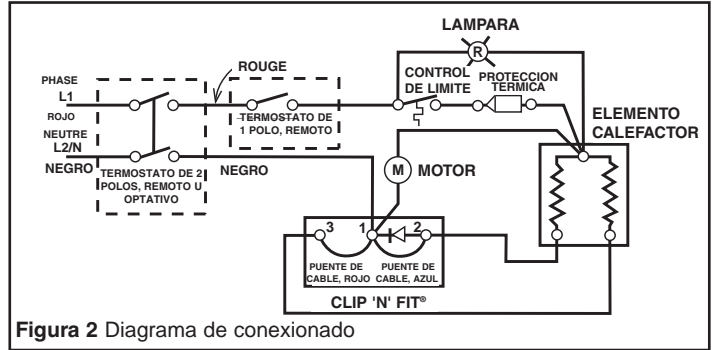


Figura 2 Diagrama de conexión

INSTALACION Y CONEXIONADO DEL CONJUNTO CALEFACTOR / VENTILADOR

- Siguiendo el diagrama de conexión (Figura 2), conecte los conductores de alimentación a los cables de conexión del calefactor situados en la caja posterior, por medio de conectores de cable adecuados.

NOTA: Para calefactores de 120 Volt, conecte el conductor de alimentación eléctrica blanco (neutro) al conductor flexible blanco, o rojo con indicador tipo bandera blanco, del calefactor, y conecte el conductor de alimentación eléctrica negro al conductor flexible negro del calefactor.

- Asegure el conductor de tierra de la alimentación eléctrica bajo el tornillo verde de puesta a tierra de la caja posterior (o el conductor verde de puesta a tierra, si existe).
- Acomode el conjunto calefactor / ventilador en la caja posterior, y sujételo en su posición con los dos (2) tornillos provistos, a través de las ranuras centrales de los lados del conjunto del ventilador.

POTENCIA (Watt)								Punto 1 (Punto de cable, azul)	Punto 2 (Punto de cable, rojo)
C1512IF C1512T2	C1524T2	C2028IF	C2024T2	C2024IF C2024T2	C2224IF C2224T2				
@120V	@208V	@240V	@208V	@208V	@240V	@208V	@240V		
1500	1125	1500	2000	1500	2000	1688	2250	Dejar	Dejar
1125	844	1125	1500	1125	1500	1266	1688	Cortar	Dejar
750	563	750	1000	750	1000	844	1125	Dejar	Cortar
375	281	375	500	375	500	422	563	Cortar	Cortar

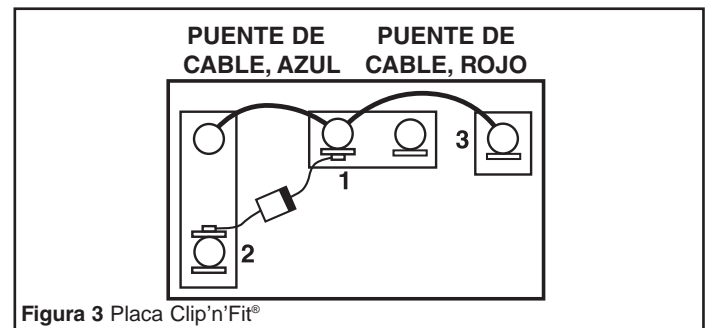


Figura 3 Placa Clip'n'Fit®

PARA CAMBIAR LA SALIDA DE POTENCIA

El cuadro que sigue a continuación muestra las potencias disponibles para cada modelo. Cada calefactor está cableado en fábrica para su potencia máxima. Las últimas dos columnas del cuadro se refieren a los puentes de cable de la placa CLIP'n'FIT®. Para cambiar la potencia corte el puente 1 y/o el puente 2, como se muestra en el cuadro. Elimine los puentes por completo cortándolos en ambos extremos, tan cerca de la placa como sea posible.

INSTALACION DE LA CUBIERTA (REJILLA) FRONTAL Y LA PERILLA DEL TERMOSTATO

1. Sujete la cubierta frontal al conjunto del calefactor por medio de los dos (2) tornillos largos suministrados.
2. Coloque la perilla del termostato sobre el eje del termostato (si lo hubiera), y presiónela hasta su posición.

VERIFICACION Y OPERACION DEL CALEFACTOR

(Si se ha provisto un termostato interno)

1. Después de que el calefactor esté montado por completo, haga girar la perilla del termostato en sentido antihorario hasta que el control llegue a un tope. Esta es la posición de calor mínimo.
2. Conecte la alimentación eléctrica al calefactor en el tablero de distribución principal.
3. En esas condiciones, el calefactor no debe funcionar. Si funciona, desconecte la alimentación eléctrica y vuelva a inspeccionar el conexionado.
4. Haga girar la perilla del termostato en sentido horario hasta que llegue a un tope (posición de calor máximo).
5. El calefactor y el ventilador deben encenderse. Si el calefactor y el ventilador no entran en funcionamiento, desconecte la alimentación eléctrica e inspeccione el conexionado.
6. Deje que el calefactor continúe funcionando hasta que la temperatura ambiente alcance el nivel de confort deseado. Luego haga girar la perilla del termostato lentamente en sentido antihorario, hasta que se escuche el 'clik' que indica que el termostato apagó el calefactor.
7. Puede que sea necesario volver a ajustar el termostato una o más veces hasta que se alcance el nivel de confort exacto. La rotación en sentido horario aumentará el tiempo durante el cual el calefactor producirá calor. La rotación en sentido antihorario reducirá el tiempo durante el cual el calefactor está encendido.

NOTA: Para obtener los mejores resultados, el calefactor debe permanecer constantemente ENCENDIDO ('ON') durante la temporada en que se necesite calefacción, ya que el termostato, siempre que esté correctamente ajustado, mantendrá la temperatura deseada. En la posición extrema en sentido antihorario, el calefactor permanecerá APAGADO ('OFF') hasta que la temperatura de la habitación disminuya bien por debajo del punto de congelación.

MANTENIMIENTO



ATENCION



PARA REDUCIR EL RIESGO DE INCENDIO Y DE CHOQUE ELECTRICO, DESCONECTE TODA LA ALIMENTACION ELECTRICA QUE LLEGA AL CALEFACTOR EN EL TABLERO PRINCIPAL DE SERVICIO ANTES DE PRESTAR SERVICIO O DE REALIZAR EL MANTENIMIENTO.

PARA LIMPIAR EL CALEFACTOR: Para obtener el máximo rendimiento, el calefactor debe limpiarse anualmente. Antes de la limpieza, asegúrese de que la alimentación eléctrica esté desconectada y el calefactor esté frío. En primer lugar retire la perilla tirando de ella directamente hacia afuera, luego retire la rejilla frontal y limpie la rueda del soplador mediante una aspiradora con accesorio de cepillo. Si se desea, puede limpiarse la rejilla con un trapo ligeramente húmedo.

AVISO OPERATIVO

Su calefactor está equipado con un control de límite de temperatura con reposición automática, que apagará automáticamente el calefactor para prevenir el sobrecalentamiento. Si esto ocurriera, la luz roja de advertencia se encenderá, y continuará encendida hasta que el límite vuelva a su estado anterior. Su calefactor está equipado también con un fusible de protección térmica de respaldo del tipo de 'disparo único', que en caso de falla del límite de temperatura desactivará la unidad en forma permanente a fin de prevenir un incendio. Si la luz roja de advertencia está encendida y el calefactor nunca vuelve a arrancar, significa que la protección térmica de 'disparo único' ha sido activada y que debe consultar a la fábrica.

TABLA 1

MODELO	TENSION (VOLT)	POTENCIA (WATT)/ CORRIENTE (A)	POTENCIA (WATT)/ CORRIENTE (A)	POTENCIA (WATT)/ CORRIENTE (A)	POTENCIA (WATT)/ CORRIENTE (A)
C1512IF	120	1500W/12,5	1125W/9,4	750W/6,3	375W/3,1
C1512T2	240	1500W/6,3	1125W/4,7	750W/3,1	375W/1,6
	208	1125W/5,4	844W/4,1	563W/2,7	281W/1,4
C2028IF	208	200W/9,6	1500W/7,2	1000W/4,8	500W/2,4
C2024IF	240	2000W/8,3	1500W/6,3	1000W/4,2	500W/2,1
C2024T2	208	1500W/7,2	1125W/5,4	750W/3,6	375W/1,8
C2224IF	240	2250W/9,4	1688W/7,0	1125W/4,7	563W/2,3
C2224T2	208	1688W/8,1	1266W/6,1	844W/4,1	422W/2,0

NOTA: Los modelos 'IF' de bastidor interior deben usarse con la Caja Posterior CBB (Tipo CO2-BB). Los modelos 'T2' incluyen un termostato incorporado.

NOTA: Para instalaciones situadas a más de 2300 m (7500 pies) por sobre el nivel del mar, recomendamos usar calefactores con potencias menores que 1500 watt.

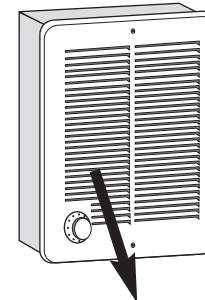
TABLA 2

CORRIENTE TOTAL (A)	CALIBRE DEL CONDUCTOR (COBRE)	TAMAÑO DEL INTERRUPTOR AUTOMATICO O FUSIBLE
0 a 12	No 14	15 A
12,1 a 16	No 12	20 A

ATENCION



LA LUZ INDICADORA ENCENDIDA SIGNIFICA QUE EL CALEFACTOR HA ESTADO SOMETIDO A ALGUNA CONDICION ANORMAL QUE CAUSO SU SOBRECALENTAMIENTO. REVISE EL CALEFACTOR PARA ASEGURARSE DE QUE NO HAYA SIDO BLOQUEADO DE ALGUNA MANERA (SI FUERA ASI, ELIMINE EL BLOQUEO). SI NO HUBIERA INDICACION DE BLOQUEO, SE RECOMIENDA HACER REVISAR EL CALEFACTOR POR UN ELECTRICISTA O SERVICIO DE REPARACION RECONOCIDO, PARA ASEGURARSE DE QUE EL CALEFACTOR NO HAYA SUFRIDO ALGUN DAÑO. SI LA LUZ PERMANECE ENCENDIDA, NO CONTINUE USANDO EL CALEFACTOR.



PLACA DE CARACTERISTICAS

MODEL NO. **C2224IFB**

DATE CODE **0403**

FAN FORCED WALL HEATERS
CALEFACTOR DE PARED CON VENTILADOR
APPAREL MURAL À AIR PULSÉ POUR

240/208 2250/1688/1125/563
VOLTS AC 1688/1266/844/422
9.4/7.0/4.7/2.3 WATTS
8.1/6.1/4.1/2.0 60HZ1PH
AMPS



774G LISTED
ROOM HEATER

TYPE
CO2

USE ONLY WITH CO2-1-3 RACK LOCK.
DO NOT OPERATE WITHOUT GRILLE IN PLACE.

SÓLO DEBE USARSE CON LA CAJA POSTERIOR CO2-BB.
NO DEBE ENCENDERSE SIN LA REJILLA.

UTILISER SEULEMENT AVEC UN BOÎTIERIER ARRIÈRE CO2-BB.
NE PAS UTILISER SE LA GRILLE N'EST PAS EN PLACE.

MARLEY ENGINEERED PRODUCTS
BENNETTSVILLE, SC 29512 USA

4104-2218-005

GARANTIA LIMITADA

Todos los productos fabricados por Marley Engineered Products están garantizados contra defectos de fabricación y de materiales por un año desde la fecha de instalación, a excepción de los elementos calefactores, que están garantizados contra defectos de fabricación y de materiales por cinco años desde la fecha de instalación. Esta garantía no se aplica a daños debidos a accidente, mal uso o alteración, ni a los casos en que la tensión eléctrica conectada supere a la tensión nominal -indicada en la placa de características- en más de un 5 %, ni a equipos que hayan sido instalados o cableados incorrectamente, o mantenidos en forma violatoria de lo indicado en las instrucciones de instalación del producto. Todo reclamo por trabajos en garantía debe acompañarse con una prueba de la fecha de instalación.

El cliente será responsable de todos los costos incurridos en el retiro o reinstalación de productos, incluyendo los costos de mano de obra y los costos de envío incurridos para regresar productos a un Centro de Servicio de Marley Engineered Products. Dentro de las limitaciones de esta garantía, las unidades que no funcionan deben regresarse al centro de servicio autorizado Marley más cercano, o al Centro de Servicio de Marley Engineered Products, y nosotros lo repararemos o reemplazaremos, a nuestra opción, sin cargo para usted, con el flete de retorno pagado por Marley. Se acuerda que tal reparación o reemplazo es el único recurso que Marley Engineered Products pone a su disposición.

LAS GARANTIAS EXPUESTAS MAS ARRIBA TOMAN EL LUGAR DE TODA OTRA GARANTIA, EXPRESA O IMPLICITA, Y POR LA PRESENTE SE DECLINA Y EXCLUYE DE ESTE ACUERDO TODA GARANTIA IMPLICITA DE COMERCIABILIDAD Y ADECUACION A UN PROPOSITO PARTICULAR QUE EXCEDA LAS GARANTIAS EXPRESAS ANTEDICHAS. MARLEY ENGINEERED PRODUCTS NO SE HARA RESPONSABLE POR DAÑOS CONSIGUIENTES QUE SE PRODUZCAN CON RESPECTO AL PRODUCTO, EN BASE YA SEA A NEGLIGENCIA, AGRAVIO, RESPONSABILIDAD ESTRUCTA, O CONTRATO.

Algunos estados o jurisdicciones no permiten la exclusión o limitación de daños incidentales o consiguientes, de modo que la exclusión o limitación expresada más arriba puede no aplicarse a su caso. Esta garantía le da derechos legales específicos, y usted puede tener también otros derechos, que varían de un estado o jurisdicción a otro.

Para obtener la dirección de su centro de servicio autorizado más cercano, comuníquese con Marley Engineered Products, en Bennettsville, SC, Estados Unidos de América, llamando al 1-800-642-4328. Toda mercadería regresada a la fábrica debe ser acompañada por una autorización de retorno y una etiqueta de identificación de servicio, disponibles ambas en Marley Engineered Products. Cuando solicite la autorización de retorno, incluya todos los números de catálogo mostrados en los productos.

COMO OBTENER SERVICIO EN GARANTIA, PIEZAS DE REPUESTO E INFORMACION GENERAL

- | | |
|---|--|
| 1. Servicio o repuestos, en garantía: | 1-800-642-4328 |
| 2. Compra de piezas de repuesto: | 1-800-654-3545 |
| 3. Información general sobre productos: | www.marleymep.com |

Nota: Cuando solicite servicio, siempre dé la información que sigue:

1. Número de modelo del producto
2. Fecha de fabricación
3. Número de parte o descripción



470 Beauty Spot Rd. East
Bennettsville, SC 29512 USA

ECR 39219

09/11

N° document 5200-2638-004



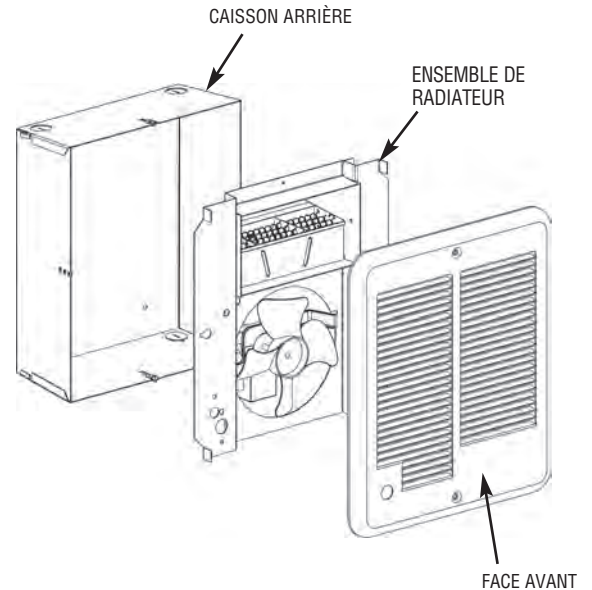
Marley

Engineered Products



Série C modèle B Pulso-radiateurs muraux avec tableau Clip'n'Fit®

Brevet américain No 6,172,343



Instructions d'installation et d'entretien

Cher client,

Félicitations ! Merci d'avoir acheté ce nouveau radiateur fabriqué par une division de Marley Engineered Products. Vous avez fait un sage investissement en sélectionnant un produit de la plus haute qualité dans l'industrie du chauffage. Veuillez lire avec soin les recommandations d'installation et d'entretien données dans ce manuel. Vous devriez bénéficier d'années de confort de chauffage efficace avec ce produit de Marley Engineered Products ... le numéro un de cette industrie en conception, fabrication, qualité et service.

... les employés de Marley Engineered Products



AVERTISSEMENT



À lire attentivement – Ces instructions sont écrites pour vous aider à éviter des difficultés qui pourraient survenir durant l'installation des radiateurs. En les étudiant d'abord vous pouvez économiser ensuite pas mal de temps et d'argent. Observez les procédures qui suivent et réduisez votre temps d'installation à un minimum. **ATTENTION - POUR RÉDUIRE LE RISQUE D'INCENDIE OU DE COMMOTION ÉLECTRIQUE :**

- Débrancher toute alimentation allant vers le radiateur au niveau du tableau de distribution principal avant de câbler ou d'entretenir.
- Tout câblage doit être en conformité avec les réglementations électriques nationales et locales, et le radiateur doit être relié à la terre en précaution contre une possible électrocution.
- Vérifier que le secteur d'alimentation arrivant au radiateur correspond bien aux spécifications imprimées sur sa plaque signalétique avant de le mettre sous tension.
- Ce chauffage est brûlant quand il fonctionne. Pour éviter des brûlures ne pas mettre la peau nue en contact avec ses surfaces.
- Ne pas insérer ou laisser entre des objets étrangers dans n'importe quelle ouverture de ventilation ou évacuation, car cela pourrait causer une commotion électrique, un incendie, ou endommager le radiateur.
- La grille et l'air évacué sont chauds pendant le fonctionnement. Ne pas installer ou utiliser le radiateur dans une zone où le courant d'air du radiateur pourrait être bloqué ou obstrué. Ne l'installez pas derrière portes, meubles, porte-serviettes, rideaux ou boîtier. L'air chaud peut endommager certains tissus ou plastiques. Garder toujours les cordons électriques, literies, caisses, tentures, et autres matières combustibles loin du radiateur. N'installez pas le réchauffeur dans le plafond
- Un radiateur comporte à l'intérieur des parties chaudes et pouvant provoquer un arc électrique (étincelles). Ne pas l'utiliser dans des zones où sont entreposés essence, peinture ou liquides inflammables.
- N'utiliser ce radiateur que comme indiqué dans ce manuel. Toute utilisation non recommandée par le constructeur peut provoquer incendie, commotion électrique et dommages corporels.
- Ce radiateur n'est pas approuvé pour utilisation en atmosphères corrosives, comme air salin, serres ou zones de stockage de produits chimiques.
- Quand il est monté au mur, le radiateur ne doit être placé qu'en position verticale (moteur sous l'élément chauffant) comme montré dans ce manuel. Ne pas le monter de côté ou à l'envers, ou bien au plafond.
- Le radiateur doit être installé avec le caisson arrière CBB (Type CO2-BB).
- Les espacements minimum suivants doivent être respectés en montage mural.
 - Radiateur à plancher - 114 mm (4,5")
 - Radiateur au mur voisin - 114 mm (4,5")
 - Radiateur au plafond - 305 mm (12")
- Montage au plafond (Max. 100 W)
 - Appareil de chauffage sur mur (305 mm)
- Pour le câblage, l'alimentation électrique doit entrer par les pastilles à enfoncer à gauche du coffret arrière. Ne pas utiliser les trous à enfoncer du côté droit du coffret. Se reporter au Schéma 1. Pour déterminer quel est le côté gauche ou droite : 1) Orienter le caisson arrière de façon à ce que le marquage « TOP » est les flèches soient visibles et vers le haut. 2) Vérifier que la plate-forme de ventilateur est orientée avec le côté de l'élément vers le côté « TOP » du caisson arrière.
- Ne pas faire fonctionner le radiateur sans que sa grille soit installée.
- Ne pas utiliser le radiateur pour de l'assèchement. Peinture, plâtre, sciure et poussière de ponçage de cloisons pourraient endommager le radiateur qui ne doit pas y être exposé.
- Garder le radiateur propre. Se reportez aux instructions d'entretien en page 3.

CONSERVER CES INSTRUCTIONS

GÉNÉRALITÉS

Montage mural uniquement

- Les radiateurs Série C sont conçus pour une installation encastrée entre des poteaux muraux 2x4 ou plus, en utilisant le caisson arrière modèle CBB (Type CO2-BB). Le radiateur peut être câblé en utilisant le fil standard pour le bâtiment (supportant au minimum 60°C).
- La hauteur de montage optimale pour le radiateur est 457 à 610 mm (18-24") du sol au bas de caisson. En aucun cas il ne faut le monter à moins de 114 mm (4,5") du sol ou d'un mur adjacent.

Montage au plafond

- Les radiateurs de Série C sont conçus pour pouvoir être montés au plafond si leur puissance ne dépasse pas 1 000 watts. Pour que votre radiateur soit amené à la compatibilité avec une installation au plafond, il faut réduire sa puissance à 1 000 W ou moins (voir plus loin Changement de puissance de sortie).
- Les espacements optimum par rapport à toute surface de cloison sont de 30 cm (12"). Ne montez pas le chauffage si ces espacements ne sont pas respectés.
- Les radiateurs au plafond peuvent être aussi montés encastrés ou affleurants.

Les radiateurs sont également approuvés pour un montage à demi encastré ou en surface, sur murs ou plafonds. Reportez-vous aux instructions pour les installations du cadre CSM pour montage en surface.

INSTALLATION DU CAISSON ARRIÈRE DANS UNE CONSTRUCTION NEUVE

REMARQUE : Si la finition de surface des murs est déjà mise en place, suivez les instructions plus loin de « INSTALLATION DU CAISSON ARRIÈRE DANS UNE CONSTRUCTION TERMINÉE ».

- Prévoyez l'épaisseur de la finition de surface quand vous installez le caisson arrière. Ses bords doivent être installés au même niveau que la surface de finition future. Il y a des repères sur les côtés du caisson pour des épaisseurs de finitions de 12,7 et 15,9 mm (1/2 et 5/8").

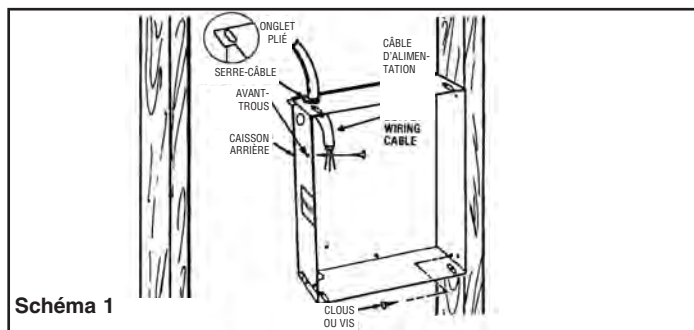


Schéma 1

- Déterminez quel côté du caisson arrière sera placé contre un poteau ou une solive et **pliez les onglets des angles arrière en les sortant à 90° pour que le caisson arrière soit d'équerre avec le poteau après l'installation.**
- Enlevez l'un des trous à enfoncer du côté gauche du caisson arrière et installez un raccordement de câble ou de conduite (voir l'avertissement 13).
- Positionnez le caisson arrière contre le poteau mural ou la solive de plafond et fixez-le en utilisant des clous ou des vis comme indiqué au Schéma 1.

REMARQUE : Le caisson arrière doit être installé sur un poteau mural ou une solive de plafond et maintenu en utilisant des vis ou des clous comme indiqué au Schéma 1.

- Passez le câble d'alimentation au travers du raccordement, en laissant environ 15 cm (6") de câble dans le caisson.
- Branchez le fil de terre du câble d'alimentation avec la vis verte de terre fournie.

REMARQUE : Des avant-trous pour vis à tôle calibre 8 ont été prévus sur les côtés du caisson arrière. Une fois que le revêtement de mur ou de plafond a été mis en place, enfoncez une vis à tôle calibre 8 de longueur recommandée de 25 mm (1") au travers du côté du caisson qui n'est pas contre le poteau ou la solive. Cela empêchera le caisson de se désengager quand vous monterez l'ensemble de radiateur dedans (voir le Schéma 1).

INSTALLATION DU CAISSON ARRIÈRE DANS UNE CONSTRUCTION TERMINÉE

- Les bords du caisson arrière doivent être installés au même niveau que la surface de finition actuelle. Déterminez quel côté du caisson arrière sera placé contre un poteau ou une solive et **pliez les onglets des angles arrière en les sortant à 90° pour que le caisson arrière soit d'équerre avec le poteau après l'installation** (voir le Schéma 1).
- Découpez avec précautions une ouverture rectangulaire de 239 mm (9-3/8") de large sur 284 mm (11-1/8"). Un des bords de l'ouverture doit être contre un poteau mural ou une solive de plafond.
- Tirez un câble d'alimentation jusqu'à l'emplacement de montage du radiateur en laissant au moins 255 cm (10") de câble sorti pour le raccordement.
- Enlevez l'un des trous à enfoncer du côté gauche du caisson arrière.
- Enfilez un passe-fil sur le câble et placez-le sur le trou du caisson arrière, en laissant au moins 152 mm (6") de câble dans le caisson pour le raccordement.
- Branchez le fil de terre du câble d'alimentation avec la vis verte de terre fournie.
- Faites entrer le caisson arrière dans l'ouverture, en insérant d'abord le côté du caisson d'entrée du câble d'alimentation puis en faisant pivoter le caisson en place.
- Fixez le caisson contre le poteau ou la solive en utilisant des clous ou des vis.

REMARQUE : Des avant-trous pour vis à tôle calibre 8 ont été prévus sur les côtés du caisson arrière. Enfoncez une vis à tôle calibre 8 de longueur recommandée de 25 mm (1") au travers du côté du caisson qui n'est pas contre le poteau ou la solive. Cela empêchera le caisson de se désengager quand vous monterez l'ensemble de radiateur dedans (voir le Schéma 1).

ATTENTION



POUR EMPÊCHER LE FIL EXCESSIF D'APPROVISIONNEMENT DE CÂBLAGE DE COUPE POSSIBLE DE DOMMAGES À L'INTÉRIEUR DE BACKBOX POUR FOURNIR APPROXIMATIVEMENT 6 POUÇES POUR LE RACCORDEMENT AUX FILS DE RÉCHAUFFEUR. APRÈS QUE LES RACCORDEMENTS SOIENT SERRÉS SOIENT SERRÉS ET TOUT LE CÂBLAGE EST PLACÉ LOIN DE LA PALE DE VENTILATEUR ET DE L'ÉLÉMENT DE CHAUFFE.

REMARQUE : Les radiateurs ont leur câblage interne configuré à l'usine en conformité avec leur plaque signalétique donnant modèle, tension et puissance. Reportez-vous au tableau 1 en page 3 pour les détails. Voyez la section POUR MODIFIER LA PUISSANCE DE SORTIE si vous désirez une puissance plus faible et voulez le configurer avant l'installation.

INSTALLATION ET CBLAGE DE L'ENSEMBLE RADIATEUR/VENTILATEUR

- En suivant les indications de raccordement du Schéma 2, branchez les fils de l'alimentation secteur avec les fils du radiateur dans le caisson arrière, en utilisant des raccords pour fils adéquats.

REMARQUE : Dans le cas des radiateurs en 120 volts, reliez le fil blanc de neutre de l'alimentation avec le fil blanc (ou rouge marqué de blanc en torsade) du radiateur, et reliez le fil noir de phase de l'alimentation avec le fil noir du radiateur.

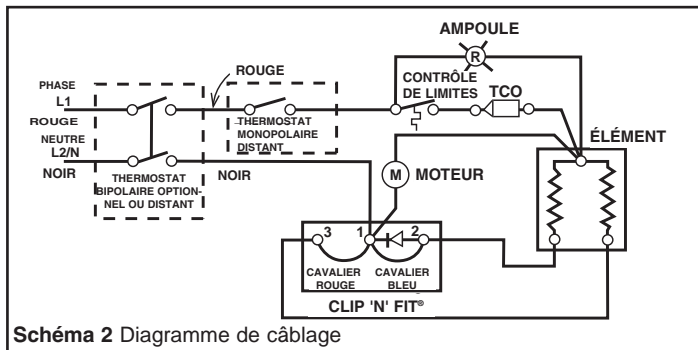


Schéma 2 Diagramme de câblage

- Fixez le fil de terre de l'alimentation sous la vis de terre verte dans le caisson arrière (ou sur le fil vert de terre s'il est disponible).
- Installez l'ensemble radiateur/ventilateur dans le caisson arrière et fixez-le en place avec les deux (2) vis fournies au travers des fentes centrales de l'ensemble de ventilateur.

POUR MODIFIER LA PUISSANCE DE SORTIE

Le tableau ci-dessous donne les puissances en watts possibles par modèles. Chacun des radiateurs est câblé en avance à l'usine pour sa puissance maximale. Les deux dernières colonnes se rapportent au tableau CLIP'n'FIT®. Pour modifier la puissance, il suffit d'enlever ou de laisser les cavaliers comme indiqué dans la table. Enlevez définitivement les cavaliers en les coupant aux deux extrémités aussi près du tableau que possible.

PUISSANCE EN WATTS								Cavalier 1 bleu	Cavalier 2 rouge
C1512IF C1512T2	C1524T2		C2028IF	C2024IF C2024T2		C2224IF C2224T2			
En120V	En208V	En240V	En208V	En208V	En240V	En208V	En240V		
1500	1125	1500	2000	1500	2000	1688	2250	Laisser	Laisser
1125	844	1125	1500	1125	1500	1266	1688	Couper	Laisser
750	563	750	1000	750	1000	844	1125	Laisser	Couper
375	281	375	500	375	500	422	563	Couper	Couper

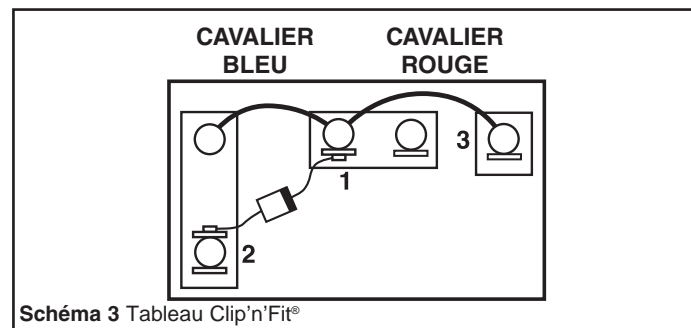


Schéma 3 Tableau Clip'n'Fit®

INSTALLATION DU COUVERCLE AVANT (GRILLE) ET DU BOUTON DE THERMOSTAT

- Fixez le couvercle avant sur l'ensemble de radiateur en utilisant les deux (2) vis longues fournies.
- Placez le bouton de thermostat sur l'axe de réglage du thermostat (si un thermostat interne est fourni) et enfoncez-le en position.

VÉRIFICATION ET UTILISATION DU RADIATEUR

(dans le cas où un thermostat interne est fourni)

- Après l'installation complète du radiateur, faites tourner le bouton du radiateur dans le sens inverse du sens des aiguilles d'une montre jusqu'au butoir d'arrêt. Cela correspond au réglage de température minimum.
- Mettez le radiateur sous tension par le commutateur principal du panneau.
- Le radiateur ne devrait pas s'activer. S'il le faisait coupez son alimentation et vérifiez le câblage.
- Faites tourner le bouton du thermostat dans le sens des aiguilles d'une montre jusqu'à sa butée d'arrêt (réglage de température maximum).
- Le chauffage et le ventilateur doivent entrer en action. Si le radiateur et le ventilateur n'ont pas démarré, coupez l'alimentation et vérifiez le câblage.
- Laissez le radiateur fonctionner jusqu'à ce que la température de la pièce atteigne la température confortable souhaitée. Tournez alors le bouton du thermostat doucement dans le sens inverse des aiguilles d'une montre jusqu'à ce que le thermostat coupe le contact.
- Il peut être nécessaire de régler à nouveau le thermostat de temps en temps jusqu'à ce que l'équilibre de température moyenne voulue soit atteint. La rotation dans le sens des aiguilles d'une montre va augmenter la durée de génération de chaleur du radiateur, Et dans le sens inverse pas réduire sa durée de chauffe.

REMARQUE : Pour les meilleurs résultats, le radiateur doit rester en marche (ON) en permanence durant la saison de chauffage, du fait que le thermostat s'il est bien réglé va maintenir le bonne température. Dans la position de bouton de thermostat tourné à fond dans le sens contraire des aiguilles d'une montre, le radiateur va rester inactif jusqu'à ce que la température ambiante descende au dessous du niveau de gel.

ENTRETIEN



ATTENTION



POUR RÉDUIRE LES RISQUES D'INCENDIE OU D'ÉLECTROCUTION, DÉBRANCHEZ COMPLÈTEMENT L'ALIMENTATION ÉLECTRIQUE DU RADIATEUR EN AMONT AVANT DE LE DÉPANNER OU D'INTERVENIR DESSUS.

NETTOYAGE DU RADIATEUR : Le radiateur doit être nettoyé annuellement pour préserver toute son efficacité. Avant de le nettoyer vérifiez que son alimentation est coupée et qu'il a refroidi. Enlevez d'abord le bouton de thermostat en le tirant dans l'axe, puis démontez la grille de façade et nettoyez la roue de ventilateur en utilisant un ventilateur avec un suceur à brosse. La grille peut être nettoyée avec un chiffon légèrement humide si nécessaire.

CONSEIL D'UTILISATION

Votre radiateur est équipé d'un contrôle automatique de restauration sur limite qui va automatiquement le couper pour éviter sa surchauffe. Si cela se produisait le voyant rouge d'avertissement s'allumerait et resterait allumé temps que la limite resterait dépassée. Votre radiateur est également équipé avec un fusible de dernier recours consommable pour une protection thermique évitant l'incendie, au cas où la coupure précédente sur limite n'aurait pas fonctionné. Si le voyant rouge reste allumé sans que le radiateur ne s'active à nouveau, c'est que ce fusible de dernier secours s'est grillé et vous devez consulter l'usine.

TABLEAU 1

MODÈLE	VOLTS	WATTS / AMPÈRES	WATTS / AMPÈRES	WATTS / AMPÈRES	WATTS / AMPÈRES
C1512IF C1512T2	120	1500W/12,5	1125W/9,4	750W/6,3	375W/3,1
C1524T2	240	1500W/6,3	1125W/4,7	750W/3,1	375W/1,6
	208	1125W/5,4	844W/4,1	563W/2,7	281W/1,4
C2028IF	208	200W/9,6	1500W/7,2	1000W/4,8	500W/2,4
C2024IF	240	2000W/8,3	1500W/6,3	1000W/4,2	500W/2,1
C2024T2	208	1500W/7,2	1125W/5,4	750W/3,6	375W/1,8
C2224IF	240	2250W/9,4	1688W/7,0	1125W/4,7	563W/2,3
C2224T2	208	1688W/8,1	1266W/6,1	844W/4,1	422W/2,0

REMARQUE : Des modèles « IF » à châssis intérieur doivent être utilisés avec le caisson arrière CBB (type CO2-BB). Les modèles « T2 » incorporent un thermostat intégré.

REMARQUE : Pour les installations à plus de 2 300 mètres au dessus du niveau de la mer, nous vous recommandons d'utiliser des radiateurs de moins de 1 500 watts de puissance.

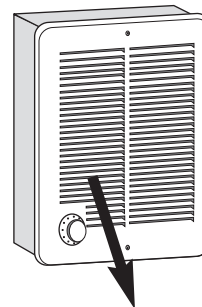
TABLEAU 2

COURANT MAXIMUM	TAILLE DE FILS (CUIVRE)	CALIBRE DE DISJONCTEUR OU DE FUSIBLE EN AMONT
0 à 12 A	14	15 A
12,1 à 16 A	12	20 A

ATTENTION



LE VOYANT INDICATEUR ALLUMÉ SIGNALE QUE LE RADIATEUR A ÉTÉ SOUMIS À DES CONDITIONS ANORMALES QUI L'ONT MIS EN SURCHAUFFE. VÉRIFIEZ-LE POUR VOUS ASSURER QUE SON VENTILATEUR N'A PAS ÉTÉ BLOQUÉ D'UNE FAÇON OU D'UNE AUTRE (S'IL Y A LIEU DÉBLOQUEZ-LE). S'IL N'Y A PAS D'INDICATION DE BLOCAGE IL EST RECOMMANDÉ DE FAIRE VÉRIFIER CE RADIATEUR PAR UN ÉLECTRICIEN QUALIFIÉ OU UN CENTRE DE RÉPARATIONS, POUR VÉRIFIER QU'IL N'A PAS ÉTÉ ENDOMMAGÉ. N'ES-SAYEZ PAS DE CONTINUER À UTILISER LE RADIATEUR SI SON VOYANT RESTE ALLUMÉ.



PLAQUE SIGNALÉTIQUE

MODEL NO. **C2224IFB**

DATE CODE **0403**

FAN FORCED WALL HEATERS
CALEFACTOR DE PARED CON VENTILADOR
APPAREL MURAL À AIR PULSÉ POUR

240/208 2250/1688/1125/563
VOLTS AC 1688/1266/844/422
9.4/7.0/4.7/2.3 WATTS
8.1/6.1/4.1/2.0 60HZ1PH
AMPS



774G LISTED
ROOM HEATER

TYPE
CO2

USE ONLY WITH CO2-BB BACK BOX
DO NOT OPERATE WITHOUT GRILLE IN PLACE.

SÓLO DEBE USARSE CON LA CAJA POSTERIOR CO2-BB.

NO DEBE ENCENDERSE SIN LA REJILLA.

UTILISER SEULEMENT AVEC UN BOÎTERIER ARRIÈRE CO2-BB.

NE PAS UTILISER SE LA GRILLE N'EST PAS EN PLACE.

MARLEY ENGINEERED PRODUCTS

BENNETTSVILLE, SC 29512 USA

4104-2218-005

GARANTIE LIMITÉE

Tous les produits fabriqués par Marley Engineered Products sont garantis contre les défauts de matériaux et de main d'œuvre pendant un an à compter de la date d'installation, sauf pour les éléments de chauffe qui sont garantis contre les défauts de matériaux et de main d'œuvre pendant cinq ans à compter de la date d'installation. Cette garantie ne s'applique pas à des dommages suite à accident, abus ou altération, ni au cas où le secteur d'alimentation fait plus de 5% au-delà de la tension nominale, ni si l'équipement a été mal installé, mal câblé ou mal entretenu en violation des instructions d'installation données. Toutes les réclamations au titre de la garantie doivent être accompagnées de la preuve de la date d'installation.

Le client prendra en charge tous les frais relatifs au démontage et remontage des produits, y compris les temps de main d'œuvre, et des coûts d'acheminement pour renvoyer les produits défectueux au centre de réparation de Marley Engineered Products. En tenant compte des restrictions énoncées de cette garantie, les unités en panne doivent être renvoyées au centre de service agréé Marley le plus proche, ou centre de Marley Engineered Products, et nous les réparons ou les remplaçons, à notre choix, sans frais pour vous, avec les frais d'expédition en retour payés par Marley. Il est entendu que cette réparation ou ce remplacement constituera la seule compensation fournie par Marley Engineered Products.

CETTE GARANTIE DÉCRITE TIENT LIEU DE TOUTES AUTRES GARANTIES EXPLICITES OU IMPLICITES. TOUTES LES GARANTIES IMPLICITES DE VALEUR MARCHANDE ET D'ADÉQUATION À UN BUT SPÉCIFIQUE QUI EXCÉDERAIENT LA DITE GARANTIE SONT ICI DÉCLINÉES ET EXCLUES DE CET AGRÈMENT. MARLEY ENGINEERED PRODUCTS NE PEUT PAS ÊTRE TENU POUR RESPONSABLE DES DOMMAGES CONSÉCUTIFS SURVENANT DU FAIT DE CE PRODUIT, QU'ILS SOIENT FONDÉS SUR NÉGLIGENCE, TORT, RESPONSABILITÉ STRICTE OU CONTRACTUELLE.

Certains états ne permettent pas l'exclusion ou la limitation pour les dommages annexes ou consécutifs, de ce fait l'exclusion ou limitation plus haut peut n'est pas applicable pour vous. Cette garantie vous donne des droits légaux spécifiques, et vous pourriez avoir d'autres droits qui varient d'un état à l'autre.

Pour obtenir l'adresse du centre de réparation agréé le plus proche de chez vous, contacter Marley Engineered Products à Bennettsville, SC, au 1-800-642-4328. Les marchandises qui nous sont retournées doivent être accompagnées d'une autorisation de retour et d'une étiquette d'identification de réparation, à obtenir de Marley Engineered Products. En formulant cette demande de renvoi, fournir tous les numéros de référence inscrits sur l'appareillage.

COMMENT OBTENIR DU SERVICE ET DES PIÈCES DANS LE CADRE DE LA GARANTIE ET DES INFORMATIONS GÉNÉRALES SUR LES PRODUITS

- | | |
|--|--|
| 1. Service et pièces sous garantie | 1-800-642-4328 |
| 2. Pièces détachées achetées | 1-800-654-3545 |
| 3. Informations générales sur les produits | www.marlymep.com |

Remarque - Pour obtenir le service sous garantie vous devez toujours avoir préparé :

1. Référence de modèle du produit
2. Date de fabrication
3. Numéro ou description de pièce



470 Beauty Spot Rd. East
Bennettsville, SC 29512 USA

ECR 39219

09/11

No document 5200-2638-004