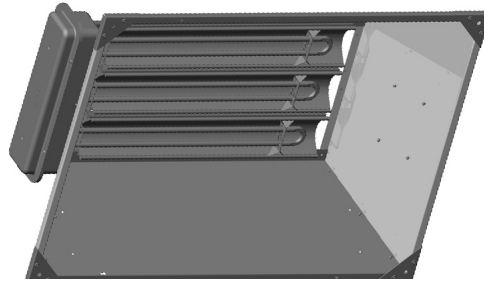
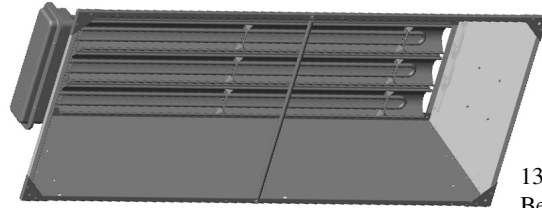




**Marley**  
 Engineered Products  
 An **SPX** Company



6kW Fixed Heater  
 Before Conversion  
 See Page 2 – Fig. 1



13.5 kW Fixed Heater  
 Before Conversion  
 See Page 3 – Fig. 1

**6KW & 13.5KW  
 CART KIT  
 For Conversion from  
 Fixed to Portable**

## Installation & Maintenance Instructions

Dear Owner,

*Congratulations! Thank you for purchasing this new heater by Marley Engineered Products. You have made a wise investment selecting the highest quality product in the heating industry. Please carefully read the installation and maintenance instructions shown in this manual. You should enjoy years of efficient heating comfort with this product from Marley Engineered Products... the industry's leader in design, manufacturing, quality and service.*

... The Employees of Marley Engineered Products

### **WARNING**

**Read Carefully-**These instructions are written to help you prevent difficulties that might arise during installation of heaters. Studying the instructions first may save you considerable time and money later. Observe the following procedures and cut your installation time to a minimum. To reduce risk of fire, electric shock or falling:

1. Read all instructions before using the heater.
2. Do NOT use this heater as a residential or household heater.
3. This heater is hot when in use. To avoid burns, do not let bare skin touch hot surfaces. Keep combustible materials, such as furniture and papers at least 5 feet from the front of the heater.
4. Always disconnect the heater when not in use.
5. To prevent possible electrical shock, disconnect ALL power coming to heater at main service panel before wiring or servicing.
6. All wiring must be in accordance with the National and Local Electrical Codes and the heater must be grounded as a precaution against possible electrical shock.
7. Verify the power supply voltage coming to the heater matches the ratings printed on the heater nameplate before energizing.
8. This heater is NOT suitable for use in hazardous locations as described by the National Fire Protection Association (NFPA). This heater has hot and arcing or sparking parts inside. DO NOT use in areas where gasoline, paint or other flammable liquids are used or stored.
9. This heater is intended for Ceiling Installation ONLY(except as noted below). The following clearances MUST be maintained:
  - a) Top of heater to ceiling - 24" (640 mm)
  - b) Bottom of heater to floor - 10' (3048 mm)
  - c) Side of heater to wall - 36" (914 mm)
  - d) End of heater to wall - 36" (914 mm)
  - e) Side of heater to side of adjacent heater - 36" (914 mm)
  - f) End of heater to end of adjacent heater - 36" (914 mm)
10. Under special controlled conditions this heater may be converted for use as a movable heater by installation of the optional Portable Cart Kit, Cord Kits, Grille Kit and Tip Over Kits. **Extreme care must be taken when using this heater as a movable unit! The heater operates at very high temperatures and could cause a fire if placed too close to combustible materials. NEVER OPERATE THIS HEATER AS A MOVABLE UNIT WHILE UNATTENDED.** Always maintain at least the minimum clearances as stated above. If the Tip Over Kit is not provided, the heater could cause a fire if it falls over.
11. Heater MUST be securely fastened to the building structure to prevent it from falling.
12. DO NOT stack or store combustible materials in the radiation path under the heater. At least 5' (1524 mm) clearance MUST be maintained between bottom of heater and combustibles.
13. If used as a cord connected movable heater, always make sure the outlet or power source to which the heater is connected is properly grounded. Use of the heater with an extension cord is not recommended. If one must be used, it must be provided with a grounding conductor and must be rated to handle a load of at least 125% of the maximum heater ampere load. Always inspect the cord for damage before each use and do not use if damaged. Route cord so it is not subject to being damaged during use.
14. In order to prevent equipment damage, protect with a ground fault device such as Marley Engineered Products WMGF240 for 240V heaters and WMGF480 for 480 volt heaters.
15. Use this heater only as described in this manual. Any other use not recommended by the manufacturer may cause fire, electric shock or injury to persons.

**SAVE THESE INSTRUCTIONS**

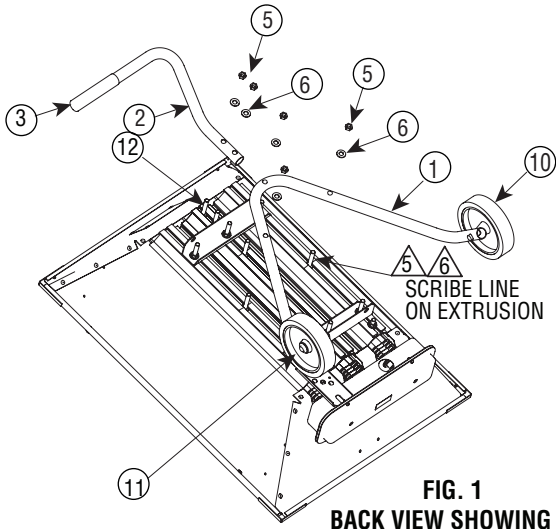
No. 305343003

**INSTRUCTIONS FOR CONVERTING  
6.0KW FIXED TO PORTABLE STYLE  
(Installation of Cart making it a Portable  
Heater Voids UL Listing)**

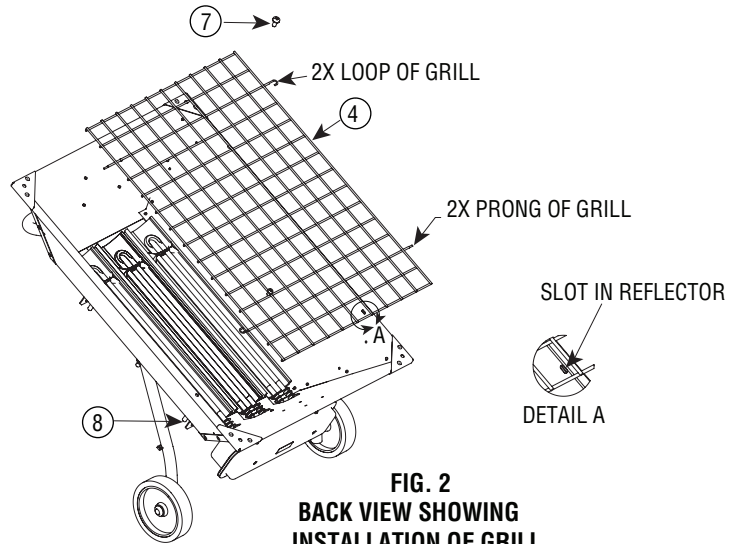
1. The kit (M60 and MWG60) that converts a 6.0 KW fixed style radiant heater includes the following parts. Verify that all parts are included, if not, contact the Marley Engineered Products Service Department.

Item	Description	Part No.	Qty
(1)	Cart - Lower	176-304890-003	1
(2)	Cart - Upper	139-304889-001	1
(3)	Vinyl Grip	024-304894-001	1
(4)	Grill	134-304892-003	1
(5)	Nut - 3/8-16	200-890428-037	5
(6)	Lockwasher - 3/8	328-890158-021	5
(7)	Screw - 1/4-20 x 1/2" LG	248-075512-123	2
(8)	Nut - Square, 1/4-20	200-048688-007	2
(9)	Instruction Sheet	5200-2648-001	1
(10)	Wheel	333-557518-001	2
(11)	Cap	039-510848-001	2
(12)	3/8-16x2" Bolt	345-075595-040	2

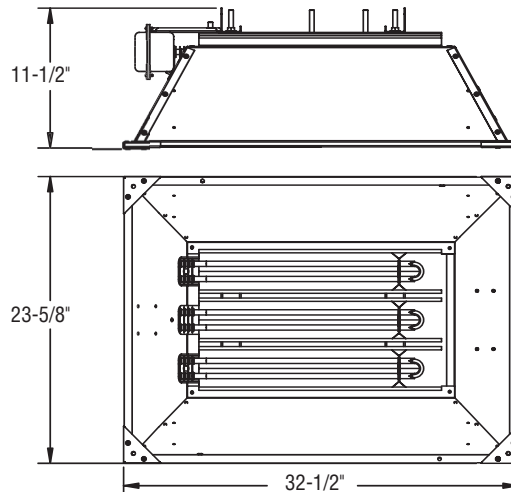
2. Lay heater face down on floor or workbench as shown in fig. 1.
3. Slide two bolts (12) into groove of center extrusion.
4. Place upper cart (2) on studs as shown in fig. 1. Secure in place with lockwashers (6) and nuts (5).
5. Push vinyl grip (3) over end of upper cart (2).
6. Slide the three bolts in the extrusion to line up with the scribe lines on the aluminum extrusion.
7. Place lower cart (1) onto the three studs. Secure in place with lockwashers (6) and nuts (5). Tip: finger tighten nuts only at this time.
8. Rotate heater vertically. Check to make certain heater sits properly. If it does wrench tighten the three nuts. If heater does not sit properly, adjust lower Cart (1) and wrench tighten in place.
9. Flip heater over, in preparation for installation of the grill, as shown in fig. 2.
10. Lay grill on front of heater. Insert each prong of the grill into the slot of the reflector. See Detail "A".
11. Insert screws (7) through loops of grill and holes in reflector. Thread square nuts (8) onto threads of screws. Tip: when removing grill for cleaning, loosen screws one turn and rotate grill prongs from under slots.
12. The addition of the kit, making it a portable heater, voids "UL" and "CSA" listing. The reason for voiding is neither party has a standard for industrial, portable, radiant heaters.



**FIG. 1  
BACK VIEW SHOWING  
INSTALLATION OF CART**



**FIG. 2  
BACK VIEW SHOWING  
INSTALLATION OF GRILL**



**6.0kW Fixed Style Heater**

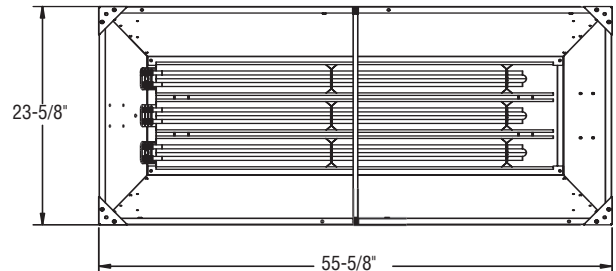
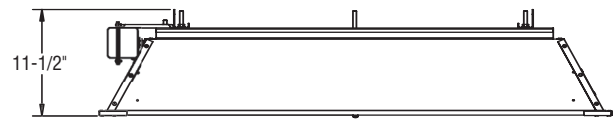
**INSTRUCTIONS FOR CONVERTING  
13.5KW FIXED TO PORTABLE STYLE  
(Installation of Cart making it a Portable  
Heater Voids UL Listing)**

1. The kit (M135 and MWG135) that converts a 13.5 KW fixed style radiant heater into a portable includes the following parts. Verify that all parts are included, if not, contact the Marley Engineered Products Service Department.

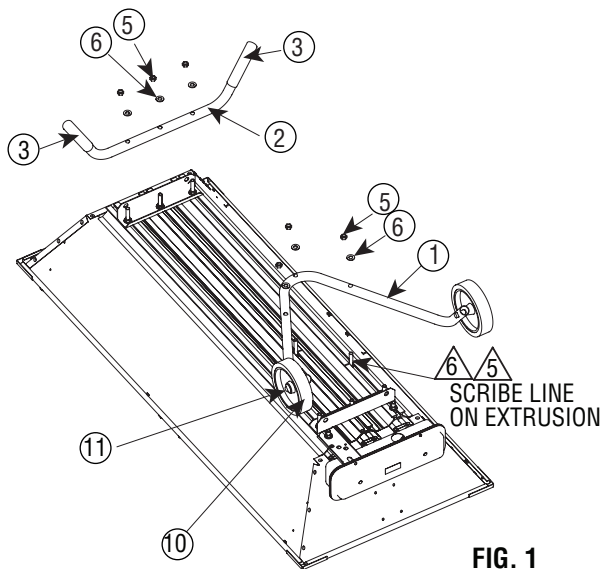
Item	Description	Part No.	Qty
(1)	Cart - Lower	176-304890-004	1
(2)	Cart - Upper	139-304889-002	1
(3)	Vinyl Grip	024-304894-001	2
(4)	Grill	134-304892-003	2
(5)	Nut - 3/8-16	200-890428-037	6
(6)	Lockwasher - 3/8	328-890158-021	6
(7)	Screw - 1/4-20 x 1/2" LG	248-075512-123	4
(8)	Nut - Square, 1/4-20	200-048688-007	4
(9)	Instruction Sheet	5200-2648-001	1
(10)	Wheel	333-557518-001	2
(11)	Cap	039-510848-001	2

- Lay heater face down on floor or workbench as shown in fig. 1.
- Place upper cart (2) on studs as shown in fig. 1. Secure in place with lockwashers (6) and nuts (5).
- Push vinyl grips (3) over ends of upper cart (2).
- Slide three the bolts in the extrusion to line up with the scribe lines on the aluminum extrusion.
- Place lower cart (1) onto the three studs. Secure in place with lockwashers (6) and nuts (5). Tip: finger tighten nuts only at this time.
- Rotate heater vertically. Check to make certain heater sits properly. If it does wrench tighten the three nuts. If heater does not sit properly, adjust lower cart (1) and wrench tighten in place.

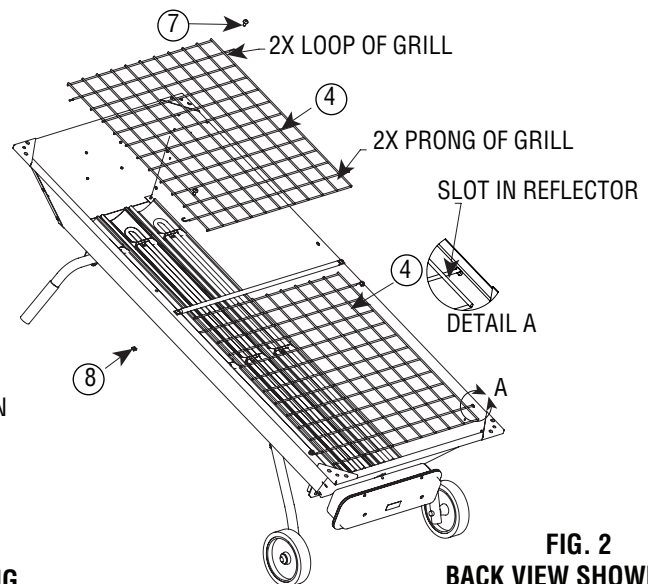
- Flip heater over, in preparation for installation of the grills, as shown in fig. 2.
- Lay grills on front of heater. Insert each prong of the grill into the slots of the reflector. See detail "A".
- Insert screws (7) through loops of grill and holes in reflector. Thread the square nuts (8) onto the threads of screws. Tip: when removing grill(s) for cleaning, loosen screws a turn and rotate grill prongs from under slots.
- The addition of the kit, making it a portable heaters, voids "UL" and "CSA" listing. The reason for the voiding is neither party has a standard for industrial, portable, radiant heaters.



**13.5 kW Fixed Style Heater**



**FIG. 1  
BACK VIEW SHOWING  
INSTALLATION OF CART**



**FIG. 2  
BACK VIEW SHOWING  
INSTALLATION OF GRILL**

**13.5 kW Fixed Style Heater  
Modified to add cart, baffle and grille**



## WARNING



**FIRE HAZARD.** Do not use as a residential or household heater. Keep combustible material away from heater. Do not operate heater where flammable vapors, gases or liquids are present.

To avoid personal injury read "IMPORTANT INSTRUCTIONS" on this page before installation or operation of heater.

### IMPORTANT INSTRUCTIONS

When using electrical appliances, basic precautions should always be followed to reduce risk of fire, electric shock and injury to persons, including the following:

1. Read all instructions before using this heater.
2. This heater is hot when in use. To avoid burns, do not let bare skin touch hot surfaces. Keep combustible materials, such as furniture and papers at least 7 feet from the front of the heater.
3. **Do not leave heater unattended while in operation.**
4. Always disconnect heater when not in use.
5. Do not use outdoors in areas subject to wind.
6. Connect to properly grounded outlets or building ground.
7. This heater has hot surfaces. Do not use it in areas where gasoline, paint or flammable liquids are used or stored.
8. Use this heater only as described in this manual. Any other use not recommended by the manufacturer may cause fire, electric shock or injury to persons.

9. In order to prevent equipment damage, protect with a ground fault device such as Marley Engineered Products WMG240 or WMGF480.
10. These instructions amend the fixed instructions that came with the original heater.

### WIRING

Use type "SO" or equal power cord. Refer to table 1 for proper wire gage and number of conductors.

**TABLE 1. HEATER SELECTION CHART**

MODEL NUMBER	WATTS	VOLTS	PHASE	REFLECTOR ANGLE	ELEMENT TYPE	SHIP WT.	AVAIL.	WIRE GA. (MIN.)					
								1PH	3PH				
M4581B	4,500	208	1	90° Symm	Metal Sheath	18 lbs.	NS	12/3	NA				
M4521B		240					S	12/3	NA				
M4541B		480					S	14/3	NA				
M4561B		600					NS	14/3	NA				
M6083B	6,000	208	1 and 3			90° Symm	Metal Sheath	25 lbs.	NS	10/3	12/4		
M6023B		240	1 and 3						S	10/3	12/4		
M6071B		277	1						NS	10/3	-		
M6043B		480	1 and 3						S	12/3	12/4		
M6063B	600	1 and 3	NS					12/3	12/4				
M13583B	13,500	208	3					90° Symm	Metal Sheath	55 lbs.	NS	NR	6/4
M13523B		240	3								S	NR	8/4
M13571B		277	1								NS	6/3	-
M13543B		480	1 and 3	S	10/3						12/4		
M13543B		480	1 and 3	S	10/3						12/4		
M13563B		600	1 and 3	NS	10/3						12/4		

NA - Not Available

NS - Non Stock

NR - Not Recommended

### LIMITED WARRANTY

All products manufactured by Marley Engineered Products are warranted against defects in workmanship and materials for one year from date of installation, except heating elements which are warranted against defects in workmanship and materials for five years from date of installation. This warranty does not apply to damage from accident, misuse, or alteration; nor where the connected voltage is more than 5% above the nameplate voltage; nor to equipment improperly installed or wired or maintained in violation of the product's installation instructions. All claims for warranty work must be accompanied by proof of the date of installation.

The customer shall be responsible for all costs incurred in the removal or reinstallation of products, including labor costs, and shipping costs incurred to return products to Marley Engineered Products Service Center. Within the limitations of this warranty, inoperative units should be returned to the nearest Marley authorized service center or the Marley Engineered Products Service Center, and we will repair or replace, at our option, at no charge to you with return freight paid by Marley. It is agreed that such repair or replacement is the exclusive remedy available from Marley Engineered Products.

THE ABOVE WARRANTIES ARE IN LIEU OF ALL OTHER WARRANTIES EXPRESSED OR IMPLIED, AND ALL IMPLIED WARRANTIES OF MERCHANTABILITY AND FITNESS FOR A PARTICULAR PURPOSE WHICH EXCEED THE AFORESAID EXPRESSED WARRANTIES ARE HEREBY DISCLAIMED AND EXCLUDED FROM THIS AGREEMENT. MARLEY ENGINEERED PRODUCTS SHALL NOT BE LIABLE FOR CONSEQUENTIAL DAMAGES ARISING WITH RESPECT TO THE PRODUCT, WHETHER BASED UPON NEGLIGENCE, TORT, STRICT LIABILITY, OR CONTRACT.

Some states do not allow the exclusion or limitation of incidental or consequential damages, so the above exclusion or limitation may not apply to you. This warranty gives you specific legal rights, and you may also have other rights which vary from state to state.

For the address of your nearest authorized service center, contact Marley Engineered Products in Bennettsville, SC, at 1-800-642-4328. Merchandise returned to the factory must be accompanied by a return authorization and service identification tag, both available from Marley Engineered Products. When requesting return authorization, include all catalog numbers shown on the products.

### HOW TO OBTAIN WARRANTY SERVICE AND WARRANTY PARTS PLUS GENERAL INFORMATION

1. Warranty Service or Parts **1-800-642-4328**
2. Purchase Replacement Parts **1-800-654-3545**
3. General Product Information **www.marleymep.com**

**Note:** When obtaining service always have the following:

1. Model number of the product
2. Date of manufacture
3. Part number or description



**Marley**  
Engineered Products

An **SPX** Company

470 Beauty Spot Rd. East  
Bennettsville, SC 29512 USA