



INSTALLATION, OPERATING AND MAINTENANCE INSTRUCTIONS FOR QMARK EXPLOSIONPROOF CONVECTION AIR HEATERS USED IN HAZARDOUS LOCATIONS

I. GENERAL

QMARK Explosion-proof Convection Air Heaters are cCSAus certified Class I, Division 1, Groups B, C & D, and Class II, Division 1, Groups E, F & G; Class I, Zone 1 & 2, Group IIB+H2. The heaters are also available in corrosion resistant construction, suitable for NEMA 3, and corrosive environments. The specific heater ratings are shown on the data plate. The heaters are intended for horizontal wall or floor mounting in industrial applications only. Surface temperatures of the cabinet may exceed those normally expected with residential equipment, so the heater should never be installed in a residential or similar environment where drapes or upholstery may come into contact with the heater or where unintended personnel contact may occur.

The maximum operating temperature ignition code is stamped on the data plate. NEVER operate the heater in an atmosphere with an ignition code temperature lower than this rating. The heaters are designed for convection airflow in a maximum ambient temperature of 40°C, 104°F. NEVER operate the heater in a vertical mounting orientation or where the ambient temperature may exceed 40°C, 104°F.

For details on the particular hazardous environments having the potential for explosion, refer to Articles 500 through 516 of the National Electrical Code, and/or Section 18 of the Canadian Electrical Code, Part I.

A. The QMARK Explosion-proof Electric Convection Air Heaters are intended to be permanently mounted to a wall by mounting brackets supplied with the heater or floor mounted with the optional floor mounting brackets. A high temperature limit control is built into the heater. All heaters connected to a 3 phase voltage source and all single phase heaters above 277 Volts or 25 amps will require a control contactor, operated by the limit control, to control the heater. Certain optional controls such as a thermostat and/or contactor and control voltage transformer are available and when supplied with the heater they are supplied inside their own rated enclosures mounted on the right side of the cabinet or supplied as remotely mounted items. When mounted on the cabinet the enclosures are connected to the heater terminal box using rigid metal conduit and the controls are factory wired. Remotely located controls, outside the hazardous

area, may be in a standard enclosure, area permitting. All wiring connections to the heater must be made using rigid metal conduit, and an explosion-proof conduit seal must be located immediately adjacent to the heater. All wiring must comply with all national and local codes for equipment in hazardous locations.

The heaters are specifically designed for each application and should be properly installed, operated and maintained for optimum service life.

B. Disassembly of the unit for installation is not required or authorized. When installing:

1. Observe all heater nameplate ratings, warnings and notes.
2. Follow the wiring diagram supplied with the heater in making all electrical connections.
3. Keep all electrical connections tight.
4. Keep the heater terminal enclosure and heating elements clean.
5. Never cover the heater while in operation.
6. Carefully read and comply with all warnings and cautions.

II. INSTALLATION

A. Site Selection.

- 1.) QMARK Explosion-proof Convection Air Heaters are designed for use only while permanently mounted in a horizontal orientation at a minimum of 6" above the floor.
- 2.) The site must allow sufficient free space around the heater for safe and easy installation and maintenance access. Workspace for heater maintenance should be at least 3 feet all around the front of the heater cabinet and terminal box.
- 3.) Airflow through the heater should not be restricted or blocked in any manner.
- 4.) The site must have adequate means to support the weight of the heater, and provide physical protection to the heater.

=WARNING=

QMARK strongly recommends this heater be installed by qualified personnel familiar with the National Electrical Code and/or the Canadian Electrical Code requirements for hazardous locations as well as any local codes. It is

the responsibility of the installer to verify the safety and suitability of the installation.

=WARNING=

The heater must be mounted horizontally.

=WARNING=

Disassembly of the unit, for installation, is not required or authorized.

=WARNING=

Do not cover the heater or obstruct the free flow of air into or out of the heater.

=WARNING=

Do not install the heater in a residential or similar environment where drapes or upholstery may come into contact with the heater or where unintended personnel contact may occur.

- 2.) Use only an approved explosion-proof means of wiring, such as insulated copper conductors in rigid metal conduit with threaded connections per the NEC or the CEC to make the electrical connections to the heater.
- 3.) Determine the voltage, phase and KW rating of the heater from the heater data plate.
- 4.) The branch circuit voltage and phase must match the heater voltage and phase rating.
- 5.) Calculate the rated load current of the heater as follows:

$$\text{Single Phase Units} = \frac{\text{Kilowatts} \times 1000}{\text{Voltage}} = \text{Rated Load Current}$$

$$\text{Three Phase Units} = \frac{\text{Kilowatts} \times 1000}{\text{Voltage} \times 1.73} = \text{Rated Load Current}$$

- 6.) Use branch circuit supply wires rated for 75°C and the rated load current to connect the heater.
- 7.) For heaters without optional built on thermostat or contactor:

B. Mechanical Installation. Once an acceptable location has been determined, follow these instructions to complete the mechanical installation.

=WARNING=

Disassembly of the unit for installation is not required or authorized.

- 1.) Wall mounted heater.
 - a.) Refer to Figure 1.
 - b.) Mark the mounting screw locations for the wall mounting brackets on the vertical surface.
 - c.) Center punch and/or pilot drill the mounting screw locations.
 - d.) Using four screws (not supplied with the heater) attach the wall mounting brackets to the vertical surface.
 - e.) Lift the heater up and then down over the mounting brackets so that the "V" lip at the top of the brackets engage the slots in the back of the heater cabinet.
 - f.) Make sure that the heater is resting in the bottom of the "V" lip so that the mounting holes at the bottom of the wall mounting bracket align with the mounting holes in the heater cabinet.
 - g.) Fasten the heater to the wall mounting brackets using the 2 screws, washers and nuts provided.

C. Electrical Installation. Follow these instructions to complete the electrical installation:

=WARNING=

Potentially lethal voltages are present. Be sure to lock the branch circuit disconnect switch in the off position and tag the circuit "Out for Maintenance" before working on this equipment.

- 1.) Follow the wiring diagram and any Code recommendations in making all electrical connections.

=WARNING=

When making electrical connections to the heater, be sure to follow the wiring diagram provided with the heater. The heater must not be operated without the safety high temperature limit cutout properly connected in the circuit.

- a.) All 3 phase heaters and all single phase heaters above 277 volts or 25 amps must have a magnetic contactor to disconnect the power if the temperature high limit opens. The contactor must be 250,000 cycles with a resistive rating per pole equal to or greater than the heater rated load current. The holding coil voltage rating of the contactor cannot exceed 277 volts.
- b.) Install an appropriately rated explosion-proof conduit sealing fitting in the 3/4" NPT connection hub in the bottom of the heater terminal box.
- c.) Remove the terminal box cover.
- d.) Pull the heater power connection wires labeled L1, L2 and if 3-phase L3 and the high temperature control wires labeled C1 and C2 out of the terminal box through the cover nipple.
- e.) Run the branch circuit supply wires and the contactor control wires, if any, through the conduit and conduit sealing fitting into the bottom of the terminal box and out through the cover nipple.
- f.) Select the appropriate wiring diagram that matches the installation and make the wiring connections using approved wiring connectors.
- g.) Push the wires back into the heater terminal box.
- h.) Install the terminal box cover, making sure it is screwed tightly in place.
- i.) Pour the explosion-proof seal in the sealing fitting.
- j.) Before application of electrical power, recheck all connections to ensure compliance with the wiring diagram and any code requirements. Remove

any foreign objects from the terminal enclosure.
Reinstall cover tightly.

- k.) See operating instructions, Section IV, before operating the heater.

8.) For heaters with optional built on thermostat or contactor follow the instructions provided with the control(s).

=WARNING=

When making electrical connections to the heater, be sure to follow the wiring diagram provided with the heater.

III. FIELD INSTALLED CONTROLS

=WARNING=

When making electrical connections to the heater, be sure to follow the wiring diagram provided with the heater. The heater must not be operated without the safety high temperature limit cutout properly connected in the circuit.

- 1.) All 3 phase heaters and all single phase heaters above 277 volts or 25 amps rated load current must have a safety contactor to disconnect the power if the temperature high limit opens. The contactor, such as a Products Unlimited 3100 series, must be UL/GSA approved for 250,000 cycles with a resistive rating per pole equal to or greater than the heater rated load current. The holding coil voltage rating of the contactor cannot exceed 277 volts.
- 2.) Any field installed controls cannot exceed the electrical ratings of the high temperature limit switch, which is rated for 125 VA at 277 VAC maximum.

IV. OPERATION

The QMARK Explosion-proof Convection Air Heater may be operated normally with ambient temperatures of 104°F (40°C) or less, and in atmospheres containing less than 21% oxygen by volume. The temperature classification of the heater must be less than the ignition temperature of the area hazard classification, and the hazardous group classification of the heater must match or exceed the area classification. All of these conditions must be met before attempting to operate the heater. The heater should never be operated in an oxygen-enriched atmosphere or with an ambient temperature above 104°F. At high ambient conditions the safety high temperature limit cutout may activate. If this occurs, the installation must include some means to de-energize the heater, such as an automatic temperature control thermostat or a manually operated disconnect switch, to prevent excessive cycling of the controls.

=WARNING=

NEVER operate the heater in an atmosphere with an ignition temperature lower than the heater marking.

=WARNING=

The heater must be mounted horizontally to maintain the ignition temperature rating.

1. Initial Operation. Check to make sure the mechanical and electrical installation is complete and that it is safe to operate the heater.

- a.) Air Supply. Airflow through the heater must not be blocked or obstructed in any manner. Make sure the area below the heater is clear, and that nothing is laying on top of or draped over the top of the heater cabinet.
- b.) Close the branch circuit or unit disconnect switch servicing the heater.
- c.) If a control thermostat is used turn the temperature set point above ambient temperature.

2.) High temperature limit switch. The high temperature limit switch is an automatic reset type. If it trips it will automatically reset once the temperature has dropped 20°F to 30°F below its trip point. The automatic reset high temperature limit control is also a fail safe device. If the sensing bulb is damaged or broken the automatic reset temperature limit control contacts will open and stay open, preventing heater operation until the control is replaced.

=WARNING=

The heater must not be operated without the safety high temperature limit cutout properly connected in the circuit.

=WARNING=

Replacement electrical components must be obtained from the factory to maintain the hazardous location rating.

3.) Normal Operation.

- a.) Inspect the heater installation for loose bolts, covers, signs of overheating or corrosion that could impair the ability of the heater to operate safely. Loose bolts should be tightened prior to operation.
- b.) Check the cabinet for restrictions, or blockages.
- c.) Place the heater in service.

V. MAINTENANCE

A. Electrical

=WARNING=

Potentially lethal voltages are present. Be sure to lock the branch circuit disconnect switch in the off position and tag the circuit "Out for Maintenance" before working on this equipment.

=WARNING=

Replacement of electrical components should only be done by authorized personnel familiar with the

requirements of maintaining electrical equipment in an explosion-hazard area.

=WARNING=

Replacement electrical components must be obtained from the factory to maintain the hazardous location rating.

- 1.) Annually inspect all wiring connections and visible insulation for damage, looseness, fraying, etc., as applicable. Tighten any loose wiring connections and replace or repair damaged or deteriorated insulation.
- 2.) If reduced heat output is suspected verify the condition of the heating elements by using an ammeter to check the current draw of each input line. All input lines should draw approximately equal current which should agree with calculated rated load current. If they do not, one or more of the heating elements could be burned out.
- 3.) High temperature limit switch. The high temperature limit switch is an automatic reset type. If it trips, it will automatically reset once the temperature has dropped 20°F to 30°F below its trip point. The automatic reset high temperature limit control is also a fail safe device. If the sensing bulb is damaged or broken the automatic reset temperature limit control contacts will open and stay open, preventing heater operation until the control is replaced.

=WARNING=

The heater must not be operated without the safety high temperature limit cutout properly connected in the circuit.

=WARNING=

Replacement electrical components must be obtained from the factory to maintain the hazardous location rating.

B. Mechanical

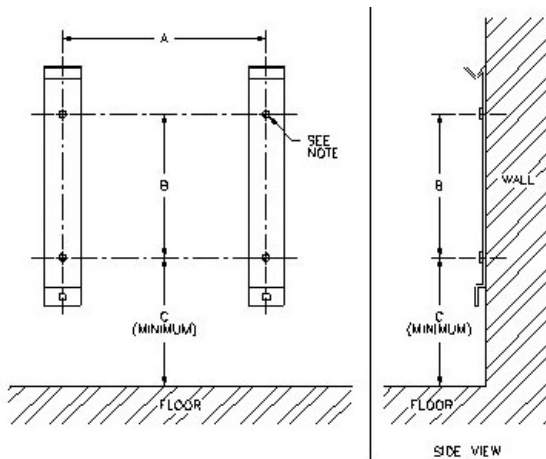
- 1.) Check the terminal enclosure, and conduit connections for evidence of water leaks or moisture collection. Tighten connections and check covers as required.
- 2.) The explosion-proof control box is designed with threaded joints and metal-to-metal contact at the cover joint to prevent an explosion. Do not attempt to install gasket material of any type at these joints.
- 3.) Annually check the tightness of all mounting bolts and nuts.
- 4.) Check the heating element fins for dirt build up or corrosion, and clean as required. Report signs of overheating or corrosion to the factory.

VI. REFERENCE DATA

- 1.) Wiring Diagrams. Please refer to the enclosed wiring diagrams in making all electrical connections to the heater and in performing any required maintenance.
- 2.) Data Plate Information. The data plate contains the catalog number and rating information. Please copy this information down and have it available when communicating with the factory.

Keep these instructions with the heater for future reference.

WALL MOUNTING BRACKETS



Cabinet Dimensions	A in (mm)	B in (mm)	C in (mm)	Approx. Weight lbs (kg)
26 x 4.44 x 6 660.40 x 112.78 x 152.40 mm	22 (558.8)	2 (203.2)	8.125 (206.38)	13.0 (5.90)
26 x 8.00 x 16 660.4 x 203.2 x 406.4 mm	14 (355.6)	9 (228.6)	9.5 (241.3)	27 (12.25)
39 x 8.00 x 16 990.60 x 203.20 x 406.40 mm	27 (685.8)	9 (228.6)	9.5 (241.3)	36 (16.33)
67.5 x 8.00 x 16 1714.50 x 203.20 x 406.40 mm	55.5 (1409.7)	9 (228.6)	9.5 (241.3)	60 (27.22)

Note: Mounting screws/bolts are not supplied with heater maximum dia is 3/8" (9.65mm)



470 Beauty Spot Road, East
Bennettsville, SC 29512



INSTRUCTIONS D'INSTALLATION, D'UTILISATION ET D'ENTRETIEN POUR LES RÉCHAUFFEURS D'AIR À CONVECTION ANTIDÉFLAGRANTS QMARK UTILISÉS DANS DES ENDROITS DANGEREUX

I. GÉNÉRAL

Les réchauffeurs d'air à convection antidéflagrants QMARK sont certifiés cCSAus Classe I, Division 1, Groupes B, C et D, et Classe II, Division 1, Groupes E, F et G ; Classe I, Zones 1 & 2, Groupe IIB+H2. Les réchauffeurs offrent également une construction résistante à la corrosion, adaptée à NEMA 3 et aux environnements corrosifs. Les valeurs nominales spécifiques du réchauffeur sont indiquées sur la plaque signalétique. Les appareils de chauffage sont destinés à un montage horizontal au mur ou au sol dans des applications industrielles uniquement. Les températures de surface du cabinet peuvent dépasser celles normalement attendues avec un équipement résidentiel, de sorte que l'appareil de chauffage ne doit jamais être installé dans un environnement résidentiel ou similaire, où des rideaux ou des tissus d'ameublement peuvent entrer en contact avec l'appareil de chauffage ou où un contact involontaire avec des individus peut se produire.

Le code d'allumage pour la température de fonctionnement maximale est inscrit sur la plaque signalétique. Ne faites JAMAIS fonctionner l'appareil dans une atmosphère dont la température de code d'allumage est inférieure à cette valeur. Les appareils sont conçus pour une circulation d'air par convection à une température ambiante maximale de 40°C, 104°F. Ne JAMAIS faire fonctionner l'appareil dans un montage vertical ou dans un endroit où la température ambiante peut dépasser 40°C (104°F).

Pour plus de détails sur les environnements dangereux particuliers présentant un potentiel d'explosion, consultez les articles 500 à 516 du Code national de l'électricité et/ou à la section 18 du Code canadien de l'électricité, partie I.

A. Les réchauffeurs d'air électriques à convection antidéflagrants QMARK sont destinés à être montés en permanence sur un mur à l'aide des supports de montage fournis avec le réchauffeur ou installés au sol avec les supports de montage au sol en option. Un contrôle de limite de température élevée est intégré au réchauffeur. Tous les appareils de chauffage connectés à une source de tension triphasée et tous les radiateurs monophasés au-dessus de 277 volts ou 25 ampères nécessiteront un contacteur de commande, actionné par le contrôle de limite, pour contrôler l'appareil de chauffage. Certaines commandes optionnelles telles qu'un thermostat et/ou un contacteur et un transformateur de tension de commande sont disponibles et lorsqu'elles sont fournies avec l'appareil de chauffage, elles se trouvent à l'intérieur de leurs propres enceintes nominales sur le côté droit de l'armoire ou sont fournies en tant qu'éléments distants. Lorsqu'ils sont montés sur l'armoire, les boîtiers sont connectés à la boîte à bornes du réchauffeur à l'aide d'un conduit métallique rigide et les commandes sont câblées en usine. Les commandes distantes, hors de la zone dangereuse, peuvent se trouver dans une enceinte standard, si la zone le permet. Toutes les connexions de câblage à l'appareil de chauffage doivent être

faites à l'aide d'un conduit métallique et un joint de conduit antidéflagrant doit être localisé juste à côté de l'appareil de chauffage. Tout le câblage doit être conforme à tous les codes nationaux et locaux pour les équipements dans les zones dangereuses.

Les réchauffeurs sont spécifiquement conçus pour chaque application et doivent être correctement installés, utilisés et entretenus pour une durée de vie optimale.

B. Le démontage de l'unité pour l'installation n'est ni requis, ni autorisé. Lors de l'installation :

1. Respectez toutes les valeurs nominales, les avertissements et les notes de la plaque signalétique du réchauffeur.
2. Suivez le schéma de câblage fourni avec l'appareil de chauffage pour effectuer toutes les connexions électriques.
3. Assurez-vous que toutes les connexions électriques sont bien serrées.
4. Gardez le boîtier de la borne de chauffage et les éléments chauffants propres.
5. Ne couvrez jamais l'appareil de chauffage lorsqu'il est en marche.
6. Lisez attentivement et respectez tous les avertissements et mises en garde.

II. INSTALLATION

A. Sélection du site.

- 1.) Les réchauffeurs d'air à convection antidéflagrants QMARK sont conçus pour être utilisés uniquement lorsqu'ils sont montés en permanence dans une orientation horizontale à un minimum de 6" au-dessus du sol.
- 2.) Le site doit laisser suffisamment d'espace libre autour de l'appareil de chauffage pour une installation et un accès pour l'entretien sûrs et faciles. L'espace de travail pour l'entretien de l'appareil de chauffage doit être d'au moins 3 pieds tout autour de l'avant de l'armoire de l'appareil de chauffage et de la boîte à bornes.
- 3.) Le flux d'air à travers l'appareil de chauffage ne doit pas être restreint ou bloqué de quelque manière que ce soit.
- 4.) Le site doit disposer de moyens adéquats pour supporter le poids de l'appareil de chauffage et fournir une protection physique à l'appareil de chauffage.

=ATTENTION=

QMARK recommande fortement que cet appareil de chauffage soit installé par du personnel qualifié connaissant les exigences du Code national de l'électricité et/ou du Code canadien de l'électricité pour les emplacements dangereux ainsi que tous les codes locaux. Il est de la responsabilité de l'installateur de vérifier la sécurité et l'adéquation de l'installation.

=ATTENTION=

L'appareil de chauffage doit être monté horizontalement.

=ATTENTION=

Le démontage de l'unité, pour l'installation, n'est ni requis, ni autorisé.

=ATTENTION=

Ne couvrez pas l'appareil de chauffage et n'obstruez pas la libre circulation de l'air entrant ou sortant de l'appareil de chauffage.

=ATTENTION=

N'installez pas l'appareil de chauffage dans un environnement résidentiel ou similaire où des rideaux ou des tissus d'ameublement peuvent entrer en contact avec l'appareil de chauffage ou où un contact involontaire avec le personnel peut se produire.

B. Installation mécanique. Une fois qu'un emplacement acceptable a été déterminé, suivez ces instructions pour compléter l'installation mécanique.

=ATTENTION=

Le démontage de l'unité pour l'installation n'est ni requis, ni autorisé.

- 1.) Appareil de chauffage mural.
 - a.) Consultez l'image 1.
 - b.) Marquez les emplacements des vis de montage pour les supports de montage mural sur la surface verticale.
 - c.) Pointez au centre et/ou percez les emplacements des vis de montage.
 - d.) À l'aide de quatre vis (non fournies avec l'appareil), fixez les supports de fixation murale à la surface verticale.
 - e.) Soulevez l'appareil de chauffage vers le haut puis vers le bas sur les supports de montage de sorte que le rebord en « V » en haut des supports s'engage dans les fentes à l'arrière de l'armoire de l'appareil de chauffage.
 - f.) Assurez-vous que l'appareil de chauffage repose dans le bas du rebord en « V » de sorte que les trous de montage au bas du support de montage mural s'alignent avec les trous de montage dans l'armoire du radiateur.
 - g.) Fixez l'appareil de chauffage aux supports de fixation murale à l'aide des 2 vis, rondelles et écrous fournis.

C. Installation électrique. Suivez ces instructions pour compléter l'installation électrique :

=ATTENTION=

Des tensions potentiellement mortelles sont présentes. Assurez-vous de verrouiller le sectionneur du circuit de dérivation en position d'arrêt et d'étiqueter le circuit « Fermé pour entretien » avant de travailler sur cet équipement.

- 1.) Suivez le schéma de câblage et toutes les recommandations du Code pour effectuer toutes les connexions électriques.
- 2.) Utilisez uniquement un moyen de câblage antidéflagrant approuvé, tel que des conducteurs en cuivre isolés dans un conduit métallique rigide avec des connexions fileté conformes à la NEC ou le CEC pour effectuer les connexions électriques à l'appareil de chauffage.

- 3.) Déterminez la tension, la phase et la puissance nominale de l'appareil de chauffage à partir de la plaque signalétique de l'appareil de chauffage.
- 4.) La tension et la phase du circuit de dérivation doivent correspondre à la tension et à la phase nominale du réchauffeur.
- 5.) Calculez le courant de charge nominal de l'élément chauffant comme suit :

Unités monophasées = $\frac{\text{Kilowatts} \times 1000}{\text{Tension}}$ = Courant de charge nominal

Unités triphasées = $\frac{\text{Kilowatts} \times 1000}{\text{Tension} \times 1,73}$ = Courant de charge nominal

- 6.) Utilisez des fils d'alimentation de circuit de dérivation conçus pour 75 °C et le courant de charge nominal pour connecter le réchauffeur.
- 7.) Pour les appareils de chauffage sans thermostat ou contacteur intégré en option :

=ATTENTION=

Lors des connexions électriques à l'appareil, assurez-vous de suivre le schéma de câblage fourni avec l'appareil de chauffage. L'appareil de chauffage ne doit pas être utilisé sans que le limiteur de température de sécurité soit correctement connecté au circuit.

- a.) Tous les appareils triphasés et tous les appareils monophasés au-dessus de 277 volts ou 25 ampères doivent avoir un contacteur magnétique pour couper l'alimentation si la limite supérieure de température s'ouvre. Le contacteur doit être de 250 000 cycles avec une valeur résistive par pôle égale ou supérieure au courant de charge nominal de l'élément chauffant. La tension nominale de la bobine de maintien du contacteur ne peut pas dépasser 277 volts.
- b.) Installez un raccord d'étanchéité de conduit antidéflagrant de classe appropriée dans le moyeu de connexion NPT de 3/4 po au bas de la boîte à bornes du réchauffeur.
- c.) Retirez le couvercle de la boîte à bornes.
- d.) Tirez les fils de connexion de l'alimentation du chauffage marqués L1, L2 et si triphasé L3 et les fils de contrôle de la haute température marqués C1 et C2 hors de la boîte à bornes à travers le raccord fileté du couvercle.
- e.) Faites passer les fils d'alimentation du circuit de dérivation et les fils de commande du contacteur, le cas échéant, à travers le conduit et le raccord d'étanchéité du conduit dans le bas de la boîte à bornes et à travers le raccord fileté du couvercle.
- f.) Sélectionnez le schéma de câblage approprié qui correspond à l'installation et effectuez les connexions de câblage à l'aide de connecteurs de câblage approuvés.
- g.) Poussez les fils dans la boîte à bornes du réchauffeur.
- h.) Installez le couvercle de la boîte à bornes en vous assurant qu'il est bien vissé.
- i.) Coulez le joint antidéflagrant dans le raccord d'étanchéité.
- j.) Avant d'activer l'alimentation électrique, vérifiez toutes les connexions pour en assurer la conformité avec le

schéma de câblage et toutes les exigences du code.

Retirez tout objet étranger de l'enceinte du terminal.

Réinstallez le couvercle fermement.

- k.) Consultez la notice d'utilisation, section IV, avant de faire fonctionner l'appareil de chauffage.

8.) Pour les appareils de chauffage avec thermostat ou contacteur intégré en option, suivez les instructions fournies avec la ou les commandes.

=ATTENTION=

Lors des connexions électriques à l'appareil de chauffage, assurez-vous de suivre le schéma de câblage fourni avec l'appareil de chauffage.

III. COMMANDES INSTALLÉES SUR LE SITE

=ATTENTION=

Lors des connexions électriques à l'appareil de chauffage, assurez-vous de suivre le schéma de câblage fourni avec l'appareil de chauffage. L'appareil de chauffage ne doit pas être utilisé sans que le limiteur de température de sécurité soit correctement connecté au circuit.

- 1.) Tous les réchauffeurs triphasés et tous les réchauffeurs monophasés au-dessus de 277 volts ou 25 ampères de courant de charge nominal doivent avoir un contacteur de sécurité pour déconnecter l'alimentation si la limite supérieure de température s'ouvre. Le contacteur, tel qu'un de série Products Unlimited 3100, doit être approuvé UL/CSA pour 250 000 cycles avec une valeur résistive par pôle égale ou supérieure au courant de charge nominal de l'élément chauffant. La tension nominale de la bobine de maintien du contacteur ne peut pas dépasser 277 volts.
- 2.) Les commandes installées sur le site ne peuvent pas dépasser les valeurs électriques de l'interrupteur de limite de haute température, qui est conçu pour 125 VA à 277 VCA maximum.

IV. FONCTIONNEMENT

Le réchauffeur d'air à convection antidéflagrant QMARK peut fonctionner normalement à des températures ambiantes de 104 °F (40 °C) ou moins, et dans des atmosphères contenant moins de 21 % d'oxygène en volume. La classification de température de l'appareil de chauffage doit être inférieure à la température d'inflammation de la classification de danger de zone, et la classification de groupe dangereux de l'appareil de chauffage doit correspondre ou dépasser la classification de zone. Toutes ces conditions doivent être remplies avant d'essayer de faire fonctionner l'appareil de chauffage. L'appareil de chauffage ne doit jamais être utilisé dans une atmosphère enrichie en oxygène ou avec une température ambiante supérieure à 104°F. Dans des conditions ambiantes élevées, le limiteur de température de sécurité peut s'activer. Si cela se produit, l'installation doit inclure des moyens pour mettre l'appareil de chauffage hors tension, comme un thermostat de contrôle automatique de la température ou un interrupteur de déconnexion à commande manuelle, afin d'éviter tout cycle excessif des commandes.

=ATTENTION=

NE JAMAIS faire fonctionner l'appareil de chauffage dans une atmosphère dont la température d'allumage est inférieure à la valeur de l'appareil de chauffage.

=ATTENTION=

L'appareil de chauffage doit être monté horizontalement pour maintenir la température d'allumage nominale.

1. Fonctionnement initial. Assurez-vous que l'installation mécanique et électrique est complète et que l'appareil de chauffage peut être utilisé en toute sécurité.

- a.) Entrée d'air. Le flux d'air à travers l'appareil de chauffage ne doit pas être bloqué ou obstrué de quelque manière que ce soit. Assurez-vous que la zone sous l'appareil de chauffage est dégagée et que rien ne repose sur ou n'est drapé sur le dessus de l'armoire de l'appareil de chauffage.
- b.) Fermez le circuit de dérivation ou l'interrupteur de déconnexion de l'unité desservant le réchauffeur.
- c.) Si un thermostat de contrôle est utilisé, placez le point de consigne de température au-dessus de la température ambiante.

2.) Interrupteur de limite de haute température. L'interrupteur de limite de température élevée est de type à réinitialisation automatique. S'il se déclenche, il se réinitialise automatiquement une fois que la température a chuté de 20 °F à 30 °F en dessous de son point de déclenchement. Le contrôle de limite de température élevée à réinitialisation automatique est également un dispositif de sécurité. Si l'ampoule de détection est endommagée ou cassée, les contacts de contrôle de limite de température à réinitialisation automatique s'ouvriront et resteront ouverts, empêchant le fonctionnement du réchauffeur jusqu'à ce que le contrôle soit remplacé.

=ATTENTION=

L'appareil de chauffage ne doit pas être utilisé sans que le limiteur de température de sécurité soit correctement connecté au circuit.

=ATTENTION=

Les composants électriques de remplacement doivent être obtenus auprès de l'usine pour maintenir le classement de zone dangereuse.

3.) Fonctionnement normal.

- a.) Inspectez l'installation de l'appareil de chauffage afin de déceler tout boulon ou couvercle desserré, ou signe de surchauffe ou de corrosion qui pourraient nuire à la capacité de l'appareil de chauffage de fonctionner en toute sécurité. Les boulons desserrés doivent être resserrés avant l'utilisation.
- b.) Vérifiez l'armoire pour déceler toute restriction ou blocage.
- c.) Mettez l'appareil de chauffage en service.

V. ENTRETIEN

A. Électrique

=ATTENTION=

Des tensions potentiellement mortelles sont présentes. Assurez-vous de verrouiller le sectionneur du circuit de dérivation en position d'arrêt et d'étiqueter le circuit « Fermé pour entretien » avant de travailler sur cet équipement.

=ATTENTION=

Le remplacement des composants électriques ne doit être effectué que par du personnel autorisé connaissant les exigences d'entretien des équipements électriques dans une zone à risque d'explosion.

=ATTENTION=

Les composants électriques de remplacement doivent être obtenus auprès de l'usine pour maintenir le classement de zone dangereuse.

L'appareil de chauffage ne doit pas être utilisé sans que le limiteur de température de sécurité soit correctement connecté au circuit.

=ATTENTION=

Les composants électriques de remplacement doivent être obtenus auprès de l'usine pour maintenir le classement de zone dangereuse.

B. Mécanique

- 1.) Vérifiez l'enceinte du terminal et les connexions des conduits pour détecter des fuites d'eau ou une accumulation d'humidité. Serrez les connexions et vérifiez les couvercles au besoin.
- 2.) Le boîtier de commande antidéflagrant est conçu avec des joints filetés et un contact métal sur métal au niveau du joint du couvercle pour éviter une explosion. N'essayez pas d'installer des joints d'étanchéité de quelque type que ce soit sur ces joints.
- 3.) Vérifiez annuellement le serrage de tous les boulons et écrous de montage.
- 4.) Vérifiez que les ailettes de l'élément chauffant ne sont pas encrassées ou corrodées et nettoyez-les si nécessaire. Signalez les signes de surchauffe ou de corrosion à l'usine.

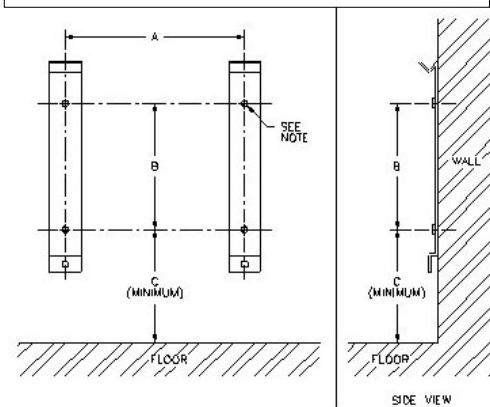
VI. DONNÉES DE RÉFÉRENCE

- 1.) Schémas de câblage. Veuillez consulter les schémas de câblage ci-joints pour effectuer toutes les connexions électriques à l'appareil de chauffage et pour effectuer tout entretien requis.
- 2.) Informations sur la plaque signalétique. La plaque signalétique contient le numéro de catalogue et les informations relatives au courant. Veuillez copier ces informations et les avoir à portée de main lorsque vous communiquez avec l'usine.

Conservez ces instructions avec le réchauffeur pour référence future.

=ATTENTION=

SUPPORTS DE MONTAGE MURAL



Dimensions de l'armoire	A en (mm)	B en (mm)	C en (mm)	Poids approx. livres (kg)
26 x 4,44 x 6 660,40 x 112,78 x 152,40 mm	22 (558.8)	2 (203.2)	8.125 (206.38)	13.0 (5.90)
26x8.00x16 660,4 x 203,2 x 406,4 mm	14 (355.6)	9 (228.6)	9.5 (241.3)	27 (12h25)
39x8.00x16 990,60 x 203,20 x 406,40 mm	27 (685,8)	9 (228.6)	9.5 (241.3)	36 (16.33)
67,5 x 8,00 x 16 1714,50 x 203,20 x 406,40 mm	55,5 (1409.7)	9 (228.6)	9.5 (241.3)	60 (27.22)

Remarque : les vis/boulons de montage ne sont pas fournis; le diamètre maximum du réchauffeur est de 3/8" (9,65 mm)



470, Beauty Spot Road. East
Bennettsville, SC 29512