

THERMAZONE® SERIES

Industrial/Commercial/Residential
Infrared Heater

RADIANT HEATERS



Technical Specifications:

Element Types: Flat Panel Emitter

Reflection Angles: 60°

Mounting Types: Brackets included for ceiling mount and wall mount. Can also be hung by chain or threaded rod.

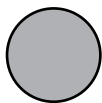
Ideal Spaces:

Warehouses
Factories
Manufacturing Plants
Storage Facilities
Workshops & Garages
Autobody & Repair Shops
Fitness Studios & Hot Yoga
Restaurants & Patios
Docks
Walkways / Entryways

- › NO MOVING PARTS — Nothing to break or wear out means the Thermazone is maintenance free.
- › NO ORANGE GLOW — Never worry about the eyesore of a glowing heater again. Every Thermazone has a clean, black face which does not give off any light, meaning it neatly blends into the background.
- › USING LOWER WAVELENGTHS — to radiate heat, Thermazone heaters generate long wavelength heat, which are the most consistent, even, and energy efficient in the industry.
- › NO REFLECTORS TO CLEAN — No bulbs means no need for reflectors. Another reason Thermazone heaters require zero maintenance.
- › NO BULBS — Save yourself money and frustration by never having to replace a bulb.
- › MOUNTING — Wall and ceiling mounting bracket is included with each heater.



Black



Stainless Steel



ThermaZone® SERIES

Industrial/Commercial/Residential Infrared Heater

Models & Specifications – ThermaZone:

ITEM INFORMATION		ELECTRICAL DATA				
CATALOG NO.	MODEL	WATTS	PHASE	VOLTS	AMPS	
● BR-STS-U12-0871B	1X	871	1	120	7.3	
● BR-STS-U12-1081B	1X	1081	1	120	9.0	
● BR-STS-U12-1111B	1X	1111	1	120	9.3	
● BR-STS-U12-1681B	1X	1681	1	120	14.0	
● BR-STS-U12-1436V	1X	1077/1436	1	208	5.2	
				240	6.0	
● BR-STS-U24-1015V	2X	762/1015	1	208	3.7	
				240	4.2	
● BR-STS-U24-1316B	2X	1316	1	120	11.0	
● BR-STS-U24-1297V	2X	974/1297	1	208	4.7	
				240	5.4	
● BR-STS-U24-1659B	2X	1659	1	120	13.8	
● BR-STS-U24-1701V	2X	1276/1701	1	208	6.1	
				240	7.1	
● BR-STS-U24-2192B	2X	2192	1	120	18.3	
● BR-STS-U24-2001V	2X	1501/2001	1	208	7.2	
				240	8.3	
● BR-STS-U24-1982N	2X	1982	1	277	7.2	
● BR-STS-U24-2060I	2X	2060	1	347	6.0	
● BR-STS-U24-2222B	2X	2222	1	120	18.5	
● BR-STS-U24-2428V	2X	1821/2428	1	208	8.8	
				240	10.1	
● BR-STS-U24-2388N	2X	2388	1	277	8.6	
● BR-STS-U24-2488I	2X	2488	1	347	7.2	
● BR-STS-U24-3363B	2X	3363	1	120	28.0	
● BR-STS-U24-3239V	2X	2429/3239	1	208	11.7	
				240	13.5	
● BR-STS-U24-3008N	2X	3008	1	277	10.9	
● BR-STS-U24-3176I	2X	3176	1	347	9.2	
● BR-STS-U24-1992P	2X	1496/1992	3	208	4.2	
				240	4.8	
● BR-STS-U24-2442P	2X	1834/2442	3	208	5.1	
				240	5.9	
● BR-STS-U24-3021P	2X	2284/3041	3	208	6.4	
				240	5.9	
● BR-STS-U48-2030V	4X	1523/2030	1	208	7.3	
				240	8.5	
● BR-STS-U48-2014I	4X	2014	1	347	5.8	
● BR-STS-U48-2030T	4X	2030	1	480	4.2	
● BR-STS-U48-2594V	4X	1946/2594	1	208	9.4	
				240	10.8	
● BR-STS-U48-2502I	4X	2502	1	347	7.2	
● BR-STS-U48-2594T	4X	2594	1	480	5.4	
● BR-STS-U48-3402V	4X	2552/3402	1	208	12.3	
				240	14.2	
● BR-STS-U48-3206I	4X	3206	1	347	9.2	
● BR-STS-U48-3402T	4X	3402	1	480	7.1	
● BR-STS-U48-4002V	4X	3002/4002	1	208	14.5	
				240	16.7	
● BR-STS-U48-3964N	4X	3964	1	277	14.3	
● BR-STS-U48-4120I	4X	4120	1	347	11.9	
● BR-STS-U48-4002T	4X	4002	1	480	8.3	
● BR-STS-U48-4042Y	4X	4042	1	600V	6.7	

SKU Legend: ● = Popular Products ● = Extended Offering (Contact your local Marley Sales Representative for typically associated lead times)

ThermaZone® SERIES

Industrial/Commercial/Residential Infrared Heater

Models & Specifications – ThermaZone (continued):

ITEM INFORMATION		ELECTRICAL DATA				
CATALOG NO.	MODEL	WATTS	PHASE	VOLTS	AMPS	
● BR-ST5-U48-4856V	4X	3642/4856	1	17.5	17.5	
				240V	20.2	
● BR-ST5-U48-4776N	4X	4776	1	277V	17.2	
● BR-ST5-U48-4976I	4X	4976	1	347	14.4	
● BR-ST5-U48-4856T	4X	4856	1	480	10.1	
● BR-ST5-U48-4878Y	4X	4878	1	600	8.1	
● BR-ST5-U48-6478V	4X	4859/6478	1	208	23.4	
				240	27.0	
● BR-ST5-U48-6056N	4X	6056	1	277	21.7	
● BR-ST5-U48-6352I	4X	6352	1	347	18.3	
● BR-ST5-U48-6478T	4X	6478	1	480	13.5	
● BR-ST5-U48-6118Y	4X	6118	1	600	10.2	
● BR-ST5-U48-3971P	4X	2983/3971	3	208	8.3	
				240	9.6	
● BR-ST5-U48-3928U	4X	3928	3	480	4.7	
● BR-ST5-U48-3963Z	4X	3963	3	600	3.8	
● BR-ST5-U48-4794P	4X	3601/4794	3	208	10.0	
				240	11.5	
● BR-ST5-U48-4838U	4X	4838	3	480	5.8	
● BR-ST5-U48-4797Z	4X	4797	3	600	4.6	
● BR-ST5-U48-5954P	4X	4472/5954	3	208	12.4	
				240	14.3	
● BR-ST5-U48-6060U	4X	6060	3	480	7.3	
● BR-ST5-U48-5982Z	4X	5982	3	600	5.8	

SKU Legend: ● = Popular Products ● = Extended Offering (Contact your local Marley Sales Representative for typically associated lead times)

Models & Specifications – ThermaZone Thin:

ITEM INFORMATION		ELECTRICAL DATA				
CATALOG NO.	MODEL	WATTS	PHASE	VOLTS	AMPS	
● BR-STT-U18-1091B	18"	1091	1	120	9.1	
● BR-STT-U18-1330B	18"	1330	1	120	11.1	
● BR-STT-U18-1767B	18"	1767	1	120	14.8	
● BR-STT-U18-2161B	18"	2161	1	120	18.0	
● BR-STT-U36-2180V	36"	2180/1635	1	208	6.8	
				240	9.1	
● BR-STT-U36-2660V	36"	2660/1998	1	208	7.9	
				240	11.1	
● BR-STT-U36-3104V	36"	3104/2331	1	208	11.2	
				240	12.9	
● BR-STT-U36-3534V	36"	3534/2665	1	208	12.8	
				240	14.8	
● BR-STT-U36-4322V	36"	4322/3246	1	208	15.6	
				240	18.0	

SKU Legend: ● = Popular Products ● = Extended Offering (Contact your local Marley Sales Representative for typically associated lead times)

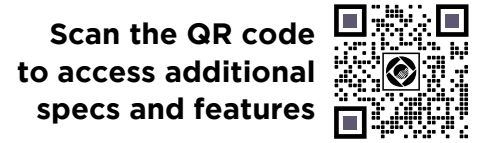
Optional Accessories – ThermaZone:

CATALOG NO.	DESCRIPTION	COMPATIBLE WITH
03-104	12" x 24" SS Grid	All 12" x 24" Heaters All 1P 12" x 48" Heaters*
03-105	12" x 12" SS Grid	All 12" x 12" Heaters
03-106	12" x 16" SS Grid	All 3P 12" x 48" Heaters**

* Requires quantity of 2. ** Requires quantity of 3.

THERMAZONE® SERIES

Industrial/Commercial/Residential Infrared Heater



Optional Local Controls:

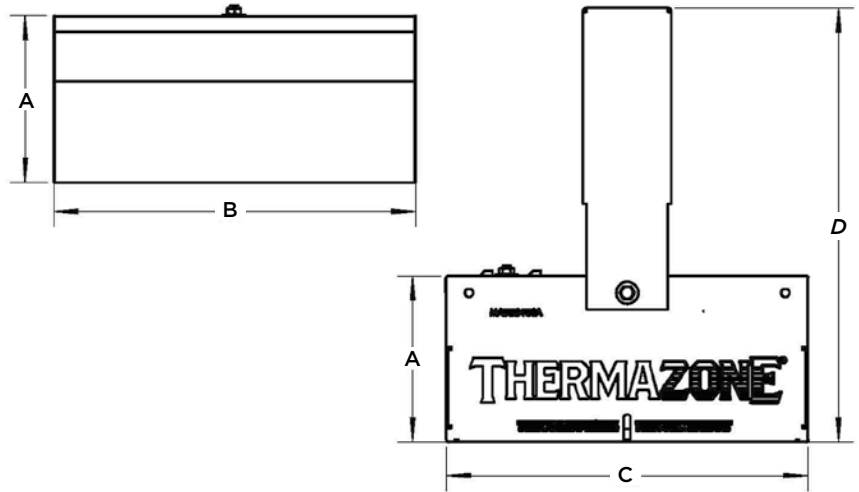
CATALOG NO.	DESCRIPTION	SUPPLY VOLTAGE	PHASE	AMP RATING	SUITABLE WITH		
					CONTACTOR PANEL	STAND ALONE	SSR PANEL
TZ-REM-PT	Fixed Cycle Controller w/ Adjustable Output	120/24	1	NA	—	—	Yes
TZ-PCT	Adjustable Cycle Controller w/ Adjustable Output	120/240	1	28	Yes	Yes	Yes
TZ-TIMER	0-60 Min Heavy Duty In-Wall On/Off Timer	120/240	1	28	Yes	Yes	Yes
TZ-TIMER2HR	0-120 Min Heavy Duty In-Wall On/Off Timer	120/240	1	20	Yes	Yes	Yes
TZ-HUB	App Based Z-Wave Wireless Connection Hub	120	1	NA	Yes	Yes	Yes
TZ-SWITCH	App Based Z-Wave Wireless Junction Box	120/240	1	40	Yes	Yes	Yes

Optional controls suitable for isolated control of your heater(s), or to be paired with QMark's line of control panels to operate banks of heaters together. Options range from adjustable output cycle timers with fixed and adjustable cycle times, to standard on/off timer control, and introducing market leading Z-Wave app based control for easy operation from your phone.

Dimensions — ThermaZone:

Model	A	B	C	D*
1X	5 ½"	12"	12"	14 ½"
2X	5 ½"	24"	12"	14 ½"
4X	5 ½"	48"	12"	14 ½"

*If using attached bracket



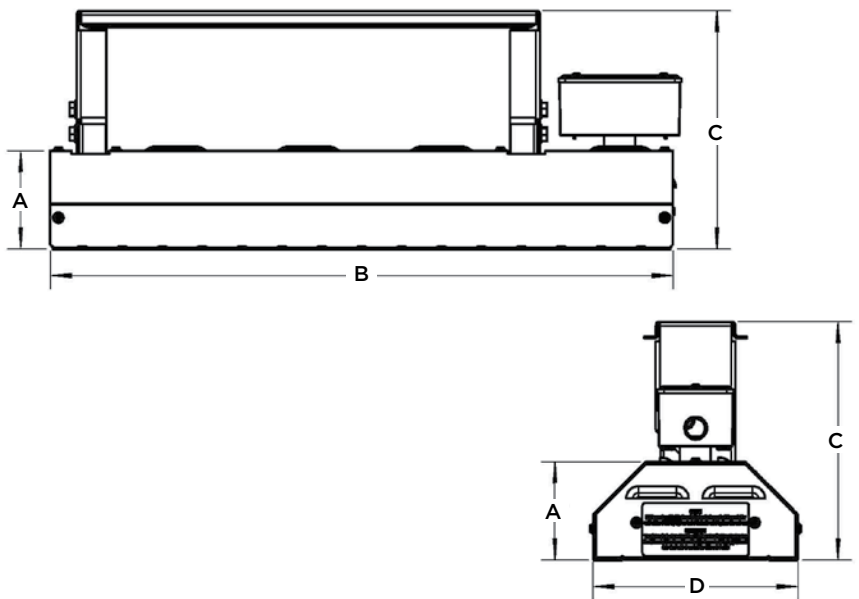
Clearances — ThermaZone:

	Between Heaters	To Side Walls	To Ceiling
Wall Mounted	36"	4"	4"
Ceiling Mounted Vertical	36"	36"	4"
Ceiling Mounted Angled Away	36"	4"	4"
Ceiling Mounted Angled Toward	36"	72"	4"

Dimensions — ThermaZone Thin:

Model	A	B	C*	D
18"	3 ¾"	24"	9"	8"
36"	3 ¾"	42"	9"	8"

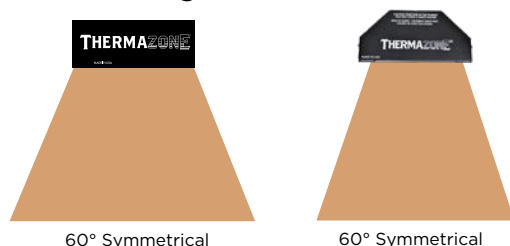
*If using attached bracket



Clearances — ThermaZone Thin:

	Between Heaters	To Side Walls	To Ceiling
Wall Mounted	36"	7"	7"
Ceiling Mounted Vertical	36"	36"	4"
Ceiling Mounted Angled Away	36"	7"	7"
Ceiling Mounted Angled Toward	36"	72"	4"

Reflection Angle:



60° Symmetrical

60° Symmetrical