

UNIT HEAT Remote Thermostat Bracket

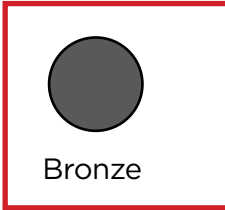
Compatible with MUH & HUHAA Unit Heaters

THERMOSTATS & CONTROLS

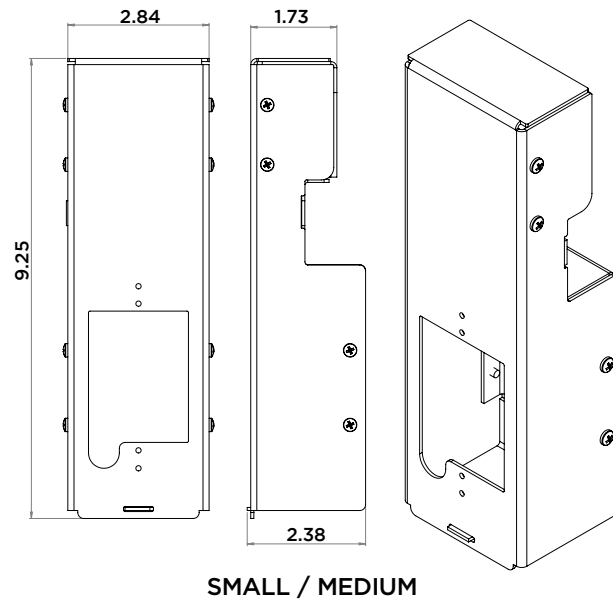
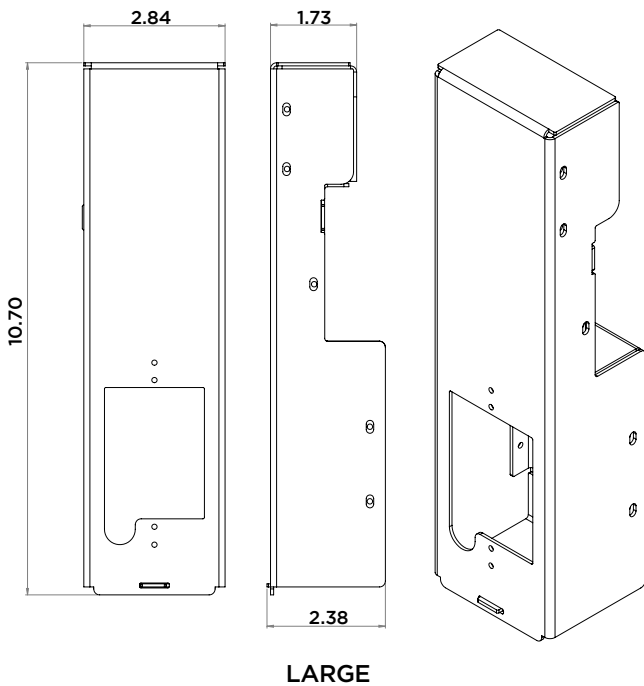


- > Bracket to allow for remote thermostats to be mounted in the unit
- > Same function and application coverage uses existing UHMT1/T2 knockout hole
- > Compatible with Low voltage or Line Voltage—dependent upon the heater
- > (2) Sizes
 - UH 3-20kw: MUHBKT-TST-SM
 - UH 25-50kw: MUHBKT-TST-L
- > Kit Includes: Bracket, Wires, Fasteners, Manual

| PART NUMBER | DESCRIPTION | LIST PRICE |
|---------------|------------------------|------------|
| MUHBKT-TST-SM | Small/Medium UH 3-20kw | \$326 |
| MUHBKT-TST-L | Large UH 25-50kw | \$353 |



Dimensions and Clearances:



Suggested Controls



M601W
Reference thermostat compatibility chart in the Qmark/Berko catalog