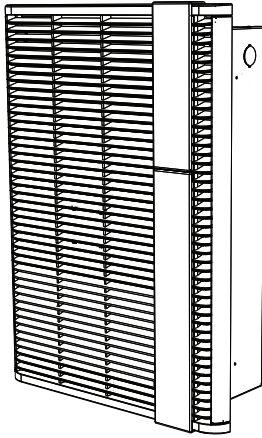




470 Beauty Spot Rd. E, Bennettsville, SC 29512



**SUBMITTAL SHEET  
SMART SERIES  
DIGITAL PROGRAMMABLE  
FAN-FORCED  
WALL HEATERS  
HT SERIES**

CAPACITIES
200 - 2000 Watts 120V and 240V @ 1Ø

Thermostat Range: 40 - 99 Degrees F Max Air Movement: 45 CFM
---

HT SERIES - DIGITAL PROGRAMMABLE FAN-FORCED WALL HEATERS

JOB NAME: \_\_\_\_\_  
 LOCATION: \_\_\_\_\_  
 ARCHITECT: \_\_\_\_\_  
 ENGINEER: \_\_\_\_\_  
 CONTRACTOR: \_\_\_\_\_  
 SUBMITTED BY: \_\_\_\_\_  
 DATE: \_\_\_\_\_

ITEM	QTY.	CATALOG NUMBER	TAG	WATTS	VOLTS	AMPS

**ACCESSORIES  
AND  
CONTROLS**

ITEM	QTY.	CAT. NO.	TAG	DESCRIPTION

SUBMITTED BY:	DATE	APPROVED BY:	DATE

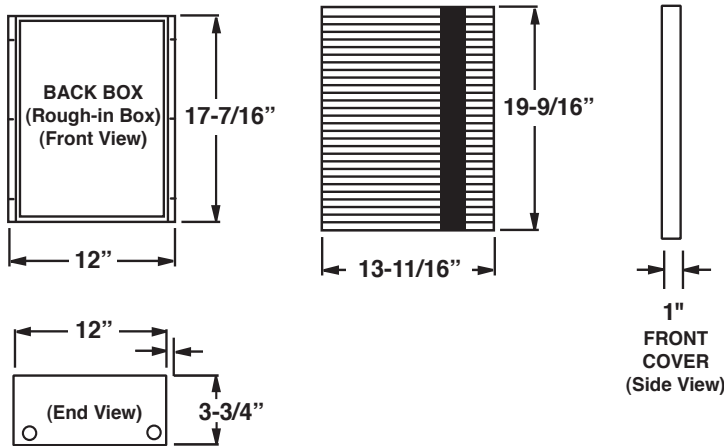
**SELECTION CHART**

CATALOG NUMBER	VOLTS	WATTS	AMPS	BTUHR
HT2024SS	240	250 - 2000	1.0 - 8.3	853 - 6826
HT1502SS	120	200 - 1500	1.6 - 12.5	682 - 5120

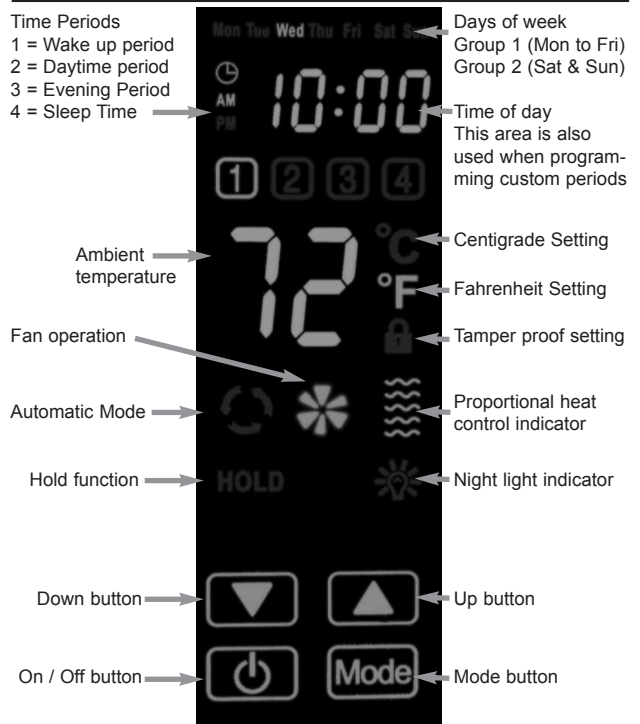
Note: Standard grille color is gray. Add NW suffix for Northern White.

SURFACE MOUNTING FRAMES	
SMHTSSNW	Northern White Surface Mounting frame 14-5/8"W X 20-1/4"H X 3-3/4"D
SMHTSSBL	Black Surface Mounting frame 14-5/8"W X 20-1/4"H X 3-3/4"D

**DIMENSIONS**



**THERMOSTAT DISPLAY**



**MOUNTING LIMITATIONS**

Do not install heater closer than 12 inches to the floor, 12 inches to an adjacent wall, 36 inches to the ceiling. Do not install heater behind towel rack or door, up

**FEATURES**

- ▶ Heater automatically adjusts wattage output and blower speed resulting in whisper quiet operation for optimum comfort.
- ▶ Heating element is heavy duty non-glowing steel fins brazed to steel sheathed tubular elements in a grid pattern that covers the entire discharge area.
- ▶ Built-in fan delay operates when unit is turned off after heating to prolong element life.
- ▶ 5/2 day electronic programmable built-in thermostat allows for multiple programming options while providing energy savings and precise temperature performance.
- ▶ Easy to use LED touch screen operation.
- ▶ Remote control included.
- ▶ Contemporary, clean design with night light feature complements any decor.
- ▶ Designed for easy installation. Heater is mounted prior to wiring. Both hands are free to make field connections in large compartment.
- ▶ This heater is designed for installation in 2 x 4 or larger wall sections using the wall box provided.
- ▶ The heater may be wired with standard building wire (60°C). Refer to selection chart for correct supply voltage.