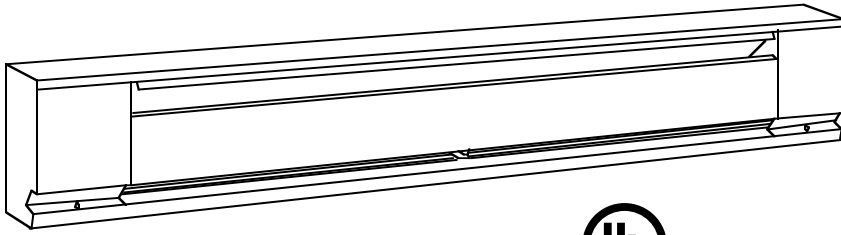


SUBMITTAL SHEET
BKOC SERIES
**COMMERCIAL
BASEBOARD HEATER**



| CAPACITIES |
|---|
| 282 TO 2500 W 2'6", 3', 4', 5', 6' or 8' lengths |

See Selection Chart for all Options

BKOC - COMMERCIAL BASEBOARD HEATER

JOB NAME: _____

LOCATION: _____

ARCHITECT: _____

ENGINEER: _____

CONTRACTOR: _____

SUBMITTED BY: _____ DATE: _____

| TAG/ITEM | QTY. | CATALOG NUMBER | HEATER | | | AMPS | LENGTH | WEIGHT |
|----------|------|----------------|--------|-------|---|------|--------|--------|
| | | | KW | VOLTS | Ø | | | |
| | | | | | | | | |
| | | | | | | | | |
| | | | | | | | | |
| | | | | | | | | |
| | | | | | | | | |
| | | | | | | | | |
| | | | | | | | | |
| | | | | | | | | |
| | | | | | | | | |

| ACCESSORIES AND CONTROLS | TAG/ITEM | QTY. | CATALOG NUMBER | DESCRIPTION |
|--------------------------------|----------|------|----------------|-------------|
| | | | | |
| | | | | |
| | | | | |

| SUBMITTED BY: | DATE |
|---------------|------|
| | |
| | |
| | |
| | |

| APPROVED BY: | DATE |
|--------------|------|
| | |
| | |
| | |
| | |

BKOC SERIES ARCHITECT'S AND ENGINEER'S SPECIFICATIONS*

Furnish and install where indicated on plans, electric baseboard heaters, suitable for continuous operation as manufactured by Berko,® A Marley Engineered Products® Brand, Bennettsville, SC. Heaters shall be cULus listed.

ENCLOSURE: The heaters shall be fabricated of minimum .024 inch steel with minimum .040 inch steel control boxes. Support brackets shall be .035 inch steel. Junction box enclosure to have provisions for incoming and outgoing cable with cable clamp for restraining without additional hardware. Ground wire pigtail provided in each junction box for grounding.

FRONT COVER: The front cover shall be fabricated of minimum .048 inch steel.

HEATING ELEMENT: The heating element wire shall consist of 80% nickel, 20% chromium, and shall be encased in steel sheath to ensure long and trouble free life. Aluminum fins shall be so designed as to block sheath radiation to front and back of heater body and pressure bonded to steel sheath.

INSTALLATION: Heaters shall be designed to permit use of supply conductors with 60°C insulation.

GENERAL: Beige durable textured polyester powder coat finish for corrosion resistance. Linear thermal cut-out shall be factory installed to automatically shut off heater in event of overheating and reactivate heater when temperatures return to normal. The complete heater shall have a height of 6 ¾ inches and a depth of 2 ⅞ inches. Heaters shall have cULus approval for mounting on any floor surface including carpeting

**Berko reserves the right to change specifications without prior notice.*

Models & Specifications:

| ITEM INFORMATION | | ELECTRICAL DATA | | | DIMENSIONAL DATA | |
|------------------|--------------|-----------------|----------------|-------------|------------------|----------|
| CATALOG NO. | UPC | VOLTS | WATTS | AMPS | LENGTH | SHIP WT. |
| BKOC25126W | 685360010090 | 120 | 500 | 4.2 | 30" | 7.8 lbs |
| BKOC25026W | 685360009858 | 208 | 500 | 2.4 | | |
| BKOC25426W | 685360010366 | 240/208 | 500/376 | 2.1/1.8 | | |
| BKOC25726W | 685360010670 | 277/240/208 | 500/376/282 | 1.8/1.6/1.4 | | |
| BKOC2513W | 685360010137 | 120 | 750 | 6.5 | 36" | 9.0 lbs |
| BKOC2503W | 685360009896 | 208 | 750 | 3.6 | | |
| BKOC2543W | 685360010403 | 240/208 | 750/564 | 3.1/2.7 | | |
| BKOC2573W | 685360010717 | 277/240/208 | 750/564/423 | 2.7/2.4/2.0 | | |
| BKOC2514W | 685360010175 | 120 | 1000 | 8.3 | 48" | 11.5 lbs |
| BKOC2504W | 685360009933 | 208 | 1000 | 4.8 | | |
| BKOC2544W | 685360010441 | 240/208 | 1000/752 | 4.2/3.6 | | |
| BKOC2574W | 685360010755 | 277/240/208 | 1000/752/564 | 3.6/3.1/2.7 | | |
| BKOC2515W | 685360010212 | 120 | 1250 | 10.4 | 60" | 13.0 lbs |
| BKOC2505W | 685360009971 | 208 | 1250 | 6.0 | | |
| BKOC2545W | 685360010489 | 240/208 | 1250/940 | 5.2/4.5 | | |
| BKOC2575W | 685360010793 | 277/240/208 | 1250/940/705 | 4.5/3.9/3.4 | | |
| BKOC2516W | 685360010250 | 120 | 1500 | 12.6 | 72" | 15.5 lbs |
| BKOC2506W | 685360010014 | 208 | 1500 | 7.2 | | |
| BKOC2546W | 685360010526 | 240/208 | 1500/1128 | 6.3/5.4 | | |
| BKOC2576W | 685360010830 | 277/240/208 | 1500/1128/846 | 5.4/4.7/4.1 | | |
| BKOC2508W | 685360010052 | 208 | 2000 | 9.6 | 96" | 20 lbs |
| BKOC2548W | 685360010564 | 240/208 | 2000/1504 | 8.3/7.2 | | |
| BKOC2578W | 685360010878 | 277/240/208 | 2000/1504/1128 | 7.2/6.3/5.4 | | |
| BKOC25008W | 685360009810 | 208 | 2500 | 12.0 | | |
| BKOC25408W | 685360010328 | 240/208 | 2500/1880 | 10.4/8.7 | 96" | 20 lbs |
| BKOC25708W | 685360010632 | 277/240/208 | 2500/1880/1410 | 9.0/7.5/6.8 | | |

Approvals: _____

Optional Controls & Accessories:

| CATALOG NO. | UPC | DESCRIPTION | SHIP WT. |
|-------------|--------------|--|----------|
| TA1AW | 098319730411 | SP Thermostat, rated 22A @ 120-277V | 1 lbs |
| TA1TPAW | 685360185996 | Tamper-Resistant Version of TA1AW | 1 lbs |
| TA2AW | 685360186009 | DP Thermostat, rated 22A @ 120-277V | 1 lbs |
| TA2TPAW | 098319730442 | Tamper-Resistant Version of TA2AW | 1 lbs |
| HCA2415/20W | 098319730466 | 240V Load Transfer Switch, 20A | 1 lbs |
| HCA1215/20W | 098319730459 | 120V Load Transfer Switch, 20A | 1 lbs |
| RSA1224 | 098319714800 | 120V/24V Transformer Relay, 22A | 1 lbs |
| RSA2024 | 098319714855 | 208V/24V Transformer Relay, 22A | 1 lbs |
| RSA2424 | 098319714909 | 240V/24V Transformer Relay, 22A | 1 lbs |
| RSA2724 | 098319714954 | 277V/24V Transformer Relay, 19A | 1 lbs |
| RA1W | 098319730473 | 120V Duplex Receptacle | 1 lbs |
| DSW2W | 685360165066 | Double-Pole Power On/Off Switch rated 20A @ 120-277V | 1 lbs |
| PR24 | 098319713674 | Single-Pole Power Relay, 24VControl rated 30A @ 120-240V, 23A @ 277V | 1 lbs |
| PR120 | 098319713681 | Same as PR24 except with 120V Control | 1 lbs |
| ICANW | 685360011097 | Inside Corner | 1 lbs |
| RA1COMPW | 098319730480 | Duplex Receptacle Cover only — carton of 10 | 1 lbs |

NOTE: For high-altitude baseboard heater (mounted above 7,500 ft.), add suffix "H" to catalog number. 8 ft. length baseboards must be ordered in multiples of two pieces for shipment.

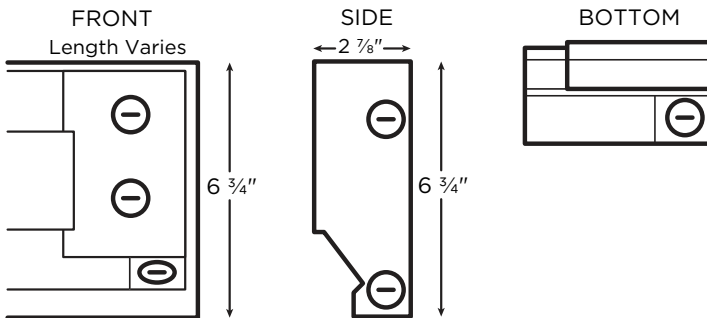
Filler Sections:

| CATALOG NO. | UPC | DESCRIPTION | SHIP WT. |
|-------------|--------------|----------------------|----------|
| FS12 | 098319731500 | 1 ft. Filler Section | 2 lbs |
| FS24 | 098319731517 | 2 ft. Filler Section | 4 lbs |
| FS36 | 098319731524 | 3 ft. Filler Section | 6 lbs |
| FS48 | 098319731531 | 4 ft. Filler Section | 8 lbs |
| FSJ2 | 098319731548 | 2 in. Joiner Strip | .5 lbs |

Blank Sections:

| CATALOG NO. | UPC | DESCRIPTION | SHIP WT. |
|-------------|--------------|-----------------------|----------|
| BKOCBDA2W | 685360009315 | 2.6 ft. Blank Section | 4 lbs |
| BKOCBDA3W | 685360009339 | 3 ft. Blank Section | 5 lbs |
| BKOCBDA4W | 685360009353 | 4 ft. Blank Section | 7 lbs |
| BKOCBDA5W | 685360009377 | 5 ft. Blank Section | 9 lbs |
| BKOCBDA6W | 685360009391 | 6 ft. Blank Section | 11 lbs |
| BKOCBDA8W | 685360009414 | 8 ft. Blank Section | 14 lbs |

Dimensions and Clearances:



No matter the industry or application, Marley Engineered Products has a robust portfolio of innovative, reliable, high-performance comfort heating and ventilation solutions for all your heating needs.

For more information or assistance on your next project, contact Technical Services at 800-642-4328

Scan the QR code to access additional specs and features



Approvals: _____