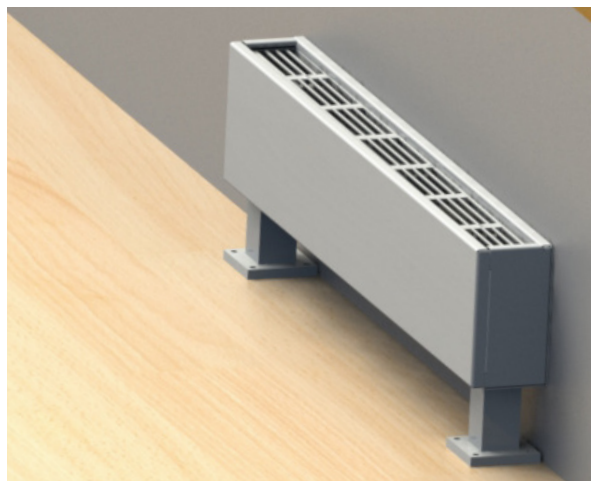


CPL SERIES

Decorative Pedestal Steel Convector

CONVECTORS



Ideal Spaces:

Offices

Hallways

Lobbies

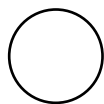
Retail Spaces

Terminals

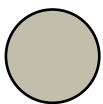
Commercial /

Institutional Spaces with

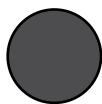
Floor-to-Ceiling Windows



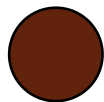
White



Beige



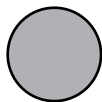
Charcoal Grey



Bronze



Black



Aluminum



Custom and/or Anodized
Colors also Available

- › CPL (Decorative) ideal for primary, secondary or supplemental heat where wall mounting is not viable
- › Perfect for under-the-window heat loss and condensation prevention
- › Durable front cover constructed of 16-gauge steel (optional 14-gauge available)
- › Pedestal-mounted design; bottom inlet - top outlet
- › Units may contain 1-3 heating elements that yield a broad range of heating capacity (see specifications)
- › Optional ¼ in. mesh located under the discharge grille to deter insertion of objects and restriction of airflow
- › Blend into any décor with 8 standard color options or custom finishes available upon request
- › Units can be mounted from wall-to-wall or as discrete units in standard lengths of 28 in. to 10 ft.
- › Optional built-in controls include: line voltage thermostat (SPST or DPST); power on/off switch; power relay; or transformer relay (see specifications)
- › Right- or left-hand entry/wiring flexibility with identical pre-wired junction boxes at either end
- › End-to-End wire-way provided for ease of wiring; and rated per the NEC conduit size and rating codes. Please consult factory for proper sizing and specifications
- › Easy connection of supply wiring from bottom, rear or end, as well as multiple wiring of adjacent heaters from one entry point
- › For service, all internal parts are accessible by removing cover



CPL SERIES

Decorative Pedestal Steel Convector

5 1/2" x 3" – Single Element

Lengths

Length	28"	3'	4'	5'	6'	8'	10'
Shipping Weight	11 lbs	15 lbs	18 lbs	25 lbs	29 lbs	38 lbs	47 lbs

NOTE: All models are NON-STOCK, MADE-TO-ORDER. When ordering, specify quantity, catalog number, voltage, wattage, optional controls, and color. Consult sales representative for lead times.

Watts per Ft.*

125	188
250	

*Specs vary by length. Refer to the submittal sheet for full details.

Voltages*

120	208	240
277	347	600

7" x 5" – Multiple Elements

Available Length

Length	28"	3'	4'	5'	6'	8'	10'
Shipping Weight	11 lbs	15 lbs	18 lbs	25 lbs	29 lbs	38 lbs	47 lbs

NOTE: All models are NON-STOCK, MADE-TO-ORDER. When ordering, specify quantity, catalog number, voltage, wattage, optional controls, and color. Consult sales representative for lead times.

Watts per Ft.*

1 Element*	125	188	250
2 Elements*	375	500	
3 Elements*	564	625	750

*Specs vary by length. Refer to the submittal sheet for full details.

Voltages*

Single Phase*	208	240	277
	347	600	
Three Phase*	208	240	600

Optional Accessories:

CATALOG NO.	DESCRIPTION	COMPATIBLE WITH	SHIP WT.	
BLANK SECTIONS	CPLASBL21	CPLAS Heaters	10 lbs	
	CPLASBL31		13 lbs	
	CPLASBL41		17 lbs	
	CPLASBL51		21 lbs	
	CPLASBL61	CPLAS Heaters	25 lbs	
			CPLASBL81	32 lbs
			CPLASBL101	42 lbs
	CPLAMBL21	CPLAM Heaters	14 lbs	
			CPLAMBL31	18 lbs
			CPLAMBL41	24 lbs
			CPLAMBL51	30 lbs
	CPLAMBL61	CPLAM Heaters	36 lbs	
CPLAMBL81			48 lbs	
CPLAMBL101			60 lbs	
PEDESTAL LEG KITS	CPLASPD2	Legs must be ordered with CPLAS Heaters/Blanks	3 lbs	
	CPLASPD3		4 lbs	
	CPLASPD4		5 lbs	
	CPLAMPD2	Legs must be ordered with CPLAM Heaters/Blanks	4 lbs	
			CPLAMPD3	5 lbs
			CPLAMPD4	7 lbs
END CAPS	RIGHT	CPLAS/CPLAM Heaters/Blanks	1 lbs	
	CSLASECR1		1 lbs	
	LEFT	CPLAS/CPLAM Heaters/Blanks	1 lbs	
			CSLASECL1	1 lbs

All steel convectors come standard with end caps. All pedestal style steel convectors come standard with pedestals. Outlet Mesh: Price per foot. 14-Gauge Front Cover: add 10% to heater price. Standard color included in base price. Other colors available. See paint policy page for information on custom paint colors. If color is not specified, front covers will be Beige. Back, grille, and accessories will be statuary bronze. When ordering, specify heater catalog number, voltage, phase, suffix catalog number for built-in controls, color, and options. Specify color for pedestal legs.

See Convector Heater Controls page for Optional Controls.

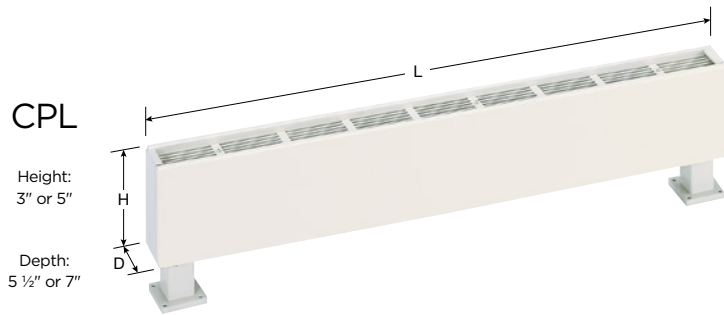
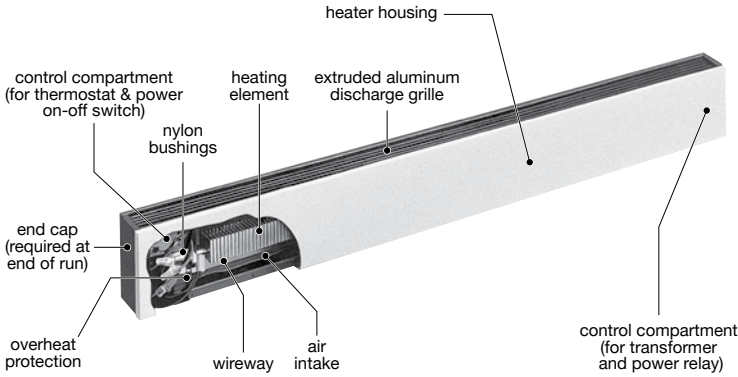
CPL SERIES

Decorative Pedestal Steel Convectector

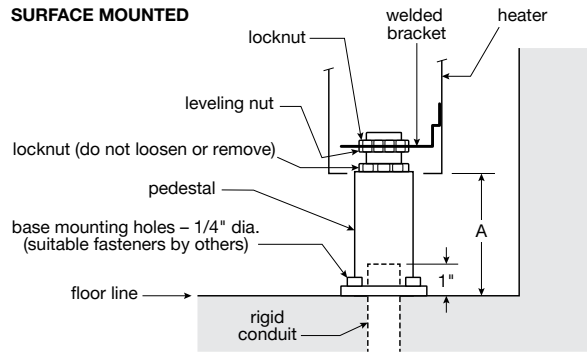
Scan the QR code to access additional specs and features



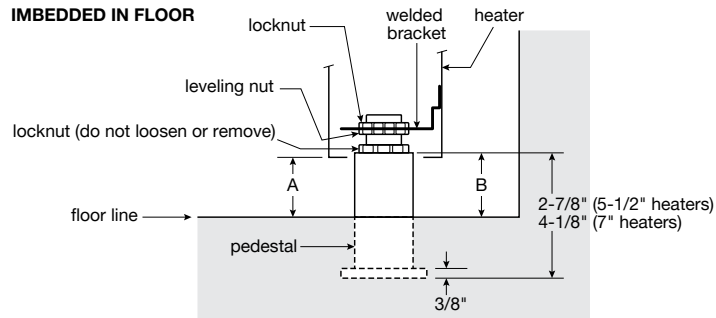
Dimensions and Clearances:



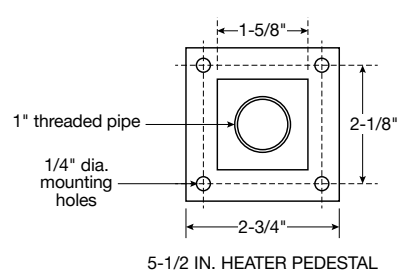
SURFACE MOUNTED



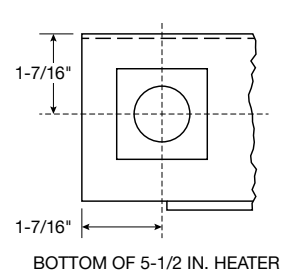
IMBEDDED IN FLOOR



PEDESTAL DETAILS



PEDESTAL LOCATION



PEDESTAL DETAILS

