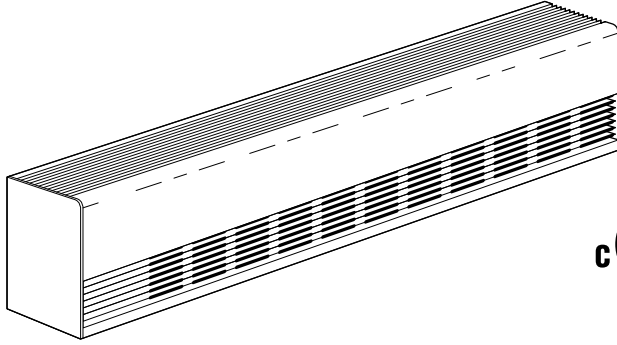




470 Beauty Spot Rd. E  
Bennettsville, SC 29512

SUBMITTAL SHEET  
DBA & SHA SERIES  
**ARCHITECTURAL  
SILL-HEIGHT CONVECTOR**

See Selection Chart for Options



DBA & SHA SERIES - ARCHITECTURAL SILL-HEIGHT CONVECTOR

JOB NAME: \_\_\_\_\_

LOCATION: \_\_\_\_\_

ARCHITECT: \_\_\_\_\_

ENGINEER: \_\_\_\_\_

CONTRACTOR: \_\_\_\_\_

SUBMITTED BY: \_\_\_\_\_ DATE: \_\_\_\_\_

TAG/ITEM	QTY.	CATALOG NUMBER	HEATER			AMPS	LENGTH	NUMBER OF ELEMENTS	BUILT-IN CONTROLS
			KW	VOLTS	Ø				

ACCESSORIES AND CONTROLS	TAG/ITEM	QTY.	CATALOG NUMBER	DESCRIPTION

SUBMITTED BY:	DATE

APPROVED BY:	DATE

# DBA & SHA SERIES ARCHITECT'S AND ENGINEER'S SPECIFICATIONS\*

Furnish and install, where indicated on plans, SHA/DBA Series convector type heaters, suitable for continuous operation, as manufactured by QMark®, A Division of Marley Engineered Products®, Bennettsville, SC.

**ENCLOSURE:** Shall be 12-gauge (.080" min.) aluminum extrusion (DBA) or 10-gauge (0.95" min.) aluminum extrusion (SHA). The one-piece back and bottom shall join to the one-piece top and front utilizing Qmark's Snap-Lock design. Both inlet and outlet air grilles shall be punched pencil-proof slots negating the need for mesh under the grille.

**SIZE:** Heaters shall be low profile (3 5/8" x 6" or 5 3/8" x 7") and available in standard lengths from 28 inches through 12 feet. Additionally, custom length cabinets available with single or multiple heat decks shall be furnished as specified.

**HEATING LENGTHS AND VOLTAGES:** Heater lengths, voltages and wattage capacities shall be as indicated on the plans.

**FINISH:** The top and front shall be finished with a baked enamel paint or anodized. Finished backs are available upon request.

**HEATING ELEMENTS:** The nickel-chromium heating element wire shall be encased in a steel sheath for maximum, trouble-free element life. Aluminum fins shall be pressure bonded to the steel sheath. Elements shall be centered, anchored and shall float freely at each end through high-temperature Noryl bushings. The SHA shall utilize QMark's "Stair-Step" element arrangement.

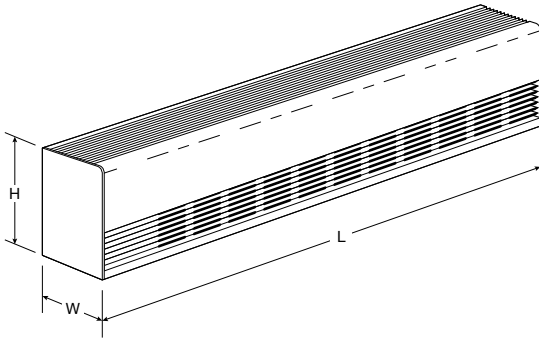
**CONTROL SECTIONS:** Control sections, finished to match heaters, shall be furnished as an optional accessory for field installation of controls, or shall be used to house factory-installed controls as specified.

**OPTION BUILT-IN CONTROLS:** Thermostats, power relay, low-voltage control relays, and power on/off switches, singly or in combination, may be specified for factory installation in heaters. Thermostats and power on/off switches are accessible through the grille.

**PEDESTALS:** The heater shall be convertible for use as a self-standing unit with pedestal conversion kit. Pedestals shall be painted steel or anodized aluminum. Pedestals can either be mounted on or embedded in the floor surface, and wiring or conduit brought through the pedestal during installation.

\*QMark reserves the right to change specifications without prior notice.

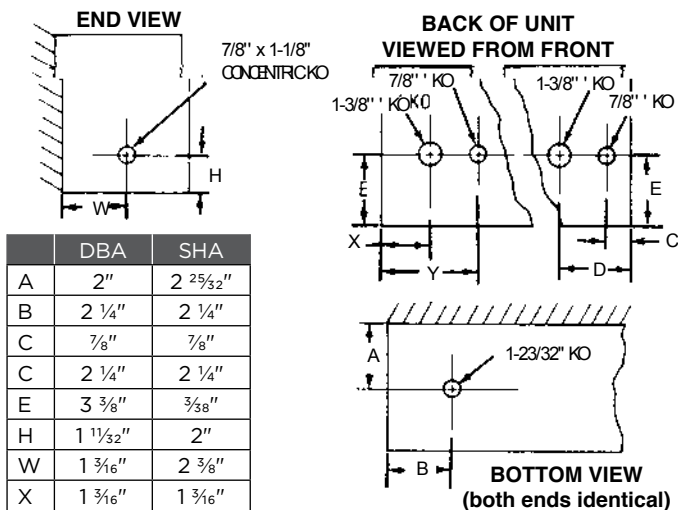
## Dimensions and Clearances:



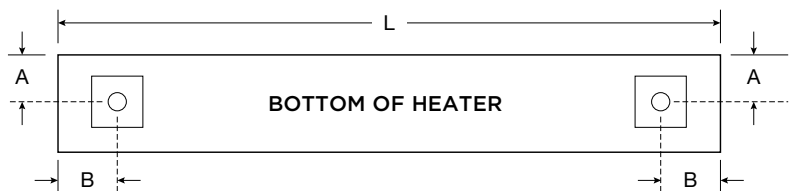
Cat. No.	Dimensions		
	H	W	L
DBA	6"	3 5/8"	28"-12'
SHA	7"	5 5/8"	28"-12'

Minimum Mounting Height Above Floor	
DBA & SHA Front Inlet	0"
DBA & SHA Bottom Inlet (100W/Ft.-250W/Ftr.)	1-3/4"
SHA Bottom Inlet (375W/Ft.-750W/Ft.)	3"

## Knockouts:



## Pedestal Placement:



Cat. No.	Standard Pedestal Placement		
	A	B	L
DBA	2"	2 1/4"	28-12"
SHA	2 13/16"	2 1/4"	28-12"

NOTE: On units longer than 12', three pedestals are required. Consult factory for placement.

Approvals: \_\_\_\_\_

**DBA & SHA (1 Element) Lengths**

Length	28"	3'	4'	5'	6'	7'	8'	9'	10'
Shipping Weight	8 lbs	10 lbs	13 lbs	17 lbs	20 lbs	24 lbs	27 lbs	30 lbs	33 lbs

NOTE: Cabinet available up to 12 ft. length. Custom length cabinets are priced with heater and blank to the next larger size. Backs are provided standard with no finish. For finished backs, add 10% to list price. Knockouts on back omitted by request only. All models are NON-STOCK made-to-order. When ordering, specify quantity, catalog number, voltage, wattage, optional controls, and color. Consult sales representative for lead times.

**Watts per Ft.\***

100	125	150
188	250	

**Voltages\***

120	208	240	277
480	347	600	

**SHA (Multiple Elements) Lengths**

Length	28"	3'	4'	5'	6'	7'	8'	9'	10'
Shipping Weight	12 lbs	15.5 lbs	20 lbs	25.5 lbs	30 lbs	35 lbs	40 lbs	45 lbs	50 lbs

NOTE: Cabinet available up to 12 ft. length. Custom length cabinets are priced with heater and blank to the next larger size. Backs are provided standard with no finish. For finished backs, add 10% to list price. Knockouts on back omitted by request only. All models are NON-STOCK made-to-order. When ordering, specify quantity, catalog number, voltage, wattage, optional controls, and color. Consult sales representative for lead times.

**Watts per Ft. — 2 Elements\***

375	500
-----	-----

**Voltages — Single Phase\***

208	240	277	347	600
-----	-----	-----	-----	-----

**Watts per Ft. — 3 Elements \***

600	750
-----	-----

**Voltages — Three Phase\***

208	240	600
-----	-----	-----

\*Specs vary by length. Reference the submittal sheet or additional detail

**Optional Built-In Controls:**

SUFFIX*	OPTIONAL BUILT-IN CONTROL	RATINGS & DESCRIPTION
T	Single-Pole Thermostat	Rated 25 amps @ 120-240 VAC and 22 amps @ 277 VAC. Pilot duty rating of 125 VA (all voltages). 60-120°F temperature range; adjustable through outlet grille-tamper-resistant. (See Note B) Not available on three-phase heaters.
2T	Double-Pole Thermostat	Rated 25 amps @ 120-240 VAC and 22 amps @ 277 VAC. Pilot duty rating of 125 VA (all voltages). 60-120°F temperature range; adjustable through outlet grille-tamper-resistant. (See Note B for amperage restrictions.)
DS	Power On/Off Switch	Double-pole, rated 20 amp @ 120-277 VAC. (See Note A) For three-phase heaters and single-phase heaters over 20 amps specify two.
TR	Transformer Relay	Single-pole, low voltage relay with built-in transformer (24 VAC control), rated 22 amps @ 120-240 VAC and 22 amps @ 277 VAC. (See note E) 17 amps @ 347V. Not available on three-phase heaters.
PR	Power Relay	Single-pole thermal time delay relay, rated 25 amps @ 120-600 VAC. (See Notes E & F). Specify control voltage.
2ST	2-Stage Thermostat	Rated 24 amps @ 120-240 VAC and 22 amps @ 277 VAC. Pilot duty rating of 125 VA (all voltages). 60-120°F temperature range, adjustable through outlet grille-tamper-resistant. Available on 2- or 3-element, single-phase heaters only.
PDT	Single-Pole Thermostat	Same as -T except Pilot Duty. (See Note C)
2TPD	Double-Pole Thermostat	Same as -2T except Pilot Duty. (See Note C & D)
M	Outlet Mesh	Price per foot

NOTE: \*Addition To Basic Catalog No. (See Note D)

**A.** For single-phase loads over 20A and all three-phase loads, specify (2) power on/off switches. **B.** This control option is not available on single-phase heaters over 25 amps (22 amps on 277 VAC). In combination with the power on/off switch option use the 2ST thermostat option on heaters over 20 amps. **C.** A second transformer relay can be sequenced off the first transformer relay in the same heater. Up to 30 power relays in different heaters can be controlled by (1) single-stage pilot duty thermostat. **D.** Up to 30 power relays in different heater can be controlled by each stage of a two-stage pilot duty thermostat. **E.** Two relays are required on single-phase heaters over 20 amps with a power on/off switch, over 25 amps without a power on/off and on all three-phase heaters. Two relays are available for two-stage on two- or three-element heaters only. **F.** Three power relays are available for three-stage on three-element heaters only.

**Control Combinations:**

		No Thermostat or Power ON/OFF Switch	Thermostats					Power ON/OFF (-DS) <sup>4</sup>	Thermostats & Power ON/OFF Switches				
			1-Pole (-T)	2-Pole (-2ST)	2-Stage (-2ST)	Pilot Duty (-PDT) <sup>2</sup>	2-Stage Pilot Duty (-2SPD) <sup>2</sup>		1-Pole	2-Pole	2-Stage	Pilot Duty	2-Stage Pilot Duty
<b>DBA</b>	No Power Controls	x	x	x			x	x	x				
	Power Relay (-PR)	x	x	x	x		x	x	x			x	
	Transformer Relay (-TR)	x	x	x	x		x	x	x			x	
<b>SHA</b>	No Power controls	x	x	x	x	x	x	x	x	x	x		
	Power Relay (-PR)	x	x	x	x	x	x	x	x	x	x	x	
	2 Power Relays (2-PR)	x		x	x	x	x	x		x	x	x	x
	3 Power Relays (3-PR)	x		x	x	x	x	x		x	x	x	x
	Transformer Relay (-TR)	x	x	x	x	x	x	x	x	x	x	x	
	2 Transformer Relays (-2TR)	x		x <sup>3</sup>	x <sup>3</sup>	x <sup>3</sup>	x <sup>3</sup>	x <sup>3</sup>	x <sup>3</sup>	x <sup>3</sup>	x <sup>3</sup>	x <sup>3</sup>	

NOTE: **1.** Normal mounting configuration is a thermostat and Power ON/OFF in left junction box; power relay, transformer relay, and pneumatic/electric switch in right junction box. **2.** When used with power relays or transformer relays, pilot duty thermostats will be wired into the coil circuit of the power relay or the 24V side of the transformer relay. The line voltage thermostats will be wired into the power circuit of the heater. **3.** When using two transformer relays with any additional controls (built-in thermostat or Power ON/OFF), please consult factory. **4.** For three-phase units, specify two Power ON/OFF.

Approvals: \_\_\_\_\_

**Blank Sections & Accessories – DBA Series:**

CATALOG NO.	DIMENSIONS (W x H x L)	INLET	SHIP WT.
DBABS1F	3 5/8" x 6" x 1'	Front	4 lbs
DBABS1B		Bottom	
DBABS2F	3 5/8" x 6" x 28"	Front	7 lbs
DBABS2B		Bottom	
DBABS3F	3 5/8" x 6" x 3'	Front	9 lbs
DBABS3B		Bottom	
DBABS4F	3 5/8" x 6" x 4'	Front	12 lbs
DBABS4B		Bottom	
DBABS5F	3 5/8" x 6" x 5'	Front	16 lbs
DBABS5B		Bottom	
DBABS6F	3 5/8" x 6" x 6'	Front	19 lbs
DBABS6B		Bottom	
DBABS7F	3 5/8" x 6" x 7'	Front	22 lbs
DBABS7B		Bottom	
DBABS8F	3 5/8" x 6" x 8'	Front	24 lbs
DBABS8B		Bottom	
DBABS9F	3 5/8" x 6" x 9'	Front	27 lbs
DBABS9B		Bottom	
DBABS10F	3 5/8" x 6" x 10'	Front	30 lbs
DBABS10B		Bottom	

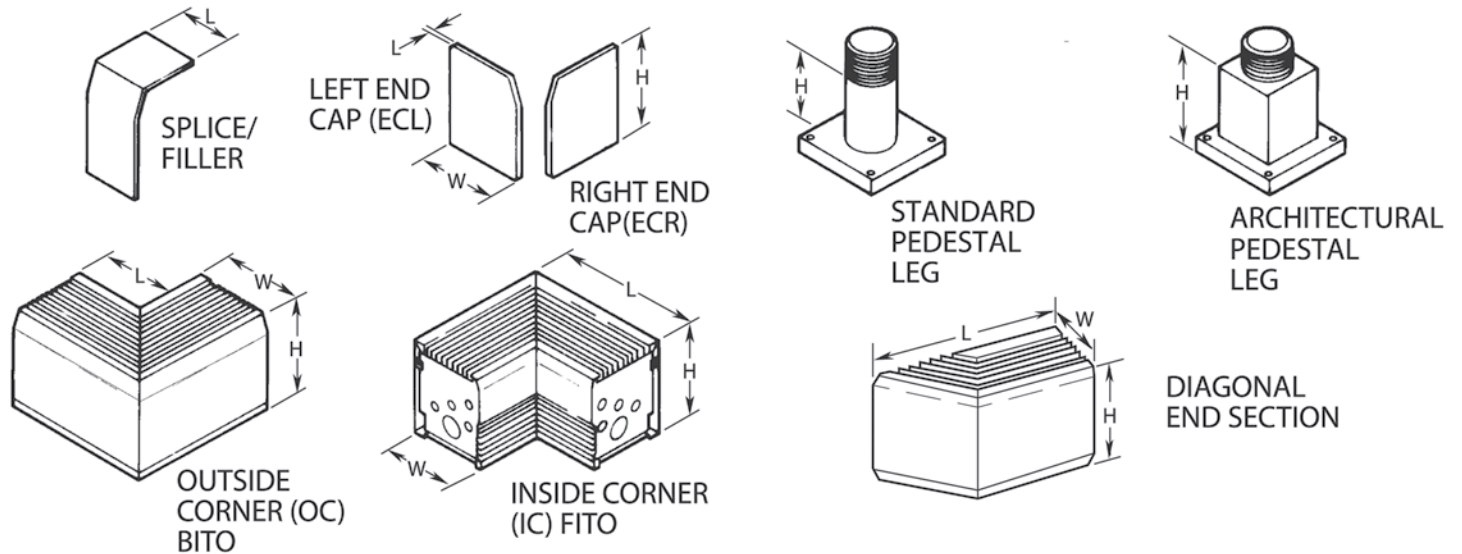
NOTE: Blank section grilles are not punched unless requested.

CATALOG NO.	DESCRIPTION	ADDITIONAL SPACE REQUIRED	SHIP WT.
DBAECLS**	End Cap w/Screws - Left		
DBAECRS**	End Cap w/Screws - Right		
DBAICF**	Inside Corner-Front In	8 1/2"	5 lbs
DBAICB**	Inside Corner-Bottom In	8 1/2"	5 lbs
DBAOCF**	Outside Corner-Front In	5"	4 lbs
DBAOCB**	Outside Corner-Bottom In	5"	4 lbs
DBA135ICF**	135° Inside Corner-Front In	8 1/2"	5 lbs
DBA135ICB**	135° Inside Corner-Bottom In	8 1/2"	5 lbs
DBA135OCF**	135° Outside Corner-Front In	5"	4 lbs
DBA135OCB**	135° Outside Corner-Bottom In	5"	4 lbs
DBADESBL**	Dec. End Section-Bottom In, Left	9 3/4"	5 lbs
DBADESBR**	Dec. End Section-Bottom In, Right		5 lbs
DBADESFL**	Dec. End Section-Front In, Left		4 lbs
DBADESFR**	Dec. End Section-Front In, Right		4 lbs
DBASP**	Splice Plate	0-1/4"	1 lbs
DBAFL3**	Filler Section 3 in.	0-3"	1 lbs
DBAFL6**	Filler Section 6 in.	3-6"	1 lbs
DBAFL9**	Filler Section 9 in.	6-9"	1 lbs
DBAFL12**	Filler Section 12 in.	9-12"	1 lbs
DBA-FL18**	Filler Section 18 in.	15-18"	1.5 lbs
DBADRF**	Receptacle Section-Front In	4 1/2"	1.5 lbs
DBADRB**	Receptacle Section-Bottom In		
DBAPEF**	Pneu/Ele Sw-Fnt. In	4 1/2"	2 lbs
DBAPEB**	Pneu/Ele Sw-Bot. In		
PK3S*	Standard Pedestal 2 7/8 in. (H)	-	2 lbs
PK3A*	Architectural Pedestal 2 7/8 in. (H)	-	2 lbs
SO1A***	Stand-Off Bracket	-	1 lbs

\*One pedestal. Two required on units up to 10 ft., three required on units over 10ft.

\*\*\* Add suffix -P for painted followed by the color code (i.e. W for White, B for Black, etc.), -C for clear anodized, -B for bronze anodized (excludes PK3S-Black only).

\*\*\* All Stand-off Brackets come standard as Beige.



# DBA & SHA SERIES

## How to Order - DBA

Example:

**DBA 04 250 F 27 S MM R 2T D 0 X 0 0 0 12345**

Model: **DBA**

Nominal Heater Length: **02** = 2.3' [28"], **03** = 2'+ - 3', **04** = 3'+ - 4', **05** = 4'+ - 5', **06** = 5'+ - 6', **07** = 6'+ - 7', **08** = 7'+ - 8', **09** = 8'+ - 9', **10** = 9'+ - 10', **11** = 10'+ - 11', **12** = 11'+ - 12'

Watts/ft: **100, 125, 150, 188, 250**

Air Inlet: **F**= Front Inlet, **B** = Bottom Inlet

Voltage (Single Phase Only): **12** = 120V, **20** = 208V, **22** = 220V, **24** = 240V, **27** = 277V, **34** = 347V, **60** = 600V

Layout: **S** = Standard layout units—Heat Deck, and control locations determined by the factory. **C** = Custom layout units—Heat Deck locations determined by Rep. using custom layout form. Control Location must be accounted for. See notes.

5 digit serial #

Outlet Mesh Mesh:  
**0** = None, **M** = Mesh

**0**

Duplex Receptacle: **0** = None, **R** = Receptacle

Transformer Relay (provides 24VAC power for external wall stat): **0** = None, **X** = Transformer Relay

Power Relay (requires external voltage): **0** = None, **1** = 120VAC holding coil, **2** = 24VAC holding coil

Disconnect Switch: **0** = None, **D** = (1) two pole Disconnect Switch

Thermostat: **0** = None, **T** = Single Pole Thermostat, **2T** = Double Pole Thermostat, **PD** = Pilot Duty Thermostat (requires PR or TR)

Incoming Power Hand\*\*: **R** = Right hand, **L** = Left hand

Heater Finish/Color (Front/Back): **M** = Mill, **C** = Clear Anodized, **Z** = Bronze Anodized, **K** = Black Anodized, **G** = Charcoal Grey, **B** = Black, **A** = Aluminum, **S** = Bronze, **N** = Beige, **W** = White, **U** = Custom\*

\*Custom finishes require additional approvals prior to acceptance

\*\*Control Hand / Incoming Power connection is determined by the hand of the DS/thermostat when facing the heater.

Contact Marley Sales Representative for additional configuration details

Approvals: \_\_\_\_\_

**Blank Sections & Accessories — SHA Series:**

CATALOG NO.	DIMENSIONS (W x H x L)	INLET	SHIP WT.
SHABS1F	5 3/8" x 7" x 1'	Front	7 lbs
SHABS1B		Bottom	
SHABS2F	5 3/8" x 7" x 28"	Front	11 lbs
SHABS2B		Bottom	
SHABS3F	5 3/8" x 7" x 3'	Front	14 lbs
SHABS3B		Bottom	
SHABS4F	5 3/8" x 7" x 4'	Front	18 lbs
SHABS4B		Bottom	
SHABS5F	5 3/8" x 7" x 5'	Front	22 lbs
SHABS5B		Bottom	
SHABS6F	5 3/8" x 7" x 6'	Front	27 lbs
SHABS6B		Bottom	
SHABS7F	5 3/8" x 7" x 7'	Front	32 lbs
SHABS7B		Bottom	
SHABS8F	5 3/8" x 7" x 8'	Front	37 lbs
SHABS8B		Bottom	
SHABS9F	5 3/8" x 7" x 9'	Front	40 lbs
SHABS9B		Bottom	
SHABS10F	5 3/8" x 7" x 10'	Front	44 lbs
SHABS10B		Bottom	

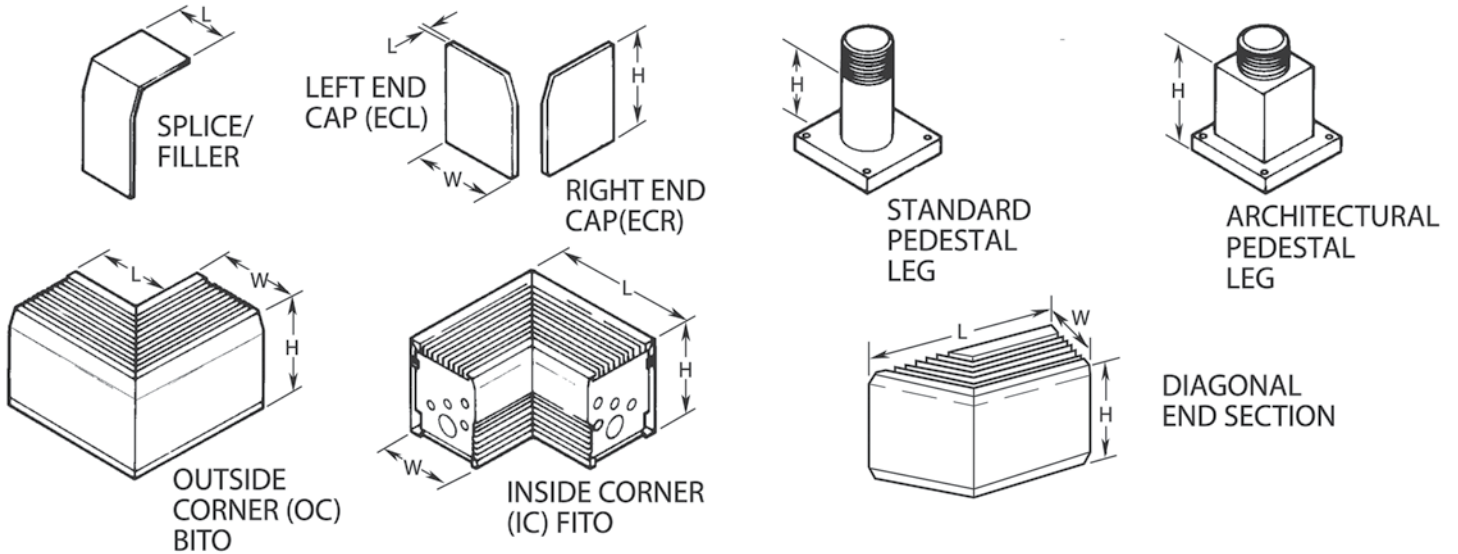
NOTE: Blank section grilles are not punched unless requested.

CATALOG NO.	DESCRIPTION	ADDITIONAL SPACE REQUIRED	SHIP WT.
SHAELCS**	End Cap w/Screws - Left		
SHAECRS**	End Cap w/Screws - Right		
SHAICF**	Inside Corner-Front In	10"	11 lbs
SHAICB**	Inside Corner-Bottom In	10"	11 lbs
SHAOCF**	Outside Corner-Front In	5"	7 lbs
SHAOCB**	Outside Corner-Bottom In	5"	7 lbs
SHA135ICF**	135° Inside Corner-Front In	10"	11 lbs
SHA135ICB**	135° Inside Corner-Bottom In	10"	11 lbs
SHA135OCF**	135° Outside Corner-Front In	5"	7 lbs
SHA135OCB**	135° Outside Corner-Bottom In	5"	7 lbs
SHADESBL**	Dec. End Section-Bot. In, Left	12 1/2'	11 lbs
SHADESBR**	Dec. End Section-Bot. In, Right		11 lbs
SHADESFL**	Dec. End Section-Front In, Left		7 lbs
SHADESFR**	Dec. End Section-Front In, Right		7 lbs
SHASP**	Splice Plate	0—1/4"	1 lbs
SHAFL3**	Filler Section 3 in.	0—3"	1 lbs
SHAFL6**	Filler Section 6 in.	3—6"	1 lbs
SHAFL9**	Filler Section 9 in.	6—9"	2 lbs
SHAFL12**	Filler Section 12 in.	9—12"	3 lbs
SHA-FL18**	Filler Section 18 in.	15—18"	5 lbs
SHADRF**	Receptacle Section-Front In	4 1/2"	2 lbs
SHADRB**	Receptacle Section-Bottom In		
PK5S*	Standard Pedestal 4 1/8 in. (H)	-	2 lbs
PK5A*	Architectural Pedestal 4 1/8 in. (H)		
SO1A***	Stand-Off Bracket	-	1 lbs

\*One pedestal. Two required on units up to 10 ft., three required on units over 10ft.

\*\*Add suffix -P for painted, -C for clear anodized, -B for bronze anodized (excludes PK5S - Black only).

\*\*\*All Stand-off Brackets come standard as Beige.

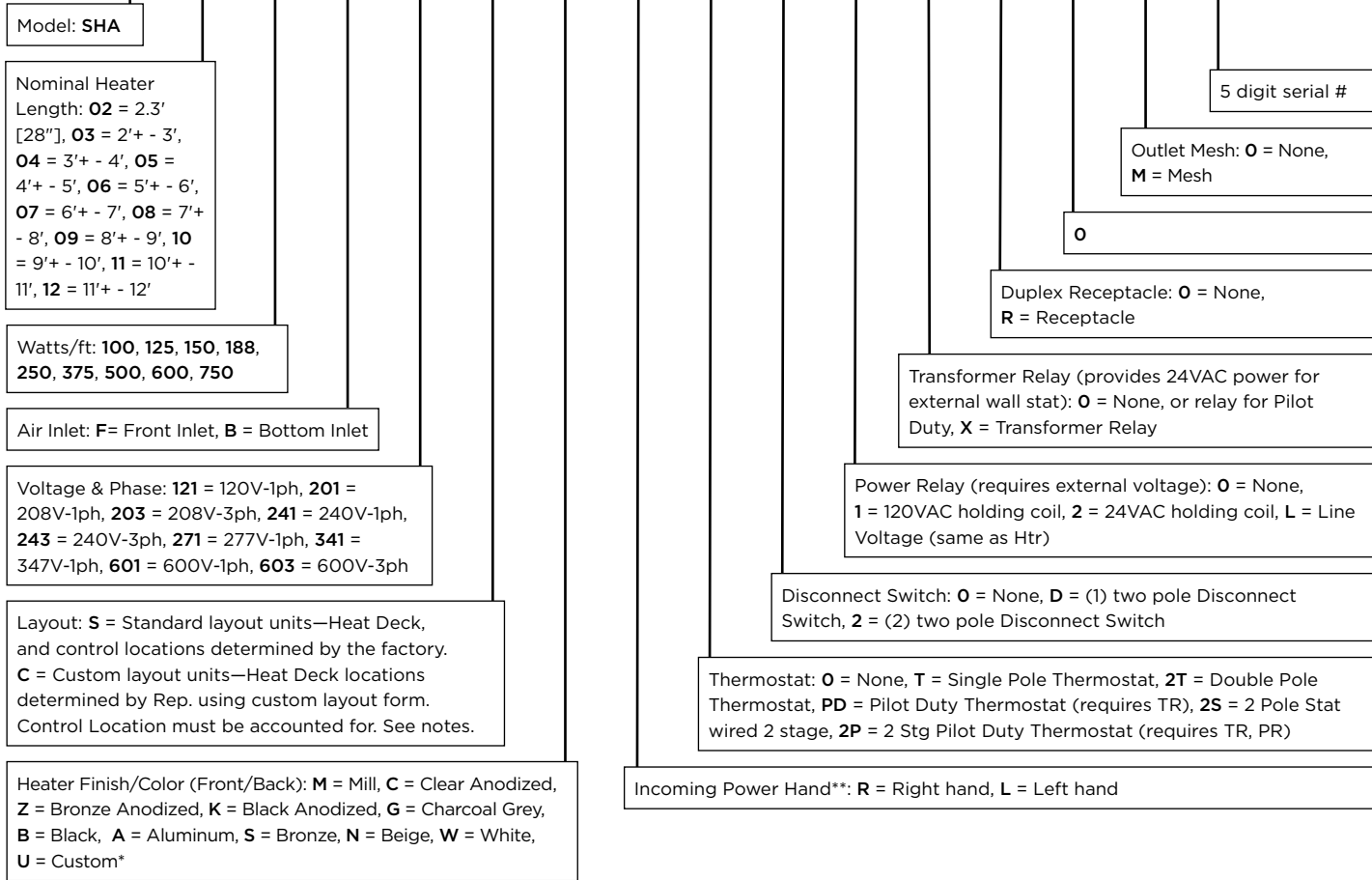


**DBA & SHA SERIES**

**How to Order - SHA**

Example:

**SHA 04 250 F 271 S MM R 2T D 0 X 0 0 0 12345**



\*Custom finishes require additional approvals prior to acceptance  
 \*\*Control Hand / Incoming Power connection is determined by the hand of the DS/ thermostat when facing the heater.  
 Contact Marley Sales Representative for additional configuration details

No matter the industry or application, Marley Engineered Products has a robust portfolio of innovative, reliable, high-performance comfort heating and ventilation solutions for all your heating needs.

For more information or assistance on your next project, contact Technical Services at 800-642-4328

**Scan the QR code to access additional specs and features**



Approvals: \_\_\_\_\_