

DSH SERIES

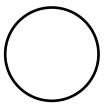
Decorative Sill-Height Steel Convectors

CONVECTORS

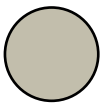


Ideal Spaces:

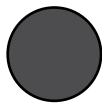
Offices
Hallways
Lobbies
Retail Spaces
Terminals
Commercial /
Institutional Spaces with
Floor-to-Ceiling Windows



White



Beige



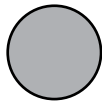
Charcoal Grey



Bronze



Black



Aluminum



Custom and/or Anodized
Colors also Available

- › Perfect for under-the-window heat loss and condensation prevention
- › Durable front cover constructed of 16-gauge steel (optional 14-gauge available)
- › Wall-mounted design with extruded aluminum; bottom or front inlet - top outlet discharge grille
- › Units may contain 1-3 heating elements that yield a broad range of heating capacity (see specifications)
- › Optional ¼ in. mesh located under the discharge grille to deter insertion of objects and restriction of airflow
- › Blend into any décor with 8 standard color options or custom finishes available upon request
- › Units can be mounted from wall-to-wall or as discrete units in standard lengths of 28 in. to 10 ft.
- › Locate at sill height (or lower) or run from mullion-to-mullion
- › Optional built-in controls include: line voltage thermostat (SPST or DPST); two-stage thermostat; power on/off switch; transformer relay; and power relay (see specifications)
- › Right- or left-hand entry/wiring flexibility with identical pre-wired junction boxes at either end
- › End-to-End wire-way provided for ease of wiring; and rated per the NEC conduit size and rating codes. Please consult factory for proper sizing and specifications
- › Easy connection of supply wiring from bottom, rear or end, as well as multiple wiring of adjacent heaters from one entry point
- › For service, all internal parts are accessible by removing cover



DSH SERIES

Decorative Sill-Height Steel Convectors

5 1/2" x 3" — Single Element

Lengths

Length	28"	3'	4'	5'	6'	8'	10'
Shipping Weight	11 lbs	15 lbs	18 lbs	25 lbs	29 lbs	38 lbs	47 lbs

NOTE: All models are NON-STOCK, MADE-TO-ORDER. When ordering, specify quantity, catalog number, voltage, wattage, optional controls, and color. Consult sales representative for lead times.

Watts per Ft.*

125	188
250	

Voltages*

120	208	240
277	347	600

*Specs vary by length. Refer to the submittal sheet for full details.

7" x 5" & 14" x 5" — Multiple Elements

Lengths

Length		28"	3'	4'	5'	6'	8'	10'
Shipping Weight	7" x 5"	17 lbs	21 lbs	28 lbs	35 lbs	42 lbs	56 lbs	70 lbs
	14" x 5"	25 lbs	32 lbs	42 lbs	53 lbs	60 lbs	80 lbs	100 lbs

NOTE: All models are NON-STOCK, MADE-TO-ORDER. When ordering, specify quantity, catalog number, voltage, wattage, optional controls, and color. Consult sales representative for lead times. 375 to 750 watts per foot units can be positioned to within 3 in. of floor; 5 1/2 in. and 7 in. high models are available with top outlet only. 14 in. models are available with top or front outlet.

Watts per Ft.*

1 Element*	125	188	250
2 Elements*	375	500	
3 Elements*	564	625	750

Voltages*

Single Phase*	208	240	277
	347	600	
Three Phase*	208	240	600

*Specs vary by length. Refer to the submittal sheet for full details.

Optional Accessories:

CATALOG NO.	COMPATIBLE WITH	HEIGHT	DEPTH	LENGTH	SHIP WT.
DSH05BL2*	DSH05	5 1/2"	3"	28"	10 lbs
DSH05BL3*				3'	13 lbs
DSH05BL4*				4'	17 lbs
DSH05BL5*				5'	21 lbs
DSH05BL6*				6'	25 lbs
DSH05BL8*				8'	32 lbs
DSH05BL10*				10'	42 lbs
DSH07BL2*	DSH07	7"	5"	28"	14 lbs
DSH07BL3*				3'	18 lbs
DSH07BL4*				4'	24 lbs
DSH07BL5*				5'	30 lbs
DSH07BL6*				6'	36 lbs
DSH07BL8*				8'	48 lbs
DSH07BL10*				10'	60 lbs
DSH14BL2*	DPH05	14"	5"	28"	22 lbs
DSH14BL3*				3'	29 lbs
DSH14BL4*				4'	38 lbs
DSH14BL5*				5'	48 lbs
DSH14BL6*				6'	57 lbs
DSH14BL8*				8'	76 lbs
DSH14BL10*				10'	95 lbs

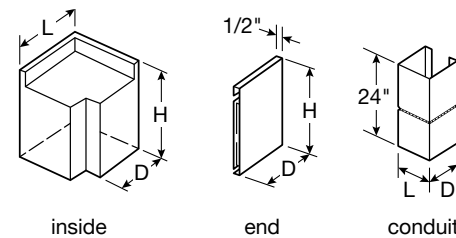
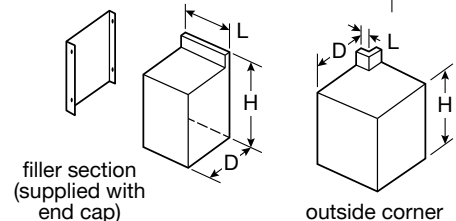
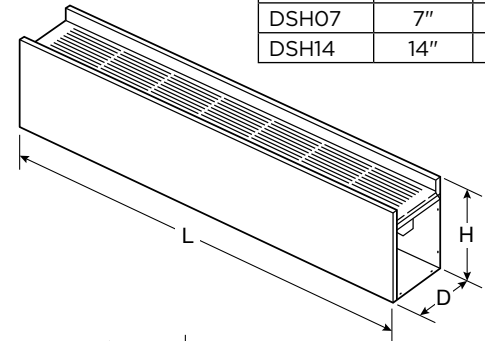
Outlet Mesh: Price per foot. 14-Gauge Front Cover; add 10% to heater price. Standard color included in base price. Other colors available. See paint policy page for information on custom paint colors. Maximum of 250 watts per ft. on front outlet models. When ordering, specify heater catalog number, voltage, phase, suffix catalog number for built-in controls, color, and options. 2. If color is not specified, front covers will be Beige. Front outlet models available only in 14 in. height and 125, 188 and 250 Wt./Ft. configuration. Outlet mesh is not available on front outlet models.

* Additional length the accessory adds to the total installation length. ** Built-in duplex receptacle available. Add model numbers suffix "-1" for bottom inlet - top outlet; add suffix "-3" for bottom inlet - front outlet.

Reference Marley Catalog and Submittals for additional control option details.

Dimensions and Clearances:

Cat. No.	Dimensions	
	H	D
DSH05	5 1/2"	3"
DSH07	7"	5"
DSH14	14"	5"



DSH SERIES

Decorative Sill-Height Steel Convectors

Scan the QR code
to access additional
specs and features



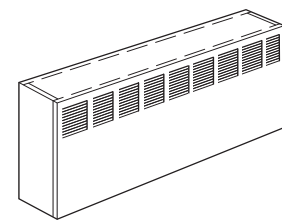
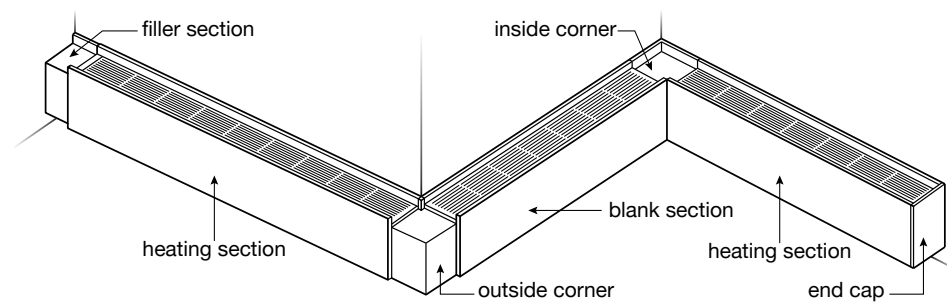
Optional Accessories:

CATALOG NO.		COMPATIBLE WITH	HEIGHT	DEPTH	LENGTH	ADDITIONAL LENGTH	SHIP WT.	
END CAPS	LEFT	DSH14DSH05ECL**	DSH05	5 1/2"	2 1/2"	-	1/8"	1 lbs
		DSH07ECL**	DSH07	7"	4 1/4"			1 lbs
		DSH14ECL**	DSH14	14"	4 1/4"			1 lbs
	RIGHT	DSH05ECR**	DSH05	5 1/2"	2 1/2"	-	1/8"	1 lbs
		DSH07ECR**	DSH07	7"	4 1/4"			1 lbs
		DSH14ECR**	DSH14	14"	4 1/4"			1 lbs
FILLER SECTIONS	DSH05FL3	DSH05	5 1/2"	5 1/8"	4	0-3	1 lbs	
	DSH07FL3	DSH07	7"	6 1/8"			2 lbs	
	DSH14FL3	DSH14	14"	13 1/8"			3 lbs	
	DSH05FL6**	DSH05	5 1/8"	2 1/2"	7	3-6	2 lbs	
	DSH07FL6**	DSH07	6 1/8"	4 1/2"			3 lbs	
	DSH14FL6**	DSH14	13 1/8"	4 1/2"			5 lbs	
	DSH05FL9**	DSH05	5 1/8"	2 1/2"	10	6-9	3 lbs	
	DSH07FL9**	DSH07	6 1/8"	4 1/2"			4 lbs	
	DSH14FL9**	DSH14	13 1/8"	4 1/2"			6 lbs	
	DSH05FL12**	DSH05	5 1/8"	2 1/2"	13	9-12	4 lbs	
	DSH07FL12**	DSH07	6 1/8"	4 1/2"			5 lbs	
	DSH14FL12**	DSH14	13 1/8"	4 1/2"			8 lbs	
	DSH05FL18**	DSH05	5 1/8"	2 1/2"	19	15-18	5 lbs	
	DSH07FL18**	DSH07	6 1/8"	4 1/2"			6 lbs	
	DSH14FL18**	DSH14	13 1/8"	4 1/2"			9 lbs	
CORNERS	INSIDE	DSH05IC1	DSH05	5 1/8"	2 1/2"	4 1/2"	3-3 1/2"	2 lbs
		DSH07IC1	DSH07	6 1/8"	4 1/2"	6"	5-5 1/2"	4 lbs
		DSH14IC1	DSH14	13 1/8"	4 1/2"	6"	5-5 1/2"	6 lbs
	OUTSIDE	DSH05OC1	DSH05	5 1/8"	2 1/2"	1"	0-1/2"	1 lbs
		DSH07OC1	DSH07	6 1/8"	4 1/2"			2 lbs
		DSH14OC1	DSH14	13 1/8"	4 1/2"			4 lbs
	CONDUIT	SHCC05	DSH05	-	2 5/8"	2 1/2"	-	4 lbs
		SHCC07	DSH07	-	-	-	-	5 lbs
		SHCC14	DSH14	-	3 5/8"	3"	-	5 lbs
STAND-OFF BRACKETS	SO1	DSH05A	4 3/4"	3/4"	3"	-	1 lbs	
	SO2	DSH07A	6 3/4"	3/4"	3"	-	1 lbs	

All steel convectors come standard with end caps. All pedestal style steel convectors come standard with pedestals. Outlet Mesh: Price per foot. 14-Gauge Front Cover: add 10% to heater price. Standard color included in base price. Other colors available. See paint policy page for information on custom paint colors. Maximum of 250 watts per ft. on front outlet models. When ordering, specify heater catalog number, voltage, phase, suffix catalog number for built-in controls, color, and options. 2. If color is not specified, front covers will be Beige. Front outlet models available only in 14 in. height and 125, 188 and 250 Wt./Ft. configuration. Outlet mesh is not available on front outlet models.

*Additional length the accessory adds to the total installation length. **Built-in duplex receptacle available. Add model numbers suffix "-1" for bottom inlet - top outlet; add suffix "-3" for bottom inlet - front outlet.

Typical Installation



Front Outlet Model

Front outlet is available on Catalog No. DSH14 heaters only, in 125, 188, and 250 watts/foot configuration. Outlet mesh is not available on front outlet models.