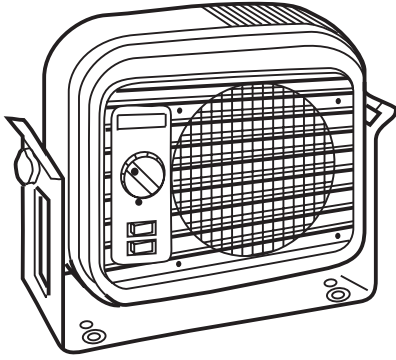


SUBMITTAL SHEET
PH5HWAC SERIES
UNIT HEATER

PH5HWAC SERIES - UNIT HEATER



JOB NAME: _____

LOCATION: _____

ARCHITECT: _____

ENGINEER: _____

CONTRACTOR: _____

SUBMITTED BY: _____ DATE: _____

TAG/ITEM	QTY.	CATALOG NUMBER	HEATER		AMPS	GRILLE FINISH	CEILING MOUNT
			KW	VOLTS			

ACCESSORIES AND CONTROLS	TAG/ITEM	QTY.	CATALOG NUMBER	DESCRIPTION

SUBMITTED BY:	DATE

APPROVED BY:	DATE

PH5HWAC SERIES ARCHITECT'S AND ENGINEER'S SPECIFICATIONS*

Unit mounts either horizontally or vertically. Totally versatile. For factories, warehouses, garages, stores, shipping rooms, power stations, aircraft hangers. Can be used for primary, supplementary, spot, or dual-system heating.

Heavy gauge die-formed steel housing.

Advanced pull-through air flow design draws air across heating element for more even air distribution and cooler element operation.

Specially designed venturi outlet to meet that added throw as required in vertical position.

Completely enclosed fan motor.

Aluminum-finned, copper clad steel sheath heating element has longer useful life, because of cooler sheath temperature and faster heat dissipation.

Automatic reset linear thermal cut-out, capillary type, provides protection over entire length of element areas

Ruggedly built, yet lighter weight for easier installation. No piping flutes, valves, or traps.

Multiple wattage heat selector switch. Either 5KW or 3.3KW @ 240V (3.7KW or 2.5KW @ 208V) for just the right amount of heat.

Fan only switch allows fan to cycle automatically with elements or run continuously for air movement when no heat is required.

Built-in bi-metal thermostat. Range 40° to 90° F.

Heater is shipped with ceiling/wall bracket.

Meets all UL, NEC, and OSHA requirements.

**Berko reserves the right to change specifications without prior notice*

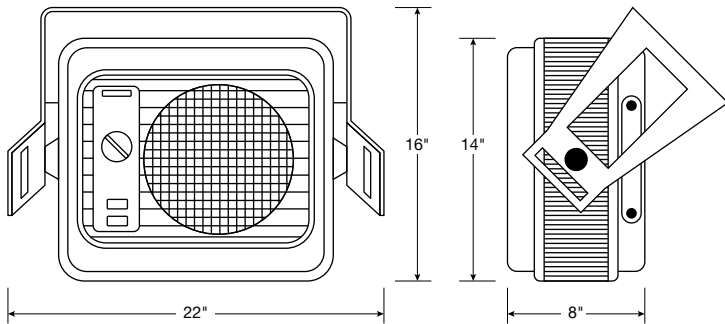
Models & Specifications:

ITEM INFORMATION		ELECTRICAL DATA				SHIP WT.
CATALOG NO.	UPC	VOLTS	WATTS	BTU/HR.	AMPS	
PH5HWAC	685360150710	240	5000/3333	17060/11372	21.0/14.0	28 lbs
		208	3750/2500	12795/8530	18.0/12.0	

Optional Accessories:

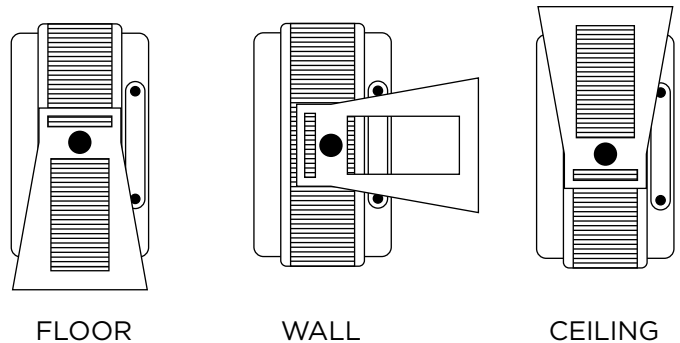
CATALOG NO.	UPC	DESCRIPTION
PHCS1B	685360150703	Cord & Plug Assembly (Optional)

Dimensions and Clearances:



Special Combination Stand & Swivel Bracket:

Enables unit to be positioned in a variety of ways. Especially easy to install on ceilings or walls, the bracket is already predrilled with 16" O.C. mounting holes.



No matter the industry or application, Marley Engineered Products has a robust portfolio of innovative, reliable, high-performance comfort heating and ventilation solutions for all your heating needs.

For more information or assistance on your next project, contact Technical Services at 800-642-4328

Scan the QR code to access additional specs and features



Approvals: _____