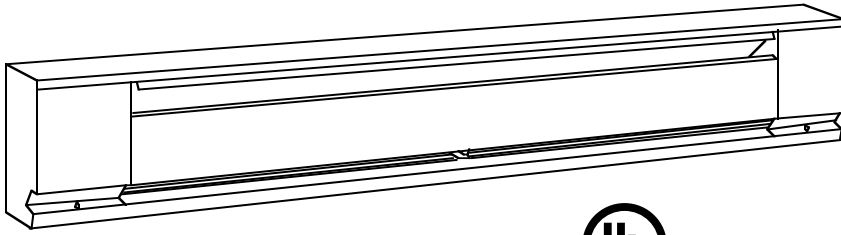




470 Beauty Spot Rd. E
Bennettsville, SC 29512

SUBMITTAL SHEET
QMKC SERIES
**COMMERCIAL
BASEBOARD HEATER**



CAPACITIES
282 TO 2500 W 2'6", 3', 4', 5', 6' or 8' lengths

See Selection Chart for all Options

QMKC SERIES - COMMERCIAL BASEBOARD HEATER

JOB NAME: _____

LOCATION: _____

ARCHITECT: _____

ENGINEER: _____

CONTRACTOR: _____

SUBMITTED BY: _____ DATE: _____

TAG/ITEM	QTY.	CATALOG NUMBER	HEATER			AMPS	LENGTH	WEIGHT
			KW	VOLTS	Ø			

ACCESSORIES AND CONTROLS	TAG/ITEM	QTY.	CATALOG NUMBER	DESCRIPTION

SUBMITTED BY:	DATE

APPROVED BY:	DATE

GMKC SERIES ARCHITECT'S AND ENGINEER'S SPECIFICATIONS*

Furnish and install where indicated on plans, electric baseboard heaters, suitable for continuous operation as manufactured by QMark®, A Marley Engineered Products® Brand, Bennettsville, SC. Heaters shall be cULus listed.

ENCLOSURE: The heaters shall be fabricated of minimum .024 inch steel with minimum .040 inch steel control boxes. Support brackets shall be .035 inch steel. Junction box enclosure to have provisions for incoming and outgoing cable with cable clamp for restraining without additional hardware. Ground wire pigtail provided in each junction box for grounding.

FRONT COVER: The front cover shall be fabricated of minimum .048 inch steel.

HEATING ELEMENT: The heating element wire shall consist of 80% nickel, 20% chromium, and shall be encased in steel sheath to ensure long and trouble free life. Aluminum fins shall be so designed as to block sheath radiation to front and back of heater body and pressure bonded to steel sheath.

INSTALLATION: Heaters shall be designed to permit use of supply conductors with 60°C insulation.

GENERAL: Beige durable textured polyester powder coat finish for corrosion resistance. Linear thermal cut-out shall be factory installed to automatically shut off heater in event of overheating and reactivate heater when temperatures return to normal. The complete heater shall have a height of 6 ¾ inches and a depth of 2 ⅞ inches. Heaters shall have cULus approval for mounting on any floor surface including carpeting

*QMark reserves the right to change specifications without prior notice.

Models & Specifications:

ITEM INFORMATION		ELECTRICAL DATA			DIMENSIONAL DATA	
CATALOG NO.	UPC	VOLTS	WATTS	AMPS	LENGTH	SHIP WT.
QMKC25126W	685360060460	120	500	4.2	30"	7.8 lbs
QMKC25026W	685360060163	208	500	2.4		
QMKC25426W	685360060873	240/208	500/376	2.1/1.8		
QMKC25726W	685360061320	277/240/208	500/376/282	1.8/1.6/1.4		
QMKC2513W	685360060514	120	750	6.5	36"	9.0 lbs
QMKC2503W	685360060217	208	750	3.6		
QMKC2543W	685360060927	240/208	750/564	3.1/2.7		
QMKC2573W	685360061375	277/240/208	750/564/423	2.7/2.4/2.0		
QMKC2514W	685360060569	120	1000	8.3	48"	11.5 lbs
QMKC2504W	685360060262	208	1000	4.8		
QMKC2544W	685360060972	240/208	1000/752	4.2/3.6		
QMKC2574W	685360061429	277/240/208	1000/752/564	3.6/3.1/2.7		
QMKC2515W	685360060613	120	1250	10.4	60"	13.0 lbs
QMKC2505W	685360060316	208	1250	6.0		
QMKC2545W	685360061023	240/208	1250/940	5.2/4.5		
QMKC2575W	685360061474	277/240/208	1250/940/705	4.5/3.9/3.4		
QMKC2516W	685360060668	120	1500	12.6	72"	15.5 lbs
QMKC2506W	685360060361	208	1500	7.2		
QMKC2546W	685360061078	240/208	1500/1128	6.3/5.4		
QMKC2576W	685360061528	277/240/208	1500/1128/846	5.4/4.7/4.1		
QMKC2508W	685360060415	208	2000	9.6	96"	20 lbs
QMKC2548W	685360061122	240/208	2000/1504	8.3/7.2		
QMKC2578W	685360061573	277/240/208	2000/1504/1128	7.2/6.3/5.4		
QMKC25008W	685360060118	208	2500	12.0		
QMKC25408W	685360060828	240/208	2500/1880	10.4/8.7	96"	20 lbs
QMKC25708W	685360061276	277/240/208	2500/1880/1410	9.0/7.5/6.8		

Approvals: _____

Optional Controls & Accessories:

CATALOG NO.	UPC	DESCRIPTION	SHIP WT.
TA1AW	098319730411	SP Thermostat, rated 22A @ 120-277V	1 lbs
TA1TPAW	098319730428	Tamper-Resistant Version of TA1AW	1 lbs
TA2AW	098319730435	DP Thermostat, rated 22A @ 120-277V	1 lbs
TA2TPAW	098319730442	Tamper-Resistant Version of TA2AW	1 lbs
HCA2415/20W	098319730466	240V Load Transfer Switch, 20A	1 lbs
HCA1215/20W	098319730459	120V Load Transfer Switch, 20A	1 lbs
RSA1224	098319714800	120V/24V Transformer Relay, 22A	1 lbs
RSA2024	098319714855	208V/24V Transformer Relay, 22A	1 lbs
RSA2424	098319714909	240V/24V Transformer Relay, 22A	1 lbs
RSA2724	098319714954	277V/24V Transformer Relay, 19A	1 lbs
RA1W	098319730473	120V Duplex Receptacle	1 lbs
DSW2W	098319730497	Double-Pole Power On/Off Switch rated 20A @ 120-277V	1 lbs
PR24	098319713674	Single-Pole Power Relay, 24VControl rated 30A @ 120-240V, 23A @ 277V	1 lbs
PR120	098319713681	Same as PR24 except with 120V Control	1 lbs
ICANW	098319730503	Inside Corner	1 lbs
RA1COMPW	098319730480	Duplex Receptacle Cover only - carton of 10	1 lbs

NOTE: For high-altitude baseboard heater (mounted above 7,500 ft.), add suffix "H" to catalog number. 8 ft. length baseboards must be ordered in multiples of two pieces for shipment.

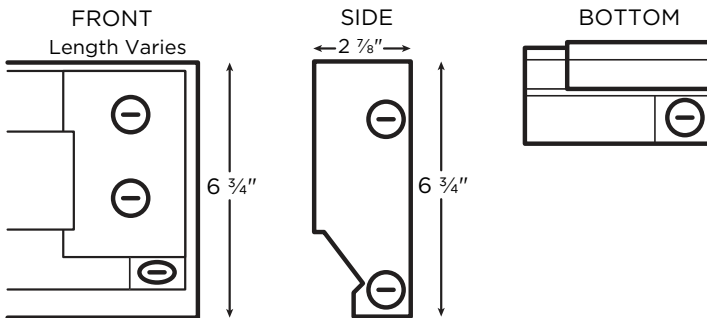
Filler Sections:

CATALOG NO.	UPC	DESCRIPTION	SHIP WT.
FS12	098319731500	1 ft. Filler Section	2 lbs
FS24	098319731517	2 ft. Filler Section	4 lbs
FS36	098319731524	3 ft. Filler Section	6 lbs
FS48	098319731531	4 ft. Filler Section	8 lbs
FSJ2	731548	2 in. Joiner Strip	.5 lbs

Blank Sections:

CATALOG NO.	UPC	DESCRIPTION	SHIP WT.
QMKCBDA2W	685360059594	2.6 ft. Blank Section	4 lbs
QMKCBDA3W	685360059617	3 ft. Blank Section	5 lbs
QMKCBDA4W	685360059631	4 ft. Blank Section	7 lbs
QMKCBDA5W	685360059655	5 ft. Blank Section	9 lbs
QMKCBDA6W	685360059679	6 ft. Blank Section	11 lbs
QMKCBDA8W	685360059693	8 ft. Blank Section	14 lbs

Dimensions and Clearances:



No matter the industry or application, Marley Engineered Products has a robust portfolio of innovative, reliable, high-performance comfort heating and ventilation solutions for all your heating needs.

For more information or assistance on your next project, contact Technical Services at 800-642-4328

Scan the QR code to access additional specs and features



Approvals: _____