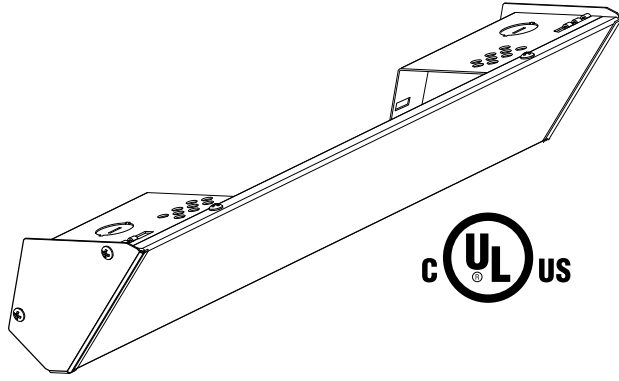


SUBMITTAL SHEET
RCC SERIES
COVE HEATER

RCC SERIES - COVE HEATER



CAPACITIES
34"-132" Lengths 450-1800 Watts 120, 208, 240, or 277 Volts

See Selection Chart for all Options

JOB NAME: _____

LOCATION: _____

ARCHITECT: _____

ENGINEER: _____

CONTRACTOR: _____

SUBMITTED BY: _____ DATE: _____

TAG/ITEM	QTY.	CATALOG NUMBER	HEATER		AMPS	LENGTH	SHIP WT.
			KW	VOLTS			

ACCESSORIES AND CONTROLS	TAG/ITEM	QTY.	CATALOG NUMBER	DESCRIPTION

SUBMITTED BY:	DATE

APPROVED BY:	DATE

RCC SERIES ARCHITECT'S AND ENGINEER'S SPECIFICATIONS*

Furnish and install where indicated on the plans, Type RCC Series Cove heaters as manufactured by Berko®, A Marley Engineered Products® Brand, Bennettsville, SC. Heaters shall be cULus listed. The heater shall be designed to provide radiant and convection heating in the area to be heated.

FRONT PANEL: The front panel which is the radiating surface shall be of extruded aluminum, coated with "high temperature" rated textured powder coat paint to achieve a high radiating efficiency. The backside of the front panel shall have a formed section to hold the heating element. The backside is to include the crossover wires at the bottom of the extrusion to be able to wire the heater from either end.

BACK SHIELD: The back shield shall be formed of 24-gauge plated steel and be able to spring into place without

hardware. The heater shall be open on top and bottom to permit maximum convection heating of room air.

ELEMENT: The heating element wire shall consist of high resistance nickel-chrome alloy wire, embedded in high purity magnesium oxide, and encased in a metal sheath for maximum strength and corrosion resistance.

INSTALLATION: Mounting brackets shall be included with the heaters for mounting on any wall surface. Heaters shall be completely assembled and pre-wired for either single or multiple-heater installations. Heater construction shall permit supply wiring to be brought in and connected at either end of the heater. All capacities, voltages, physical sizes and options shall be as specified in the heater schedule.

**Berko reserves the right to change specifications without prior notice.*

Models & Specifications:

ITEM INFORMATION		ELECTRICAL DATA				DIMENSIONAL DATA	
CATALOG NO.	UPC	VOLTS	WATTS	BTU/HR.	AMPS	LENGTH	SHIP WT.
RCC4524C	685360147192	240	450	1536	2.2	34"	4 lbs
RCC6024C	685360147222	240	600	2048	2.5	47"	6 lbs
RCC7524C	685360147260	240	750	2560	3.1	59"	7 lbs
RCC9024C	685360147307	240	900	3072	3.7	71"	8 lbs
RCC10524C	685360147451	240	1050	3583	4.4	83"	9 lbs
RCC12024C	685360147376	240	1200	4095	5.0	94"	10 lbs
RCC15024C	685360147406	240	1500	5120	6.2	118"	13 lbs
RCC18008C	685360147420	208	1800	6142	8.7	132"	15 lbs
RCC4512C	685360147185	120	450	1536	2.2	34"	4 lbs
RCC4508C	685360147178	208	450	1536	2.2	34"	4 lbs
RCC6012C	685360147215	120	600	2048	5.0	47"	6 lbs
RCC6008C	685360147208	208	600	2048	2.9	47"	6 lbs
RCC6027C	685360147239	277	600	2048	2.2	47"	6 lbs
RCC7512C	685360147253	120	750	2560	6.2	59"	7 lbs
RCC7508C	685360147246	208	750	2560	3.6	59"	7 lbs
RCC7527C	685360147277	277	750	2560	2.7	59"	7 lbs
RCC9012C	685360147291	120	900	3072	7.5	71"	8 lbs
RCC9008C	685360147284	208	900	3072	4.3	71"	8 lbs
RCC9027C	685360147314	277	900	3072	3.2	71"	8 lbs
RCC10512C	685360147338	120	1050	3583	8.8	83"	9 lbs
RCC10508C	685360147321	208	1050	3583	5.0	83"	9 lbs
RCC10527C	685360147345	277	1050	3583	3.8	83"	9 lbs
RCC12012C	685360147369	120	1200	4095	10.0	94"	10 lbs
RCC12008C	685360147352	208	1200	4095	5.8	94"	10 lbs
RCC12027C	685360147383	277	1200	4095	4.3	94"	10 lbs
RCC15008C	685360147390	208	1500	5120	7.2	118"	13 lbs
RCC15027C	685360147413	277	1500	5120	5.4	118"	13 lbs
RCC18024C	685360147437	240	1800	6142	7.5	132"	15 lbs
RCC18027C	685360147444	277	1800	6142	6.5	132"	15 lbs

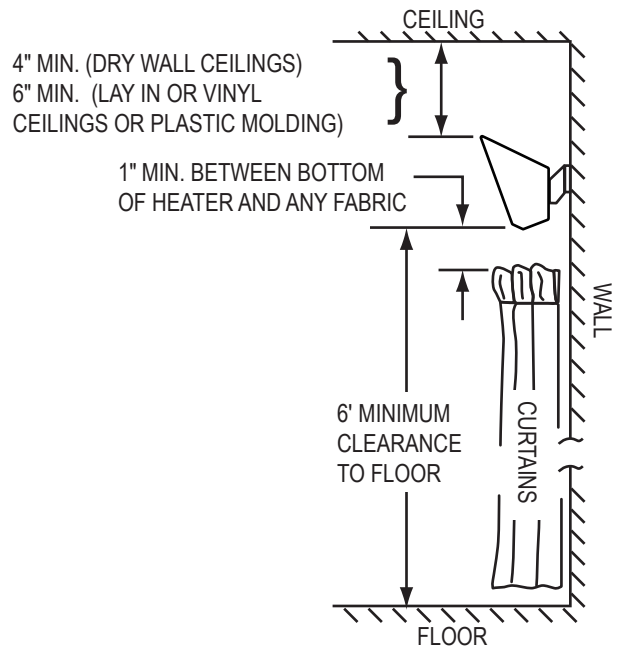
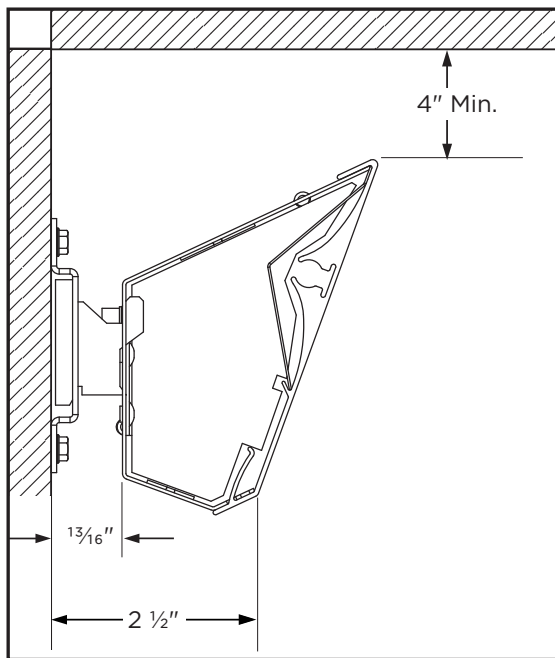
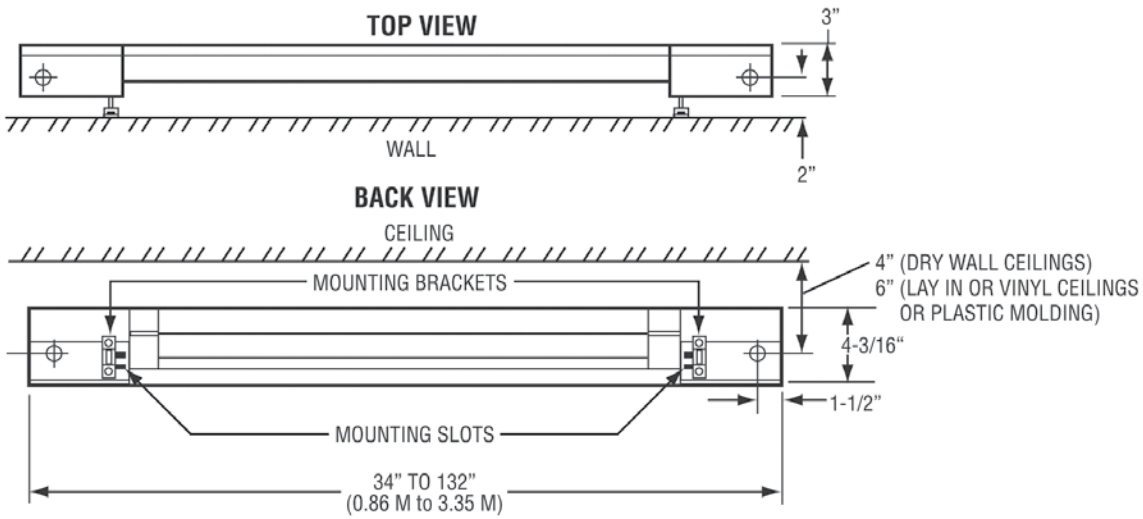
Optional Accessories:

CATALOG NO.	UPC	DESCRIPTION	SHIP WT.
RCCT	685360065663	Integral Thermostat: Range 45-90°F with Positive Off	1 lbs
RCCSPC	685360147666	Splice Plate Assembly	2 lbs

Approvals: _____

RCC SERIES

Dimensions and Clearances:



No matter the industry or application, Marley Engineered Products has a robust portfolio of innovative, reliable, high-performance comfort heating and ventilation solutions for all your heating needs.

For more information or assistance on your next project, contact Technical Services at 800-642-4328

Scan the QR code to access additional specs and features



Approvals: _____