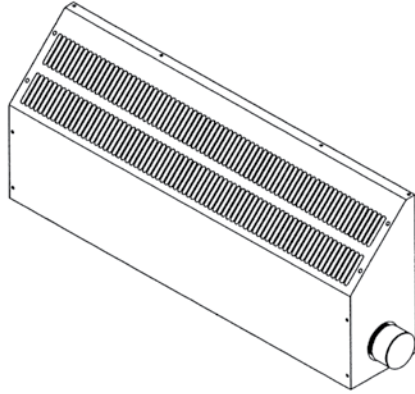




470 Beauty Spot Rd. E  
Bennettsville, SC 29512

# SUBMITTAL SHEET EXPLOSION-PROOF CONVECTOR

EXPLOSION-PROOF CONVECTOR



CAPACITIES
0.5-9.5 kW   120-600V   1Ø or 3Ø Class I, Divisions 1 & 2, Groups B, C & D Class II, Divisions 1 & 2, Groups E, F & G Class I, Zones 1 & 2, Groups IIB & H2

See Selection Chart for Options

JOB NAME: \_\_\_\_\_

LOCATION: \_\_\_\_\_

ARCHITECT: \_\_\_\_\_

ENGINEER: \_\_\_\_\_

CONTRACTOR: \_\_\_\_\_

SUBMITTED BY: \_\_\_\_\_ DATE: \_\_\_\_\_

TAG/ITEM	QTY.	CATALOG NUMBER	HEATER			AMPS	BUILT-IN CONTROLS
			KW	VOLTS	Ø		

ACCESSORIES AND CONTROLS	TAG/ITEM	QTY.	CATALOG NUMBER	DESCRIPTION	

SUBMITTED BY:	DATE

APPROVED BY:	DATE

# EXPLOSION-PROOF CONVECTOR ARCHITECT'S AND ENGINEER'S SPECIFICATIONS\*

Electric explosion proof convection heater(s) shall be supplied by QMark, a Marley Engineered Products® Brand, Bennettsville, SC, USA, and shall be of the KW rating, voltage and phase specified in the schedule. They shall be convection type heating units, certified to cCSAus and ABS, and approved for Class I, Divisions 1 and 2, Group B, C and D; Class II, Divisions 1 and 2, Groups E, F and G; Class I, Zones 1 and 2, Group IIB and H2. These convection heaters have been designed and manufactured to provide a rugged and corrosion resistant heat source for areas where volatile flammable liquids or gases and vapors are present.

**SAFETY:** Convection heaters shall be outfitted a linear limit, automatic reset thermal cutout standard to every unit.

**HEAT EXCHANGER:** Grade A Nickel-Chromium heating coils are insulated with ceramics and magnesium oxide from the copper heater tube and fitted with large aluminum fins locked in place for optimal heat transfer.

**ENCLOSURE:** Heat exchanger and components to be enclosed in an industrial grade, corrosion-resistant all welded cabinet fabricated with polyester powder-coated, 14 gauge steel. The front cover shall be set at a 45° angle, discouraging the use of heater as a shelf or “step stool” and preventing objects from

being set on top of the convector, which can restrict airflow and cause overheating. Inlet and discharge air louvers shall be stamped and integrated into the front cover for additional rigidity.

## CONSTRUCTION OPTIONS

- Gas and Dust Atmospheres: Units are listed to cover the applications for both hazardous gases and vapors, as well as requirements for dust particles.
- Wet Locations: All unit sizes available with iridite coated elements and powder-coated frames for NEMA 3 wet locations.
- Stainless Steel cabinet construction

**ELECTRICAL:** Units are available in a wide selection of wattages from 500w-9,500w, single and three phase, and from 120v-600v.

**MOUNTING:** Cabinet should be mounted at least 6 inches (152 mm) above the floor. Factory-furnished wall brackets make installation easy.

**OPTIONAL BUILT-IN CONTROLS:** The following factory installed packages and prewired control options are available: adjustable built-in thermostat, remote thermostat, and transformer and contactor bundles.

\*QMark reserves the right to change specifications without prior notice.

**EXPLOSION-PROOF CONVECTOR**

Class I, Divisions 1 & 2, Groups B, C & D | Class I, Zones 1 & 2 Groups IIB + H2 | Ignition Temperature Code T2A, 536° F

**Models & Specifications:**

ITEM INFORMATION CATALOG NO.	ELECTRICAL DATA				UNIT SIZE	OPTIONAL BUILT-ON CONTROLS		SHIP WT.**		
	VOLTS	PHASE	TOTAL AMPS	KW		CONTROLS ONLY	THERMOSTAT ONLY* OR THERMOSTAT WITH CONTROLS			
QX-254-F0310052B	120	1	4.2	0.5	1	—	1024754	13 lbs		
QX-254-F0310052C	208	1	2.4			—	1024754	13 lbs		
QX-254-F0310052J	240	1	2.1			—	1024754	13 lbs		
QX-254-F0310052N	277	1	1.8			—	1024754	13 lbs		
QX-254-F0310102B	120	1	8.3	1.0	1	—	1024754	13 lbs		
QX-254-F0310102C	208	1	4.8			—	1024754	13 lbs		
QX-254-F0310102J	240	1	4.2			—	1024754	13 lbs		
QX-254-F0310102N	277	1	3.6			—	1024754	13 lbs		
QX-254-F0320182B	120	1	15.0	1.8	2	Not Required	S2	13 lbs		
QX-254-F0320182C	208	1	8.7			Not Required	S2	27 lbs		
QX-254-F0320182J	240	1	7.5			Not Required	S2	27 lbs		
QX-254-F0320182N	277	1	6.5			Not Required	S2	27 lbs		
QX-254-F0320182I	347	1	5.2			B2	B3	27 lbs		
QX-254-F0320182U	480	3	2.2			B2	B3	27 lbs		
QX-254-F0320182Z	600	3	1.8			B2	B3	27 lbs		
QX-254-F0320252C	208	1	12.0			2.5	2	Not Required	S2	27 lbs
QX-254-F0320252D	208	3	6.9	B2	B3			27 lbs		
QX-254-F0320252J	240	1	10.4	Not Required	S2			27 lbs		
QX-254-F0320252N	277	1	9.0	Not Required	S2			27 lbs		
QX-254-F0320252I	347	1	7.2	B2	B3			27 lbs		
QX-254-F0320252U	480	3	3.0	B2	B3			27 lbs		
QX-254-F0320252Z	600	3	2.4	B2	B3			27 lbs		
QX-254-F0330362C	208	1	17.3	3.6	3			Not Required	S2	36 lbs
QX-254-F0330362D	208	3	10.0			B2	B3	36 lbs		
QX-254-F0330362J	240	1	15.0			Not Required	S2	36 lbs		
QX-254-F0330362N	277	1	13.0			Not Required	S2	36 lbs		
QX-254-F0330362I	347	1	10.4			B2	B3	36 lbs		
QX-254-F0330362U	480	3	4.3			B2	B3	36 lbs		
QX-254-F0330362Z	600	3	3.5			B2	B3	36 lbs		
QX-254-F0330442D	208	3	12.2			B2	B3	36 lbs		
QX-254-F0330442J	240	1	18.3	4.4	3	Not Required	S2	36 lbs		
QX-254-F0330442N	277	1	15.9			Not Required	S2	36 lbs		
QX-254-F0330442I	347	1	12.7			B2	B3	36 lbs		
QX-254-F0330442U	480	3	5.3			B2	B3	36 lbs		
QX-254-F0330442Z	600	3	4.3			B2	B3	36 lbs		
QX-254-F0340652D	208	3	18.0			B2	B3	60 lbs		
QX-254-F0340652J	240	3	27.1			B2	B3	60 lbs		
QX-254-F0340652N	277	1	23.5			B2	B3	60 lbs		
QX-254-F0340652I	347	1	18.7	B2	B3	60 lbs				
QX-254-F0340652U	480	3	7.8	B2	B3	60 lbs				
QX-254-F0340652Z	600	3	6.3	B2	B3	60 lbs				
QX-254-F0340752D	208	3	20.8	7.5	4	B2	B3	60 lbs		
QX-254-F0340752J	240	1	31.3			B2	B3	60 lbs		
QX-254-F0340752N	277	1	27.1			B2	B3	60 lbs		
QX-254-F0340752I	347	1	21.6			B2	B3	60 lbs		
QX-254-F0340752U	480	3	9.0			B2	B3	60 lbs		
QX-254-F0340752Z	600	3	7.2			B2	B3	60 lbs		
QX-254-F0340952D	208	3	26.4			9.5	4	B2	B3	60 lbs
QX-254-F0340952J	240	1	39.6					B2	B3	60 lbs
QX-254-F0340952N	277	1	34.3	B2	B3			60 lbs		
QX-254-F0340952I	347	1	27.4	B2	B3			60 lbs		
QX-254-F0340952U	480	3	11.4	B2	B3			60 lbs		
QX-254-F0340952Z	600	3	9.1	B2	B3			60 lbs		

Conectors are 60/50 Hz rated \*Thermostat only is load carrying or remote. \*\*Without controls.

Approvals: \_\_\_\_\_

**EXPLOSION-PROOF CONVECTOR**

Class I, Divisions 1 & 2, Groups C & D | Class I, Zones 1 & 2 Groups IIB | Ignition Temperature Code T2A, 536° F

**Models & Specifications:**

ITEM INFORMATION CATALOG NO.	ELECTRICAL DATA				UNIT SIZE	OPTIONAL BUILT-ON CONTROLS		SHIP WT.**		
	VOLTS	PHASE	TOTAL AMPS	KW		CONTROLS ONLY	THERMOSTAT ONLY* OR THERMOSTAT WITH CONTROLS			
QX-254-F0310053B	120	1	4.2	0.5	1	—	1007002	13 lbs		
QX-254-F0310053C	208	1	2.4			—	1007002	13 lbs		
QX-254-F0310053J	240	1	2.1			—	1007002	13 lbs		
QX-254-F0310053N	277	1	1.8			—	1007002	13 lbs		
QX-254-F0310103B	120	1	8.3	1.0	1	—	1007002	13 lbs		
QX-254-F0310103C	208	1	4.8			—	1007002	13 lbs		
QX-254-F0310103J	240	1	4.2			—	1007002	13 lbs		
QX-254-F0310103N	277	1	3.6			—	1007002	13 lbs		
QX-254-F0320183B	120	1	15.0	1.8	2	Not Required	S1	27 lbs		
QX-254-F0320183C	208	1	8.7			Not Required	S1	27 lbs		
QX-254-F0320183J	240	1	7.5			Not Required	S1	27 lbs		
QX-254-F0320183N	277	1	6.5			Not Required	S1	27 lbs		
QX-254-F0320183I	347	1	5.2			B2	B2S1	27 lbs		
QX-254-F0320183U	480	3	2.2			B2	B2S1	27 lbs		
QX-254-F0320183Z	600	3	1.8			B2	B2S1	27 lbs		
QX-254-F0320253C	208	1	12.0			Not Required	S1	27 lbs		
QX-254-F0320253D	208	3	6.9	B2	B2S1	27 lbs				
QX-254-F0320253J	240	1	10.4	Not Required	S1	27 lbs				
QX-254-F0320253N	277	1	9.0	Not Required	S1	27 lbs				
QX-254-F0320253I	347	1	7.2	B2	B2S1	27 lbs				
QX-254-F0320253U	480	3	3.0	B2	B2S1	27 lbs				
QX-254-F0320253Z	600	3	2.4	B2	B2S1	27 lbs				
QX-254-F0330363C	208	1	17.3	3.6	3	Not Required	S1	36 lbs		
QX-254-F0330363D	208	3	10.0			B2	B2S1	36 lbs		
QX-254-F0330363J	240	1	15.0			Not Required	S1	36 lbs		
QX-254-F0330363N	277	1	13.0			Not Required	S1	36 lbs		
QX-254-F0330363I	347	1	10.4			B3	B3S1	36 lbs		
QX-254-F0330363U	480	3	4.3			B2	B2S1	36 lbs		
QX-254-F0330363Z	600	3	3.5			B2	B2S1	36 lbs		
QX-254-F0330443D	208	3	12.2			B2	B2S1	36 lbs		
QX-254-F0330443J	240	1	18.3	Not Required	S1	36 lbs				
QX-254-F0330443N	277	1	15.9	Not Required	S1	36 lbs				
QX-254-F0330443I	347	1	12.7	B2	B3S1	36 lbs				
QX-254-F0330443U	480	3	5.3	B2	B2S1	36 lbs				
QX-254-F0330443Z	600	3	4.3	B2	B2S1	36 lbs				
QX-254-F0340653D	208	3	18.0	6.5	4	B2	B2S1	60 lbs		
QX-254-F0340653J	240	1	27.1			B2	B2S1	60 lbs		
QX-254-F0340653N	277	1	23.5			B2	B2S1	60 lbs		
QX-254-F0340653I	347	1	18.7			B2	B2S1	60 lbs		
QX-254-F0340653U	480	3	7.8			B2	B2S1	60 lbs		
QX-254-F0340653Z	600	3	6.3			B2	B2S1	60 lbs		
QX-254-F0340753D	208	3	20.8			B2	B2S1	60 lbs		
QX-254-F0340753J	240	1	31.3			B2	B2S1	60 lbs		
QX-254-F0340753N	277	1	27.1	7.5	4	B2	B2S1	60 lbs		
QX-254-F0340753I	347	1	21.6			B2	B2S1	60 lbs		
QX-254-F0340753U	480	3	9.0			B2	B2S1	60 lbs		
QX-254-F0340753Z	600	3	7.2			B2	B2S1	60 lbs		
QX-254-F0340953D	208	3	26.4			9.5	4	B2	B2S1	60 lbs
QX-254-F0340953J	240	1	39.6					B2	B2S1	60 lbs
QX-254-F0340953N	277	1	34.3	B2	B2S1			60 lbs		
QX-254-F0340953I	347	1	27.4	B2	B2S1			60 lbs		
QX-254-F0340953U	480	3	11.4	B2	B2S1			60 lbs		
QX-254-F0340953Z	600	3	9.1	B2	B2S1			60 lbs		

Convectors are 60/50 Hz rated \*Thermostat only is load carrying or remote. \*\*Without controls.

Approvals: \_\_\_\_\_

**EXPLOSION-PROOF CONVECTOR**

Class I, Divisions 1 & 2, Groups B, C & D | Class I, Zones 1 & 2 Groups IIB + H2 | Ignition Temperature Code T3A, 356° F

**Models & Specifications:**

ITEM INFORMATION CATALOG NO.	ELECTRICAL DATA				UNIT SIZE	OPTIONAL BUILT-ON CONTROLS		SHIP WT.**
	VOLTS	PHASE	TOTAL AMPS	KW		CONTROLS ONLY	THERMOSTAT ONLY* OR THERMOSTAT WITH CONTROLS	
QX-254-F0610052B	120	1	4.2	0.5	1	—	1024754	13 lbs
QX-254-F0610052C	208	1	2.4			—	1024754	13 lbs
QX-254-F0610052J	240	1	2.1			—	1024754	13 lbs
QX-254-F0610052N	277	1	1.8			—	1024754	13 lbs
QX-254-F0620142B	120	1	11.7	1.4	2	Not Required	S2	27 lbs
QX-254-F0620142C	208	1	6.7			Not Required	S2	27 lbs
QX-254-F0620142J	240	1	5.8			Not Required	S2	27 lbs
QX-254-F0620142N	277	1	5.1			Not Required	S2	27 lbs
QX-254-F0620142I	347	1	4.0			B2	B3	27 lbs
QX-254-F0630232B	120	1	19.2	2.3	3	Not Required	S2	36 lbs
QX-254-F0630232C	208	1	11.1			Not Required	S2	36 lbs
QX-254-F0630232D	208	3	6.4			B2	B3	36 lbs
QX-254-F0630232J	240	1	9.6			Not Required	S2	36 lbs
QX-254-F0630232N	277	1	8.3			Not Required	S2	36 lbs
QX-254-F0630232I	347	1	6.6			B2	B3	36 lbs
QX-254-F0630232U	480	3	2.8			B2	B3	36 lbs
QX-254-F0630232Z	600	3	2.2			B2	B3	36 lbs
QX-254-F0640322C	208	1	15.4	3.2	4	Not Required	S2	60 lbs
QX-254-F0640322D	208	3	8.9			B2	B3	60 lbs
QX-254-F0640322J	240	1	13.3			Not Required	S2	60 lbs
QX-254-F0640322N	277	1	11.6			Not Required	S2	60 lbs
QX-254-F0640322I	347	1	9.2			B2	B3	60 lbs
QX-254-F0640322U	480	3	3.8			B2	B3	60 lbs
QX-254-F0640322Z	600	3	3.1			B2	B3	60 lbs
QX-254-F0640502D	208	3	13.9	5.0	4	B2	B3	60 lbs
QX-254-F0640502J	240	1	20.8			Not Required	S2	60 lbs
QX-254-F0640502N	277	1	18.1			Not Required	S2	60 lbs
QX-254-F0640502I	347	1	14.4			B2	B3	60 lbs
QX-254-F0640502U	480	3	6.0			B2	B3	60 lbs
QX-254-F0640502Z	600	3	4.8			B2	B3	60 lbs

Convectors are 60/50 Hz rated \*Thermostat only is load carrying or remote. \*\*Without controls.

Approvals: \_\_\_\_\_

**EXPLOSION-PROOF CONVECTOR**

Class I, Divisions 1 & 2, Groups C & D | Class I, Zones 1 & 2 Groups IIB | Ignition Temperature Code T3A, 356° F

**Models & Specifications:**

ITEM INFORMATION CATALOG NO.	ELECTRICAL DATA				UNIT SIZE	OPTIONAL BUILT-ON CONTROLS		SHIP WT.**
	VOLTS	PHASE	TOTAL AMPS	KW		CONTROLS ONLY	THERMOSTAT ONLY* OR THERMOSTAT WITH CONTROLS	
QX-254-F0610053B	120	1	4.2	0.5	1	—	1007002	13 lbs
QX-254-F0610053C	208	1	2.4			—	1007002	13 lbs
QX-254-F0610053J	240	1	2.1			—	1007002	13 lbs
QX-254-F0610053N	277	1	1.8			—	1007002	13 lbs
QX-254-F0620143B	120	1	11.7	1.4	2	Not Required	S1	27 lbs
QX-254-F0620143C	208	1	6.7			Not Required	S1	27 lbs
QX-254-F0620143J	240	1	5.8			Not Required	S1	27 lbs
QX-254-F0620143N	277	1	5.1			Not Required	S1	27 lbs
QX-254-F0620143I	347	1	4.0			B2	B2S1	27 lbs
QX-254-F0630233B	120	1	19.2	2.3	3	Not Required	S1	36 lbs
QX-254-F0630233C	208	1	11.1			Not Required	S1	36 lbs
QX-254-F0630233D	208	3	6.4			B2	B2S1	36 lbs
QX-254-F0630233J	240	1	9.6			Not Required	S1	36 lbs
QX-254-F0630233N	277	1	8.3			Not Required	S1	36 lbs
QX-254-F0630233I	347	1	6.6			B2	B2S1	36 lbs
QX-254-F0630233U	480	3	2.8			B2	B2S1	36 lbs
QX-254-F0630233Z	600	3	2.2			B2	B2S1	36 lbs
QX-254-F0640323C	208	1	15.4	3.2	4	Not Required	S1	60 lbs
QX-254-F0640323D	208	3	8.9			B2	B2S1	60 lbs
QX-254-F0640323J	240	1	13.3			Not Required	S1	60 lbs
QX-254-F0640323N	277	1	11.6			Not Required	S1	60 lbs
QX-254-F0640323I	347	1	9.2			B2	B2S1	60 lbs
QX-254-F0640323U	480	3	3.8			B2	B2S1	60 lbs
QX-254-F0640323Z	600	3	3.1			B2	B2S1	60 lbs
QX-254-F0640503D	208	3	13.9	5.0	4	B2	B2S1	60 lbs
QX-254-F0640503J	240	1	20.8			Not Required	S1	60 lbs
QX-254-F0640503N	277	1	18.1			Not Required	S1	60 lbs
QX-254-F0640503I	347	1	14.4			B2	B2S1	60 lbs
QX-254-F0640503U	480	3	6.0			B2	B2S1	60 lbs
QX-254-F0640503Z	600	3	4.8			B2	B2S1	60 lbs

Conectors are 60/50 Hz rated \*Thermostat only is load carrying or remote. \*\*Without controls.

Approvals: \_\_\_\_\_

**EXPLOSION-PROOF CONVECTOR**

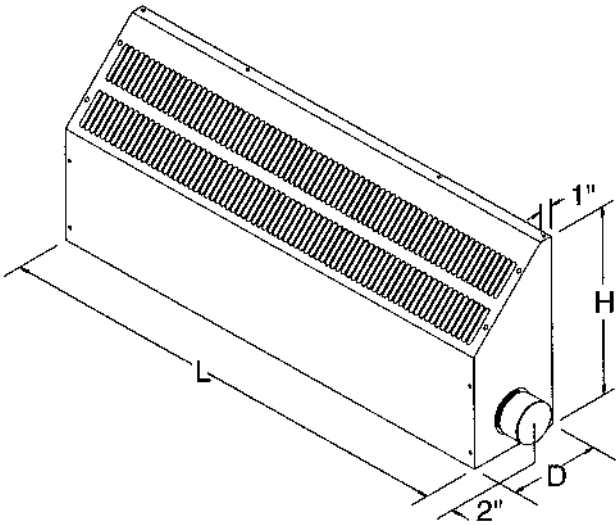
Class I, Divisions 1 & 2, Groups B, C & D | Class II, Divisions 1 & 2, Groups E, F & G | Ignition Temperature Code T3C, 320° F

**Models & Specifications:**

ITEM INFORMATION CATALOG NO.	ELECTRICAL DATA				UNIT SIZE	OPTIONAL BUILT-ON CONTROLS		SHIP WT.**
	VOLTS	PHASE	TOTAL AMPS	KW		CONTROLS ONLY	THERMOSTAT ONLY* OR THERMOSTAT WITH CONTROLS	
QX-254-F0810054B	120	1	4.2	0.5	1	—	1007002	13 lbs
QX-254-F0810054C	208	1	2.4			—	1007002	13 lbs
QX-254-F0810054J	240	1	2.1			—	1007002	13 lbs
QX-254-F0810054N	277	1	1.8			—	1007002	13 lbs
QX-254-F0820104B	120	1	8.3	1.0	2	Not Required	S1	27 lbs
QX-254-F0820104C	208	1	4.8			Not Required	S1	27 lbs
QX-254-F0820104J	240	1	4.2			Not Required	S1	27 lbs
QX-254-F0820104N	277	1	3.6			Not Required	S1	27 lbs
QX-254-F0820104I	347	1	2.9	1.7	3	B2	B2S1	27 lbs
QX-254-F0830174B	120	1	14.2			Not Required	S1	36 lbs
QX-254-F0830174C	208	1	8.2			Not Required	S1	36 lbs
QX-254-F0830174D	208	3	4.7			B2	B2S1	36 lbs
QX-254-F0830174J	240	1	7.1			Not Required	S1	36 lbs
QX-254-F0830174N	277	1	6.1			Not Required	S1	36 lbs
QX-254-F0830174I	347	1	4.9			B2	B2S1	36 lbs
QX-254-F0830174U	480	3	2			B2	B2S1	36 lbs
QX-254-F0830174Z	600	3	1.6	B2	B2S1	36 lbs		
QX-254-F0840324C	208	1	15.4	3.2	4	Not Required	S1	36 lbs
QX-254-F0840324D	208	3	8.9			B2	B2S1	60 lbs
QX-254-F0840324J	240	1	13.3			Not Required	S1	60 lbs
QX-254-F0840324N	277	1	11.6			Not Required	S1	60 lbs
QX-254-F0840324I	347	1	9.2			B2	B2S1	60 lbs
QX-254-F0840324U	480	3	3.8			B2	B2S1	60 lbs
QX-254-F0840324Z	600	3	3.1			B2	B2S1	60 lbs

Convector are 60/50 Hz rated \*Thermostat only is load carrying or remote. \*\*Without controls.

**Dimensions and Clearances:**



SIZE	L	H	D
1	26"	6"	4 ½"
2	26"	16"	8"
3	39"	16"	8"
4	67 ½"	16"	8"

Approvals: \_\_\_\_\_

**Electrical Package Options:**

All single-phase heaters rated over 22 amps or 277 volts and all three-phase heaters require a magnetic contactor. Some electrical combinations will also require a control transformer. To simplify field installation, these accessories are factory-mounted on the heater cabinet and factory pre-wired (not available on Size 1 convectors).

CATALOG NO.	OPTION	DESCRIPTION
B2	Electric Control Option* (without thermostat)	Classes I and II, Groups B, C, E, D, F and G includes contactor and transformer (as required). Required for all three-phase and singlephase heaters over 22 amps or 277 volts
B2S1	Thermostat & Controls*	Classes I and II, Groups C, D, E, F and G includes thermostat, contactor and transformer (as required).
B3	Thermostat & Controls (Group B)*	Classes I and II, Groups B, C, D, E, F and G includes thermostat, contactor and transformer (as required). Thermostat has internal set point.
S1	Thermostat Only*	Classes I and II, Groups C, D, E, F and G single-phase heaters rated up to 22 amps at 120-277 volts. Use remote room thermostat Catalog Number 1007002 for Size 1 convectors.
S2	Thermostat Only (Group B)*	Classes I and II, Groups B, C, D, E, F and G single-phase heaters rated up to 22 amps at 120-277 volts. Thermostat has internal set point. Use remote room thermostat Catalog Number 1024754 for Size 1 convectors.

\*Not available on Size 1 Convectors.

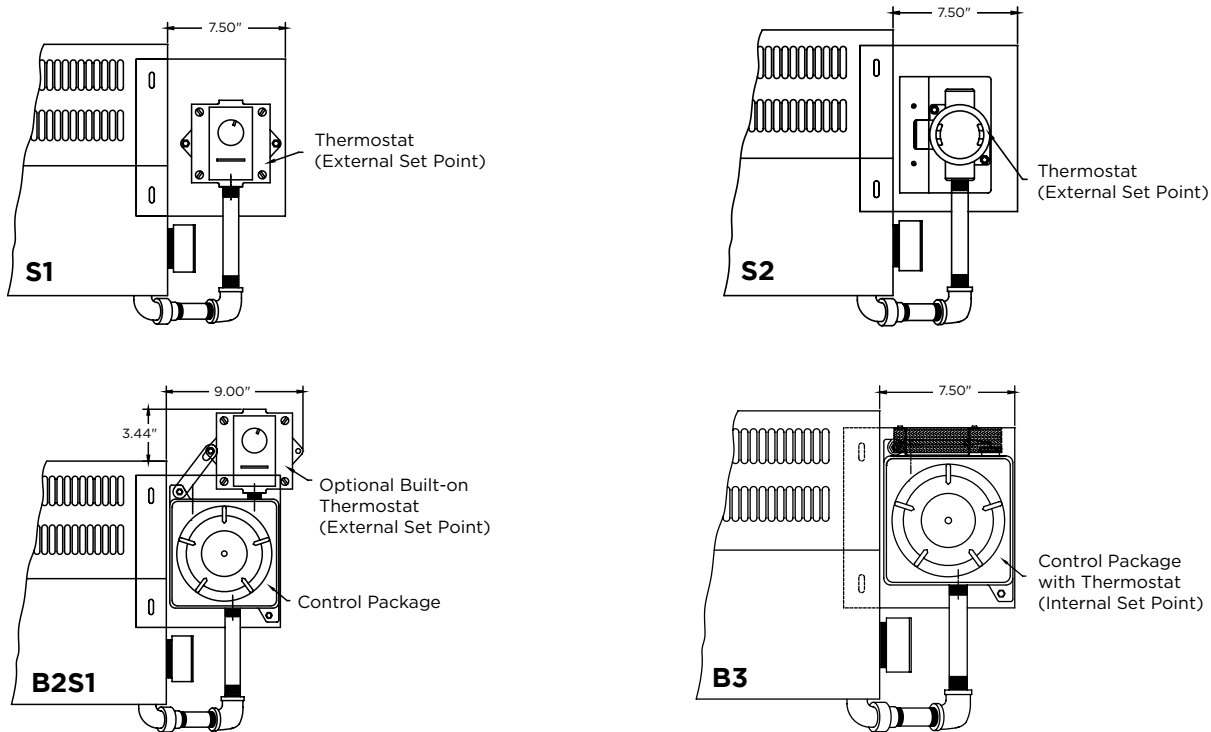
**Custom Options:**

CATALOG NO.	OPTION	DESCRIPTION
C1	Wet Locations	Type 3 rated construction. Includes Iridite coated element assembly and gasketed terminal box. Not available with options B2/S1, S1, or S2.
C2	Corrosive-Resistant Stainless Steel Construction	Type 3 rated construction with addition of stainless steel cabinet. Includes Iridite coated element assembly and gasketed terminal box. Not available with options B2/S1, S1, or S2. ONLY the cabinet is upgraded to stainless steel.

**Accessory Remote Thermostats:**

CATALOG NO.	SWITCH TYPE	TYPE	RATING	TEMP RANGE	DESCRIPTION
1007002	Bimetal	SPDT	125-277V, 22A	50°-90°F (10°-32°C)	Class 1, Div. 1, Groups C & D Class II, Div. 1, Groups E, F, & G
1024754	Bulb and Capillary with Internal Set Point Adjustment	SPDT	120-240V, 25A 277V, 22A	40°-120°F (5°-49°C)	Class 1, Div. 1, Groups B, C & D Class II, Div. 1, Groups E, F, & G
1025396		SPST			Corrosion-Resistant Class 1, Div. 1, Groups B, C, & D Class II, Div. 1, Groups E, F & G

**Thermostat Options:**



**S1 & B2S1**, rated for Class I, Groups C & D | Class II, Groups E, F, & G

**S2 & B3**, rated for Class I, Groups B, C & D | Class II, Groups E, F, & G



# EXPLOSION-PROOF CONVECTOR

## How to Order

Example:

**QX - 254 - F 03 1 025 2 U - B2S1**

Brand: **QX**

Series: **254** = Convection Heat, Explosion Proof

Agency Approval: **F** = cCSAus Approval (standard), **N** = No Approval

NEC Temperature Rating: **02** = T2: 572°F/300°C, **03** = T2A: 536°F/280°C, **04** = T2B: 500°F/260°C, **05** = T2C: 446°F/230°C, **06** = T3A: 356°F/180°C, **07** = T3: 392°F/200°C, **08** = T3C: 320°F/160°C, **09** = T3B: 329°F/165°C, **00** = Non-Hazardous

Cabinet Size: **1** = 1 Element (6" x 26" x 4 1/2"), **2** = 2 Element (16" x 26" x 8"), **3** = 2 Element (16" x 39.5" x 8"), **4** = 2 Element (16" x 67 1/2" x 8")

kW\*: **005, 010, 014, 017, 018, 023, 025, 032, 036, 044, 050, 065, 075, 095**

Location Rating: **1** = Class 1, Group D; **2** = Class 1, Groups B, C, D; **3** = Class 1, Groups C, D; **4** = Class 2, Groups E, F, G; **5** = Class 1, Group B; **6** = Class 1, Group C; **10** = Non-Hazardous

Factory Install Options:  
**B2\*\*\*** = Electric Control Option (without thermostat),  
**B2S1\*\*\*** = Thermostat & Controls, **B3\*\*\*** = Thermostat & Controls (Group B), **S1\*\*\*** = Thermostat Only, **S2\*\*\*** = Thermostat Only (Group B), **C1** = Wet Locations, **C2** = Corrosive-Resistant Stainless Steel Construction

Voltage & Phase:

**Standard Offering**

**B** = 120/1, **C** = 208/1, **D** = 208/3, **J** = 240/1, **K** = 240/3, **N** = 277/1, **T** = 480/1, **U** = 480/3.

**Additional/Special Offering**

**A** = 115/1, **E** = 220/1, **F** = 220/3, **G** = 230/1, **H** = 230/3, **I** = 347/1, **L** = 254/1, **M** = 266/1, **O\*\*** = Special, **P** = 440/1, **Q** = 440/3, **R** = 460/1, **S** = 460/3, **V** = 208/240/1, **W** = 575/1, **X** = 575/3, **Y** = 600/1, **Z** = 600/3

\*From 0.1-99.9 kW, rounded to the nearest 1/10 kW. Varies by Temperature and Class Rating.

\*\*For custom requests, contact Marley sales representative for assistance and additional detail

\*\*\*Not available on Size 1 Convector.

Contact Marley Sales Representative for additional configuration details

No matter the industry or application, Marley Engineered Products has a robust portfolio of innovative, reliable, high-performance comfort heating and ventilation solutions for all your heating needs.

For more information or assistance on your next project, contact Technical Services at 800-642-4328

Scan the QR code to access additional specs and features



Approvals: \_\_\_\_\_