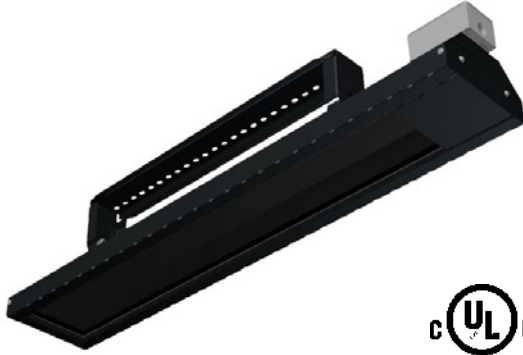




470 Beauty Spot Rd. E  
Bennettsville, SC 29512

# SUBMITTAL SHEET THERMAZONE THIN SERIES INDUSTRIAL/COMMERCIAL/ RESIDENTIAL INFRARED HEATER



CAPACITIES
<p><b>Element Type:</b> Flat Panel Emitter  <b>Reflection Angles:</b> 60° Symmetrical  <b>Mounting Types:</b> Brackets included for ceiling mount and wall mount. Can also be hung by chain or threaded rod.</p>

See Selection Chart for all Options

JOB NAME: \_\_\_\_\_

LOCATION: \_\_\_\_\_

ARCHITECT: \_\_\_\_\_

ENGINEER: \_\_\_\_\_

CONTRACTOR: \_\_\_\_\_

SUBMITTED BY: \_\_\_\_\_ DATE: \_\_\_\_\_

TAG/ITEM	QTY.	CATALOG NUMBER	HEATER			AMPS	REFLECTION ANGLE	FINISH	MOUNTING
			KW	VOLTS	Ø				

ACCESSORIES AND CONTROLS	TAG/ITEM	QTY.	CATALOG NUMBER	DESCRIPTION	

SUBMITTED BY:	DATE

APPROVED BY:	DATE

THERMAZONE THIN SERIES - INDUSTRIAL/COMMERCIAL/RESIDENTIAL INFRARED HEATER

# THERMAZONE THIN SERIES ARCHITECT'S AND ENGINEER'S SPECIFICATIONS\*

The electric infrared heater shall be ThermazoneThin as manufactured by BBC Industries, Pacific, MO. The construction and design shall permit it to be ceiling or wall mounted, with the use of the mounting brackets supplied, or chain hung according to supplied instructions. Heaters shall include the features listed below.

**HEATING ASSEMBLY:** The heating assembly shall be cULus listed under standard 2021 and shall consist of single stranded, non-coiled Ni-Chrome wire embedded in vitrified ceramic fiber and backed with high density, low biopersistent Fiberfrax insulation. The emitting surface is covered with a black-coated high temperature fiberglass cloth.

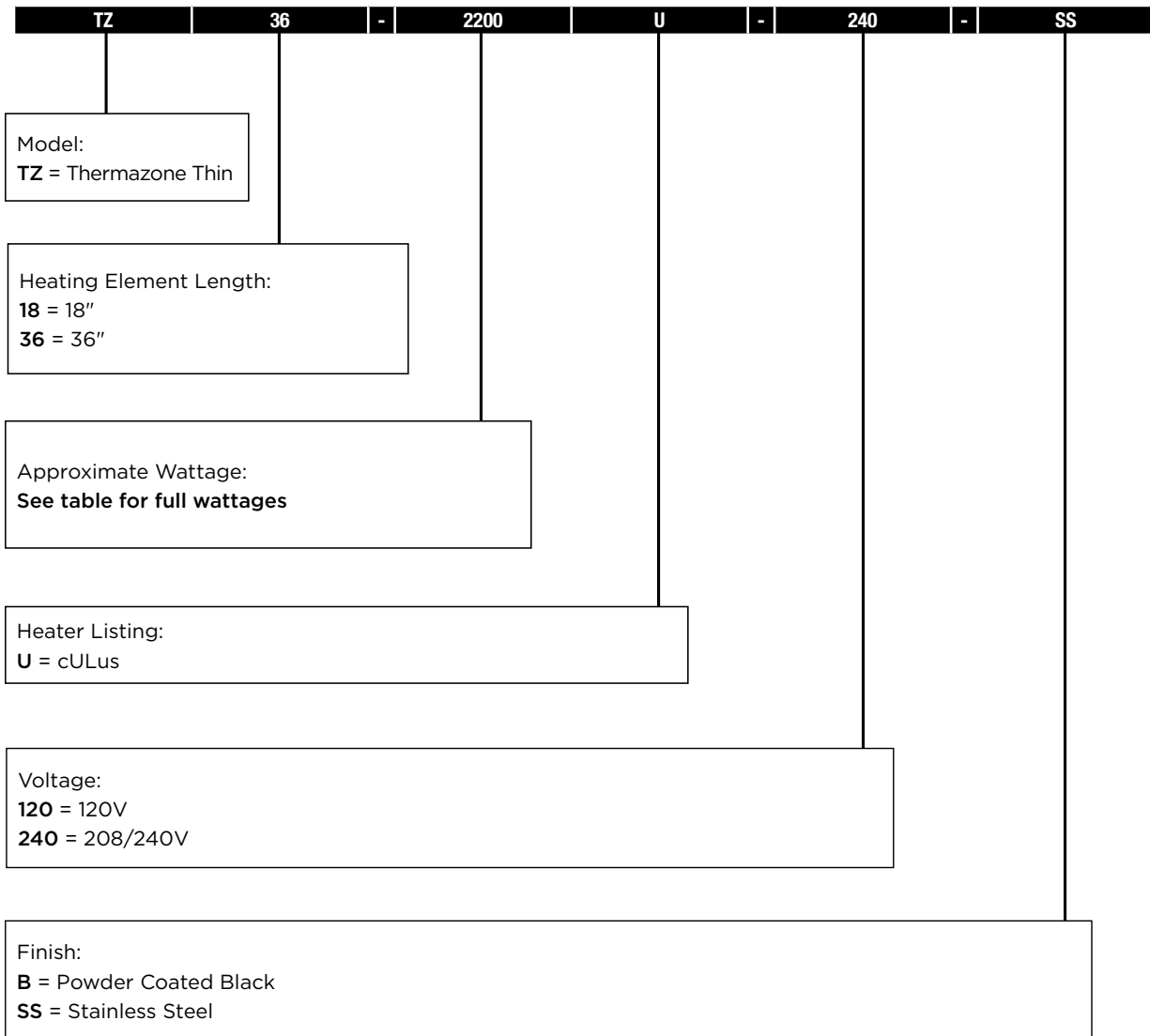
**WIRING:** For connection to the power supply, Thermazone heaters will include an indoor/outdoor rate j-box mounted to the heater's raceway.

**CONSTRUCTION:** The heaters are formed and fastened together out of 16 ga. and 20 ga. CRS or stainless steel. If CRS, the heater must be powder coated with a high temp black finish. Unit may include a Stainless Steel grid on the face of the heater.

*\*QMark reserves the right to change specifications without prior notice.*

## How to Order

Example:



**Models & Specifications:**

ITEM INFORMATION		ELECTRICAL DATA			
CATALOG NO.	MODEL	WATTS	PHASE	VOLTS	AMPS
QR-STT-U18-1091B	18"	1091	1	120	9.1
QR-STT-U18-1330B	18"	1330	1	120	11.1
QR-STT-U18-1767B	18"	1767	1	120	14.8
QR-STT-U18-2161B	18"	2161	1	120	18.0
QR-STT-U36-2180V	36"	2180/1635	1	208	6.8
				240	9.1
QR-STT-U36-2660V	36"	2660/1998	1	208	7.9
				240	11.1
QR-STT-U36-3104V	36"	3104/2331	1	208	11.2
				240	12.9
QR-STT-U36-3534V	36"	3534/2665	1	208	12.8
				240	14.8
QR-STT-U36-4322V	36"	4322/3246	1	208	15.6
				240	18.0

**Optional Accessories:**

CATALOG NO.	DESCRIPTION	COMPATIBLE WITH
03-104	12" x 24" SS Grid	All 12" x 24" Heaters
		All 1P 12" x 48" Heaters*
03-105	12" x 12" SS Grid	All 12" x 12" Heaters
03-106	12" x 16" SS Grid	All 3P 12" x 48" Heaters**

\* Requires quantity of 2. \*\* Requires quantity of 3.

**Optional Local Controls:**

CATALOG NO.	DESCRIPTION	SUPPLY VOLTAGE	PHASE	AMP RATING	SUITABLE WITH		
					CONTACTOR PANEL	STAND ALONE	SSR PANEL
TZ-REM-PT	Fixed Cycle Controller w/ Adjustable Output	120/24	1	NA	—	—	Yes
TZ-PCT	Adjustable Cycle Controller w/ Adjustable Output	120/240	1	28	Yes	Yes	Yes
TZ-TIMER	0-60 Min Heavy Duty In-Wall On/Off Timer	120/240	1	28	Yes	Yes	Yes
TZ-TIMER2HR	0-120 Min Heavy Duty In-Wall On/Off Timer	120/240	1	20	Yes	Yes	Yes
TZ-HUB	App Based Z-Wave Wireless Connection Hub	120	1	NA	Yes	Yes	Yes
TZ-SWITCH	App Based Z-Wave Wireless Junction Box	120/240	1	40	Yes	Yes	Yes

Optional controls suitable for isolated control of your heater(s), or to be paired with QMark's line of control panels to operate banks of heaters together. Options range from adjustable output cycle timers with fixed and adjustable cycle times, to standard on/off timer control, and introducing market leading Z-Wave app based control for easy operation from your phone.

Approvals: \_\_\_\_\_

**THERMAZONE THIN SERIES**

**Dimensions — ThermaZone Thin:**

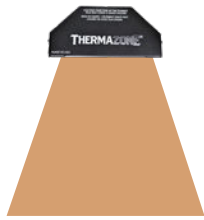
Model	A	B	C*	D
18"	3 3/4"	24"	9"	8"
36"	3 3/4"	42"	9"	8"

\*If using attached bracket

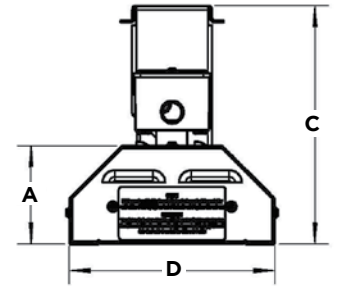
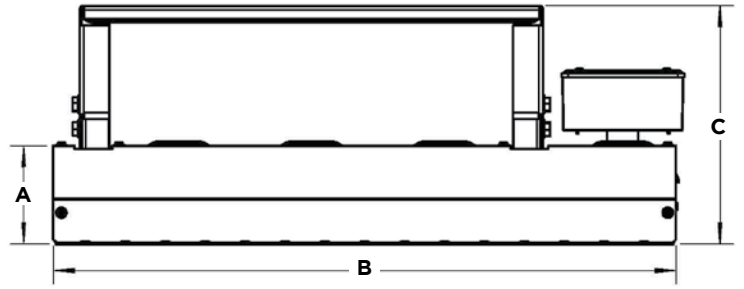
**Clearances — ThermaZone Thin:**

	Between Heaters	To Side Walls	To Ceiling
Wall Mounted	36"	7"	7"
Ceiling Mounted Vertical	36"	36"	4"
Ceiling Mounted Angled Away	36"	7"	7"
Ceiling Mounted Angled Toward	36"	72"	4"

**Reflection Angle:**



60° Symmetrical



**INSTALLATION:**

All wiring to this equipment must be connected to the electrical source in strict accordance with National Electrical Code (N. E. C.), Canadian Electrical Code (C.E.C.), international and/or any local codes having jurisdiction.

**FOR WALL MOUNTING:**

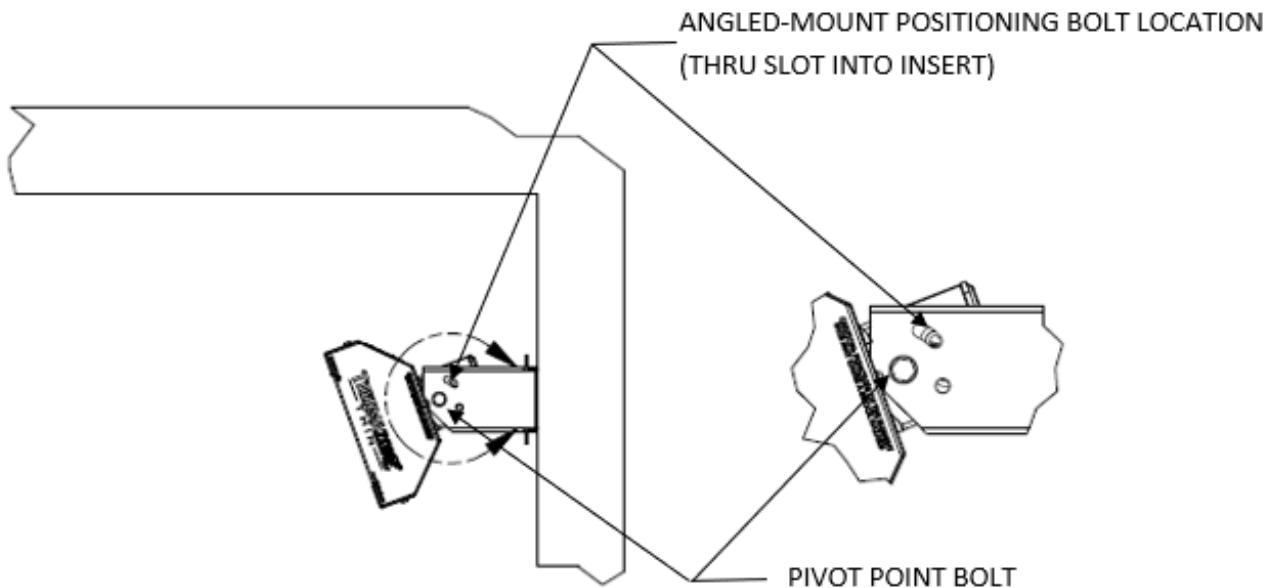
**⚠ Do not install the section closer than:**

- 6-7/8 inches below a horizontal surface
- 12 inches to an adjacent vertical surface
- 36 inches to another heater
- 6 feet from the floor

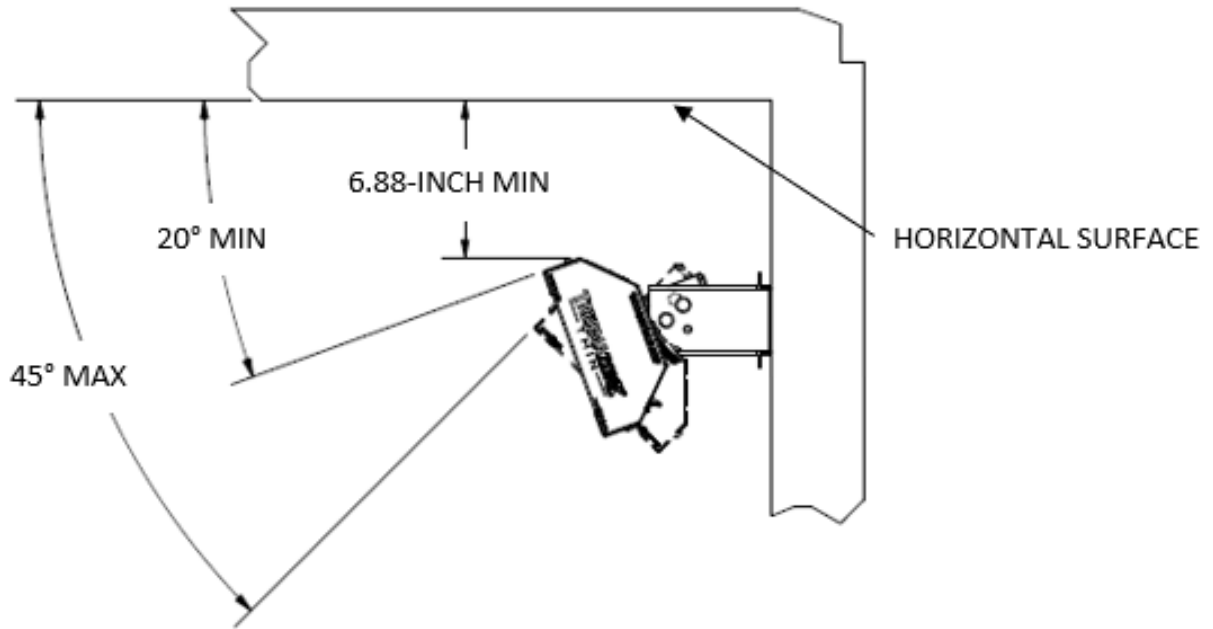
For angle positioning, the heater should not be directed toward any vertical surface closer than 6 feet.

The heater is to be mounted horizontally.

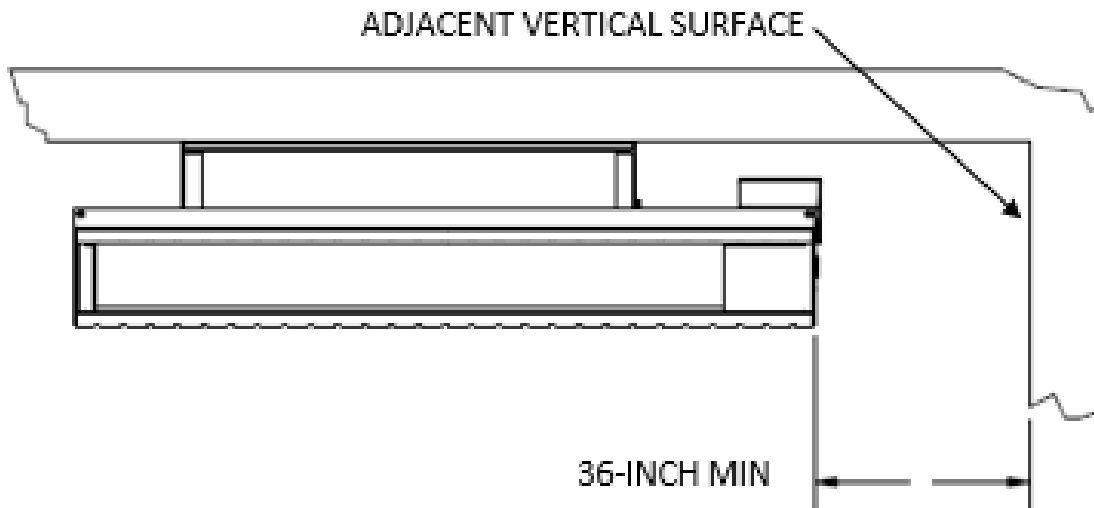
**IMPORTANT:** For Wall-Mounted heaters, insert the positioning bolts through the slots on both sides of the mounting bracket. **DO NOT USE** the ceiling mounting hole when mounting a heater on a wall.



**Fig. 1 – ANGLED POSITIONING FOR WALL MOUNTING**



**Fig. 2a – WALL MOUNTING**



**Fig. 2b – WALL MOUNTING**

Once the heater is mounted to the wall, position the heater to the desired angle between 20° and 45° downward from the horizontal, limited by the slot length. Tighten the two positioning bolts to secure the heater.

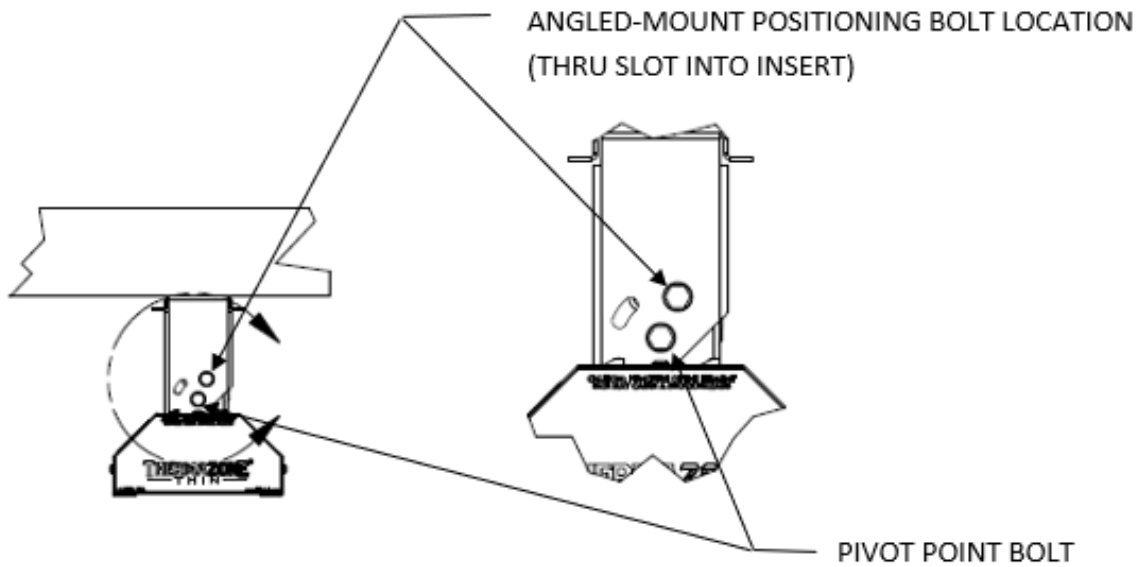
**WARNING!** Risk of fire. Do not position any heater at an angle not allowed by the slotted hole (20°-45°).

**FOR CEILING MOUNTING:**

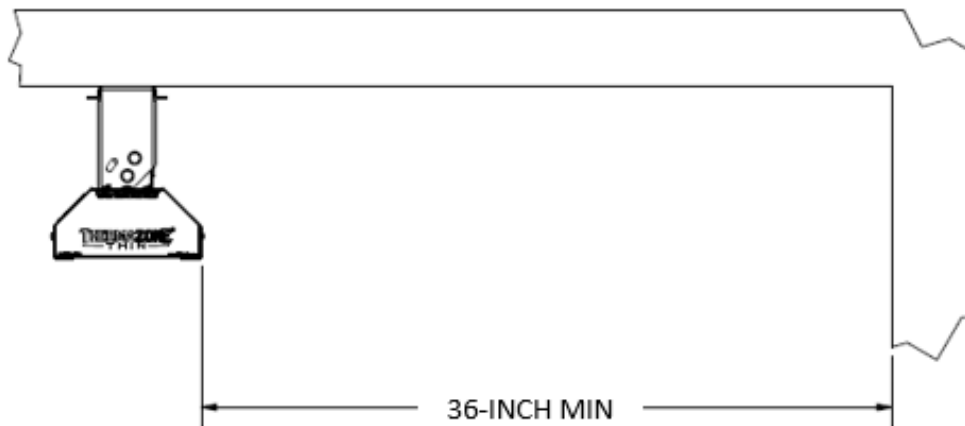
**⚠ Do not install the section closer than:**

- 36 inches to a vertical surface for vertical mounting
- 6-7/8 inches to a vertical surface for angled ceiling mounting
- 12 inches to an adjacent vertical surface
- 36 inches to another heater
- 6 feet from the floor

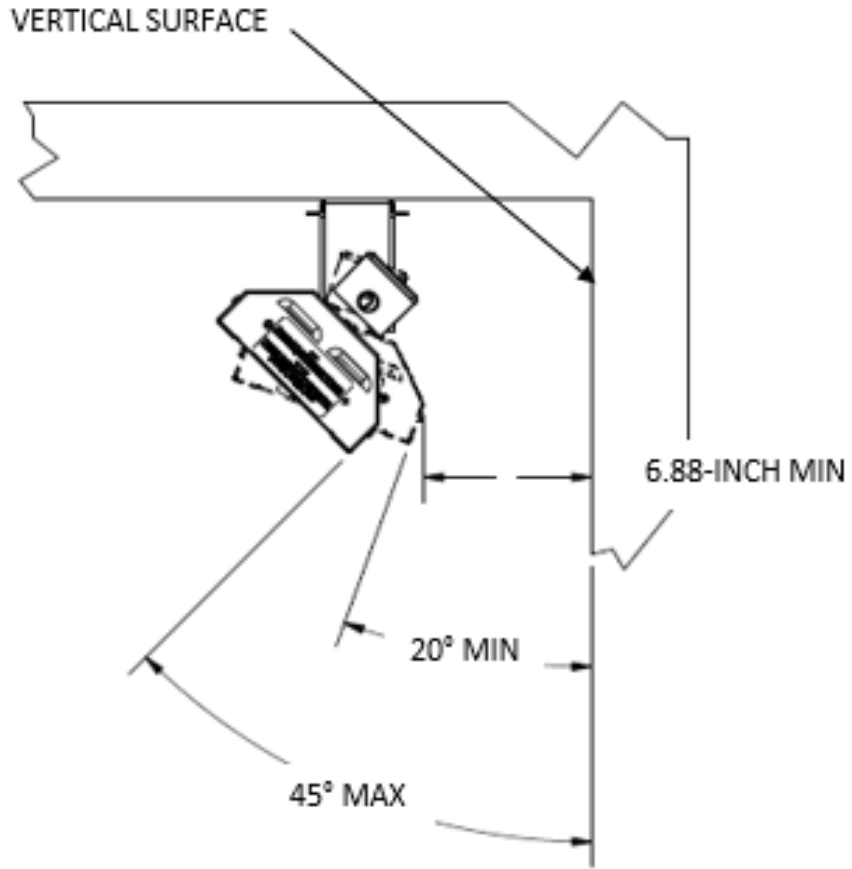
Ceiling mounted heaters can be mounted either through the Angled-Mount Positioning Bolt Location or the Ceiling-Mount Only Positioning Bolt Location.



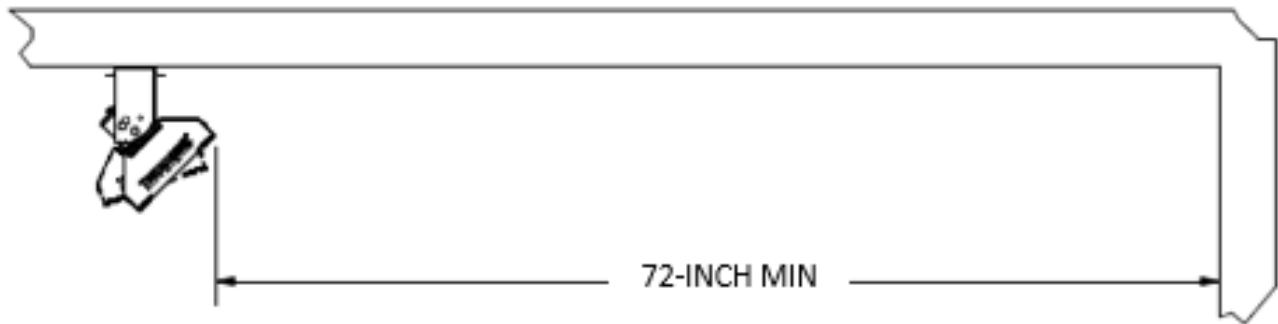
**Fig. 3 – CEILING ONLY VERTICAL MOUNTING POSITIONING**



**Fig. 4 – CEILING MOUNTING VERTICAL**



**Fig. 5 – CEILING MOUNTING ANGLED AWAY FROM VERTICAL SURFACE**



**Fig. 6 – CEILING MOUNTING ANGLED TOWARDS VERTICAL SURFACE**

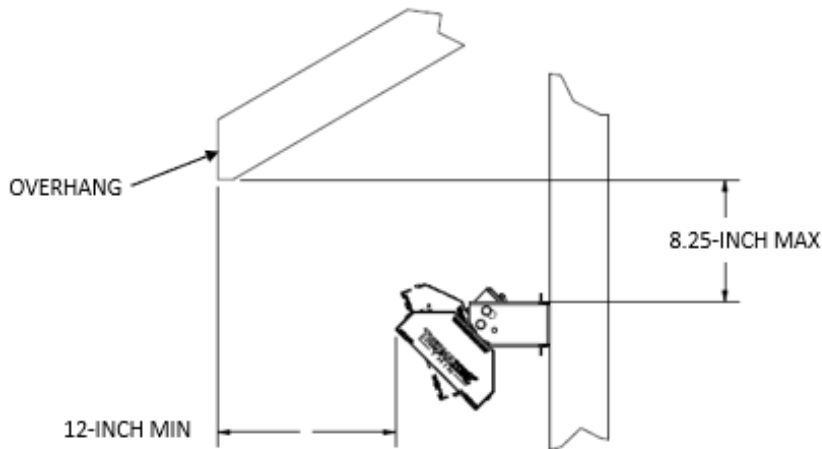


**FOR PROTECTED AREA MOUNTING:**

A Protected Area is defined as “Located in an area that is partially protected from the effects of weathering.” Typical protected areas would be the underside of a pavilion with a roof, garage port, and the like.

**FOR PROTECTED AREA WALL MOUNTING:**

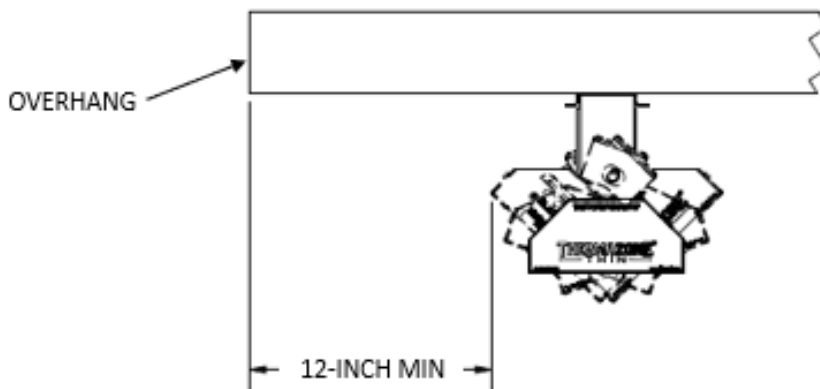
Adhere to all requirements for Wall Mounting listed above. Additionally:  
Do not install the section closer than 12 inches to edge of overhang of roof and no more than 8.25 inches (to top of bracket) below the edge.  
The heater needs to be installed in a position such that it is protected from rain, snow, and similar outdoor wet areas.



**Fig. 7 – PROTECTED AREA WALL MOUNTING**

**FOR PROTECTED AREA CEILING MOUNTING:**

Adhere to all requirements for Ceiling Mounting listed above. Additionally:  
Do not install the section closer than 12 inches to edge of overhang of roof.  
The heater needs to be installed in a position such that it is protected from rain, snow, and similar outdoor wet areas.



**Fig. 8 – PROTECTED AREA CEILING MOUNTING**

**THERMAZONE THIN SERIES**

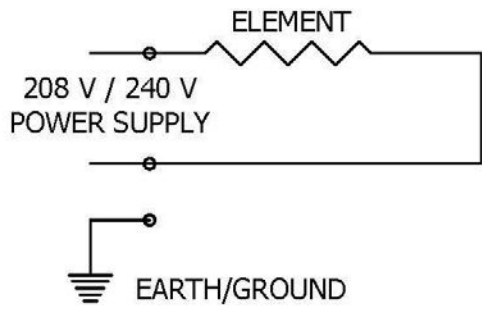
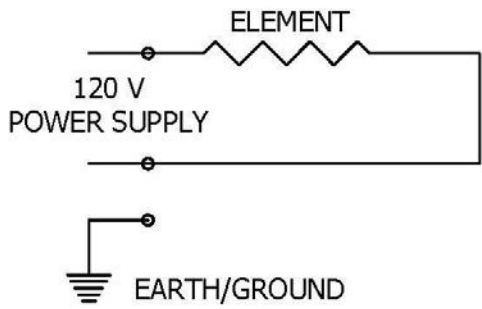
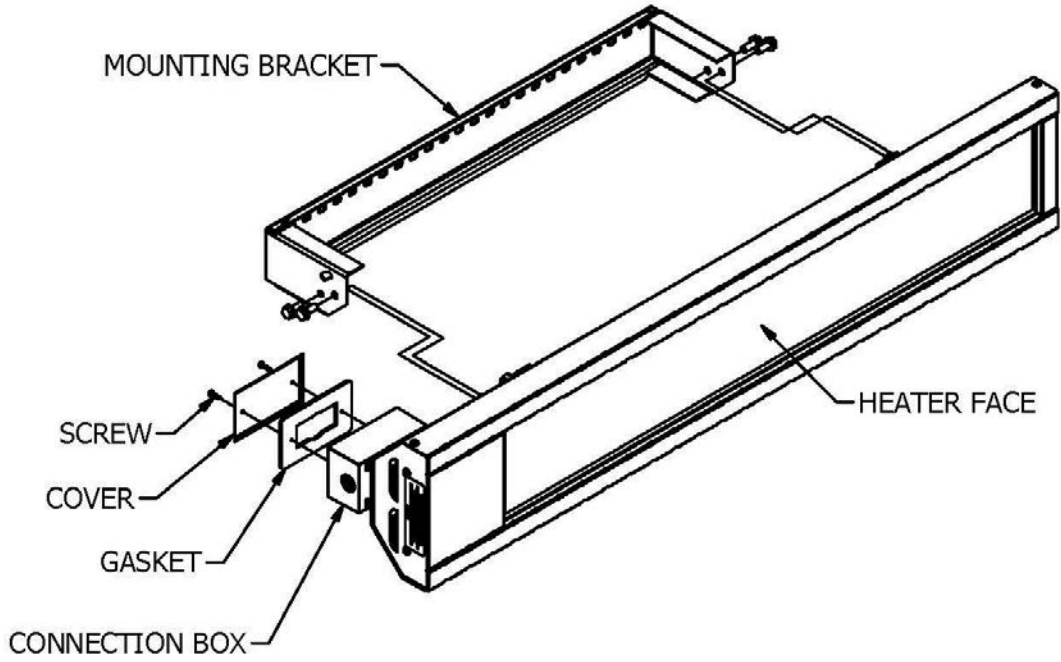
For supply connections, use the wire size (or larger) as directed by the chart below. All wires must be suitable for at least 90°C (194°F).

Model	Watts	120V	208V	240V
QTT-U18-1091B	1091	9.1	-	-
QTT-U18-1330B	1330	11.5	-	-
QTT-U18-1767B	1767	14.8	-	-
QTT-U18-2161B	2161	18.1	-	-
<b>QTT-U36-1091B</b>				
QTT-U36-1091B	2180/1635	-	6.8	9.1
QTT-U36-1091B	2660/2071	-	8.6	11.5
QTT-U36-1091B	3104/2328	-	9.7	12.9
QTT-U36-1091B	3534/2661	-	11.1	14.8
QTT-U36-1091B	4322/3242	-	15.6	18.1

To reduce the risk of fire, do not store or use gasoline or other flammable vapors and liquids in the vicinity of the heater.

**CAUTION** - High temperature, risk of fire, keep electrical cords, drapery, furnishings, and other combustibles at least 3 feet (0.9 m) from the front of the heater and away from the side and rear.

# WIRING DIAGRAM



No matter the industry or application, Marley Engineered Products has a robust portfolio of innovative, reliable, high-performance comfort heating and ventilation solutions for all your heating needs.

For more information or assistance on your next project, contact Technical Services at 800-642-4328

Scan the QR code to access additional specs and features



Approvals: \_\_\_\_\_