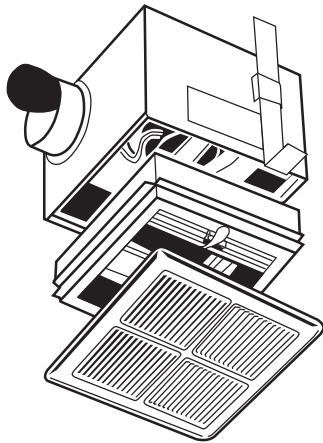


Models 650FRD, 680FRD, 610FRD



MODEL DESCRIPTION

Marley Engineered Products Ventilating Fan, with built-in Fire Radiation Damper, Offers the best protection against flame penetration and radiant heat.

FEATURES

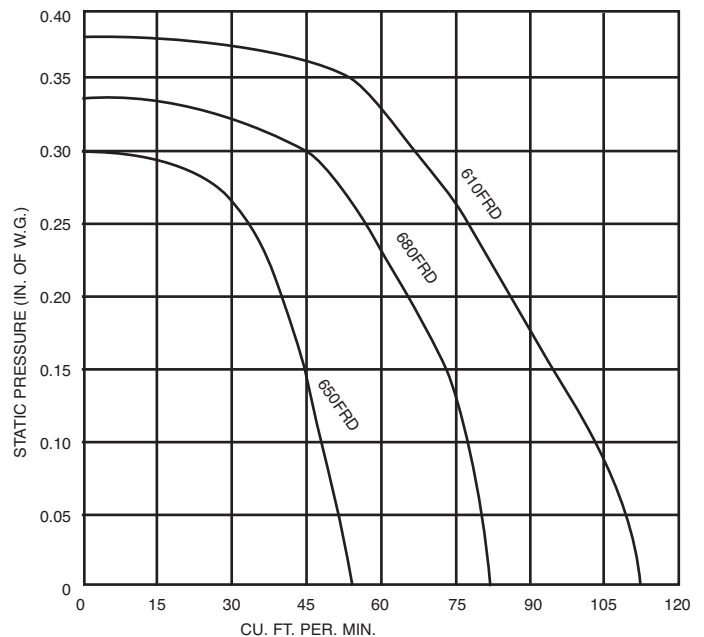
Fan:

- Rugged 22-gage plated steel housing with pre-mounted round metal duct adapter and integral back draft damper.
- Plug-in totally enclosed permanently lubricated motor.
- Spring-mounted low profile white painted grille.
- Combination mounting brackets included for installation between ceiling joist or drop-in ceilings.

Radiation Damper:

- 22-gage galvanized steel frame, with stainless steel springs, can be easily removed for replacement or cleaning.
- High heat, non-asbestos ceramic blanket.
- Replaceable 165 Degree F fusible link.
- UL and cUL listed for 3-hour fire resistance rating.

PERFORMANCE DATA



SUGGESTED SPECIFICATIONS

Ventilation Fan with built-in Radiation Damper shall be Marley Engineered Products. Housing shall be made of rust resistant plated steel and have adjustable mounting brackets. It should have steel pre-assembled duct fitting with built-in backdraft damper. Blower shall be removable and have a centrifugal blower wheel. Motor shall be plug-in, totally enclosed and permanently lubricated. Grille shall be painted steel and spring mounted. Ventilation fan shall bear the HVI certified seal and the cULus label. Radiation damper shall be cULus Ceiling Fire-Stop Damper rated for use in up to three ceiling construction. Radiation damper shall be easily removable after installation for cleaning or replacement.



SPECIFICATIONS

HVI CERTIFIED RATINGS

SQ. FT

MODEL	DUCT SIZE	ROUGH-IN OPENING	AMPS	CFM	SONES	BATH	OTHER
650FRD	3"	8-1/4" X 9-1/4"	.76	50	2.5	45	65
680FRD	4"	8-1/4" X 9-1/4"	.35	80	2.5	75	95
610FRD	4"	8-1/4" X 9-1/4"	.60	100	3.0	95	125

REFERENCE	QTY.	REMARKS	Project
			Location
			Architect
			Engineer
			Contractor
			Submitted By
			Date