

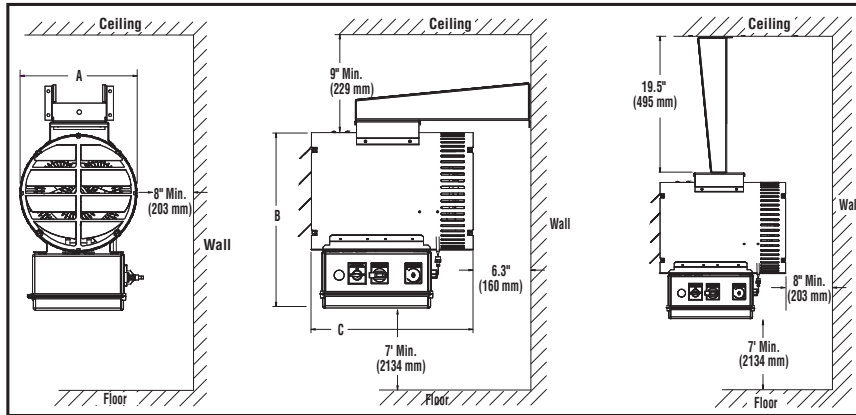


A Marley Engineered Products Brand

470 Beauty Spot Rd. E, Bennettsville, SC 29512

**SUBMITTAL SHEET  
TYPE BWD  
WASH-DOWN UNIT HEATERS**

**TYPE BWD - WASH-DOWN UNIT HEATERS**



See unit dimensions on back page

CAPACITIES	
2, 3, 5, 7.5, 10, 12.5, 15, 20 KW	120, 208, 240, 277, 480, 600*V
	1Ø or 3Ø
(Varies with Model)	
25, 30, 39 KW	208, 240, 480V
	3Ø only

\*Only for 5-10kw



JOB NAME: \_\_\_\_\_

LOCATION: \_\_\_\_\_

ARCHITECT: \_\_\_\_\_

ENGINEER: \_\_\_\_\_

CONTRACTOR: \_\_\_\_\_

SUBMITTED BY: \_\_\_\_\_

DATE: \_\_\_\_\_

ITEM	QTY.	CATALOG NUMBER	TAG	KW	VOLTS	Ø	AMPS

ACCESSORIES  
AND  
CONTROLS

ITEM	QTY.	CAT. NO.	TAG	DESCRIPTION

SUBMITTED BY:	DATE	APPROVED BY:	DATE

**SELECTION CHART**

MODEL NUMBER	KW	VOLTS	PHASE	OUTPUT BTU/HR	HEATER AMPS	MOTOR VOLTS	MOTOR PHASE	MOTOR AMPS	TEMP RISE	CFM	SHIP WEIGHT LBS (KG)
BWD02112	2	120	1	6,824	16.7	120	1	1.554	9	700	60 (27.2)
BWD02812	2	208	1	6,824	9.6	208	1	0.896	9	700	60 (27.2)
BWD02212	2	240	1	6,824	8.3	240	1	0.777	9	700	60 (27.2)
BWD03112	3	120	1	10,236	25.0	120	1	1.554	14	700	60 (27.2)
BWD03812	3	208	1	10,236	14.4	208	1	0.896	14	700	60 (27.2)
BWD03212	3	240	1	10,236	12.5	240	1	0.777	14	700	60 (27.2)
BWD03712	3	277	1	10,236	10.8	277	1	0.673	14	700	60 (27.2)
BWD03832	3	208	3	10,236	8.3	208	1	0.896	14	700	60 (27.2)
BWD03232	3	240	3	10,236	7.2	240	1	0.777	14	700	60 (27.2)
BWD03432	3	480	3	10,236	3.6	480	1	0.388	14	700	60 (27.2)
BWD05812	5	208	1	17,060	24.0	208	1	0.896	23	700	60 (27.2)
BWD05212	5	240	1	17,060	20.8	240	1	0.777	23	700	60 (27.2)
BWD05712	5	277	1	17,060	18.1	277	1	0.673	23	700	60 (27.2)
BWD05412	5	480	1	17,060	10.4	480	1	0.388	23	700	60 (27.2)
BWD05832	5	208	3	17,060	13.9	208	1	0.896	23	700	60 (27.2)
BWD05232	5	240	3	17,060	12.0	240	1	0.777	23	700	60 (27.2)
BWD05432	5	480	3	17,060	6.0	480	1	0.388	23	700	60 (27.2)
BWD05632	5	600	3	17,060	7.2	240	1	1.8	23	1450	75 (34)
BWD07812	7.5	208	1	25,590	36.1	208	1	0.896	34	700	60 (27.2)
BWD07212	7.5	240	1	25,590	31.3	240	1	0.777	34	700	60 (27.2)
BWD07712	7.5	277	1	25,590	27.1	277	1	0.673	34	700	60 (27.2)
BWD07412	7.5	480	1	25,590	15.6	480	1	0.388	34	700	60 (27.2)
BWD07832	7.5	208	3	25,590	20.8	208	1	0.896	34	700	60 (27.2)
BWD07232	7.5	240	3	25,590	18.0	240	1	0.777	34	700	60 (27.2)
BWD07432	7.5	480	3	25,590	9.0	480	1	0.388	34	700	60 (27.2)
BWD07632	7.5	600	3	25,590	7.2	240	1	1.8	34	1450	75 (34)
BWD10212	10	240	1	34,120	41.7	240	1	0.777	22	1450	60 (27.2)
BWD10712	10	277	1	34,120	36.1	277	1	0.673	22	1450	60 (27.2)
BWD10412	10	480	1	34,120	20.8	480	1	0.388	22	1450	60 (27.2)
BWD10832	10	208	3	34,120	27.8	208	1	0.896	22	1450	60 (27.2)
BWD10232	10	240	3	34,120	24.1	240	1	0.777	22	1450	60 (27.2)
BWD10432	10	480	3	34,120	12.0	480	1	0.388	22	1450	60 (27.2)
BWD10632	10	600	3	34,120	9.6	240	1	1.8	33	2400	75 (34)
BWD12812	12.5	208	1	42,650	60.1	208	1	1.793	27	1450	60 (27.2)
BWD12212	12.5	240	1	42,650	52.1	240	1	1.554	27	1450	60 (27.2)
BWD12832	12.5	208	3	42,650	34.7	208	1	1.793	27	1450	60 (27.2)
BWD12232	12.5	240	3	42,650	30.1	240	1	1.554	27	1450	60 (27.2)
BWD12432	12.5	480	3	42,650	15.0	480	1	0.777	27	1450	60 (27.2)
BWD15812	15	208	1	51,180	72.1	208	1	1.793	20	2400	110 (49.9)
BWD15212	15	240	1	51,180	62.5	240	1	1.554	20	2400	110 (49.9)
BWD15412	15	480	1	51,180	31.3	480	1	0.777	20	2400	110 (49.9)
BWD15832	15	208	3	51,180	41.6	208	1	1.793	20	2400	110 (49.9)
BWD15232	15	240	3	51,180	36.1	240	1	1.554	20	2400	110 (49.9)
BWD15432	15	480	3	51,180	18.0	480	1	0.777	20	2400	110 (49.9)
BWD20412	20	480	1	68,240	41.7	480	1	0.777	26	2400	120 (54.4)
BWD20232	20	240	3	68,240	48.1	240	1	1.554	26	2400	120 (54.4)
BWD20432	20	480	3	68,240	24.1	480	1	0.777	26	2400	120 (54.4)
BWD25832	25	208	3	85,300	69.4	208	1	1.793	33	2400	120 (54.4)
BWD25232	25	240	3	85,300	60.1	240	1	1.554	33	2400	120 (54.4)
BWD25432	25	480	3	85,300	30.1	480	1	0.777	33	2400	120 (54.4)
BWD30832	30	208	3	102,360	83.3	208	1	1.793	39	2400	120 (54.4)
BWD30232	30	240	3	102,360	72.2	240	1	1.554	39	2400	120 (54.4)
BWD30432	30	480	3	102,360	36.1	480	1	0.777	39	2400	120 (54.4)
BWD39432	39	480	3	133,068	46.9	480	1	0.777	51	2400	120 (54.4)

All units other than standard models are non-returnable.

**Factory Installed Accessories**

CATALOG NUMBER	DESCRIPTION
T	Thermostat
L	Pilot Light
S	Mode/Selector Switch
D	Disconnect Switch
E	Monel Element*
M	Manual Reset
P	Epoxy Coating

\* Monel elements are subject to longer lead times - contact factory for details.

kW	Dimensions Inches (mm)			
	A	B	C	D
2-10	13 (330)	19.5 (495)	18 (457)	19.5 (495)
12.5-39.0	20 (508)	31 (787)	27 (686)	24.2 (615)

**ARCHITECT'S AND ENGINEER'S SPECIFICATIONS**

Corrosion resistant unit heater(s) shall be supplied by Berko, A Marley Engineered Products Brand, Bennettsville, SC. The unit heater(s) shall be UL listed for corrosive areas and NEMA4X wash down requirements.

**HEATING ELEMENTS:** The heating elements shall be corrosion resistant 300 stainless steel sheathed with 316 stainless steel fins for maximum heat dissipation. The elements are to be attached to junction box with leak-resistant stainless steel fittings.

**CONTROL CENTER:** The controls are completely factory prewired and tested and enclosed in a NEMA4X molded fiberglass control enclosure mounted beneath the heater cabinet. The control center shall include contactors,

automatic reset over-temperature protector, fan delay relay, motor contactor and fused transformer for 24V control circuit. Convenient terminal blocks are included for remote thermostat connection.

**FAN AND MOTOR ASSEMBLY:** The fan and motor assembly shall include a totally enclosed, permanently lubricated, ball bearing motor, epoxy coated for corrosion resistance. Motor rating shall be 1/4 hp up to 10KW. 1/2 hp for 208V and 3/4 hp for 240/480 for units above 10kw. The fan shall be aluminum with corrosion resistant coating, directly connected to the motor, and be dynamically balanced. An epoxy sealed thermal fan delay shall be provided to allow the fan to continue to operate after heating thermostat has been satisfied to maximize

transfer of generated heat to space being heated. The fan and motor shall be protected by an adjustable louvered outlet grille to direct flow up or down, painted with one coat zinc chromate primer and two coats of corrosion resistant paint.

**OVER-TEMPERATURE PROTECTION:** Built in over temperature protection shall be provided by an automatic reset thermal cutout.

**HEATER CASE:** The heater case shall be constructed of heavy 16 gauge type 304 stainless steel for corrosion resistance and assembled with stainless steel hardware. A stainless steel combination wall and ceiling swivel type mounting bracket to be supplied with unit heater.