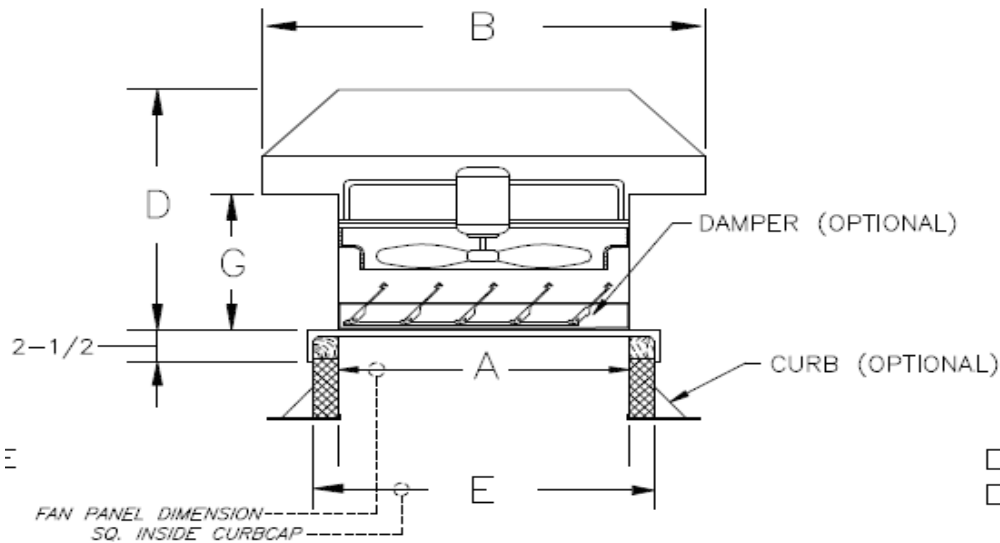


PROJECT _____	ENGINEER _____	SUBMITTED BY _____
DATE _____	ARCHITECT _____	NOTES: _____
SHEET _____ OF _____	CONTRACTOR _____	NOTES: _____



Note: When ordering, add suffixes as follows: Exhaust = E; Intake = I

**Specifications:**

24" to 60" sizes available with 115/230V, 1PH or 230/460V, 3PH belt drive industrial quality motors, factory assembled and tested.  
 Standard blade is heavy gauge steel.  
 Heavy industrial steel base with aluminum hood.  
 Self aligning pillow block bearings with locking collars.  
 Bird screen included at top of housing.

**Accessories:**

Flat, slope or ridge style insulated roof curbs, back draft dampers and filters.

**Options Available:**

Non-sparking cast aluminum blades with static free belts for explosion proof requirements. Protective coatings and variable pitch pulleys. (Consult Factory)

Fan Size	A	B	D	E	G
24"	30"	54"x64"	41-1/2"	39"	25-1/2"
30"	36"	60"x76"	44-1/2"	45"	25-1/2"
36"	42"	72"x82"	45-1/2"	51"	27-1/2"
42"	48"	80"x89"	45-1/2"	57"	27-1/2"
48"	54"	87"x95"	49-1/2"	63"	29-1/2"
54"	60"	92"x98"	50-1/2"	69"	29-1/2"
60"	66"	90"x107"	54-1/2"	75"	31-1/2"

ITEM	QTY.	MARK	MODEL NUMBER	FAN SIZE	EXHAUST / SUPPLY	MOTOR HP	VOLTS	PHASE	MOTOR TYPE TE / EXP	RPM	CFM @ 0" SP	APPROX. WEIGHT